

EDI Guide

Despatch Advice (DESADV)

Electronic Data Interchange for Furniture

based on
EANCOM 2012

Version: 1.1
Variant: DCC-FURN
Published: 21.02.2025
Author: Integrated Worlds

Contact

Daten Competence Center e. V.
Dr.-Ing. Olaf Plümer
Geschäftsführer
Goebenstraße 4-10
32052 Herford
Tel.: +49 52 21 / 12 65 37
Fax.: +49 52 21 / 12 65 5 37

E-Mail: pluemer@dcc-moebel.org
Info: www.dcc-moebel.org



**Daten
Competence
Center e. V.**

Table of Contents

1 Structure.....	3
2 Diagram	6
3 Segments.....	16
4 Examples	79
5 EUDR Datapoints.....	85

Document Structure

Index	No.	Tag	St	MaxWdh	Level	Description
0000	1	UNA	C	1	0	Service string advice
0000	2	UNB	M	1	0	Interchange header
Message header						
0010	3	UNH	M	1	0	Message header
0020	4	BGM	M	1	0	Document type and document number
0030	5	DTM	C	1	1	Document date
0030	6	DTM	C	1	1	Shipping date
0030	7	DTM	C	1	1	Estimated delivery date
0030	8	DTM	C	1	1	Discharge duration
0030	9	DTM	C	10	1	Additional dates
0050	10	MEA	C	5	1	Total number of packages
0050	11	MEA	C	5	1	Total weight
0050	12	MEA	C	5	1	Total volume
0080		SG1	R	1	1	Reference / Order number
0090	13	RFF	M	1	1	Order number
0100	14	DTM	C	1	2	Date of the order document
0080		SG1	O	2	1	Reference / Commission number
0090	15	RFF	M	1	1	Commission number
0080		SG1	O	1	1	Reference / Order response
0090	16	RFF	M	1	1	Order response number
0080		SG1	O	10	1	Additional reference information
0090	17	RFF	M	1	1	Reference
0100	18	DTM	O	1	2	Document creation date
0110		SG2	R	99	1	Names and addresses of the parties involved
0120	19	NAD	M	1	1	Name and address
0140		SG3	C	10	2	Sales tax ID
0150	20	RFF	M	1	2	Sales tax ID
0140		SG3	O	1	2	Tax number
0150	21	RFF	M	1	2	Tax number
0140		SG3	O	1	2	Identification number at the central regulator
0150	22	RFF	M	1	2	Identification number at the central regulator
0140		SG3	O	1	2	customer number
0150	23	RFF	M	1	2	customer number
0170		SG4	O	10	2	Contact person and communication data
0180	24	CTA	M	1	2	Contact person or department
0190	25	COM	O	5	3	Communication contact
0240		SG6	C	10	1	Transportation information
0250	26	TDI	M	1	1	Details of transport
Packaging hierarchy						
0390		SG10	C	9999	1	Position part
0400	27	CPS	M	1	1	Consignment packing sequence

Tag = Segment-/Group-Name
 Index = Segment Index Number (in Standard)
 No. = Unique Segment-Number in Guide
 MaxOcc = Max. Occurrence in Segment/Group

St = Status
 EDIFACT: M=Mandatory, C=Conditional
 Usage: R=Required, O=Optional, D=Dependent, A=Advised,
 N=Not used

Document Structure

Index	No.	Tag	St	MaxWdh	Level	Description
0430		SG11	C	9999	2	Package
0440	28	PAC	M	1	2	Package
0450	29	MEA	C	10	3	Measurements
0500		SG13	C	1000	3	Package marking
0510	30	PCI	M	1	3	Type of marking
0570		SG15	C	99	4	Shipping unit number
0580	31	GIN	M	1	4	Shipment number

1. Item part for an invoiced unit (basic article, assortment, container, set ...)

0650		SG17	C	9999	2	Item position
0660	32	LIN	M	1	2	Item position
0670	33	PIA	O	4	3	Additional part numbers
0670	34	PIA	O	1	3	Series / Program
0670	35	PIA	O	4	3	Customs tariff / Batch number
0680	36	IMD	O	1	3	Article description
0690	37	MEA	O	10	3	Measurements
0700	38	QTY	C	10	3	Quantity delivered
0700	39	QTY	C	10	3	Quantity ordered
0700	40	QTY	C	10	3	Quantity free
0710	41	ALI	C	10	3	Country of origin of the item
0750	42	DTM	C	5	3	Different dates
0800	43	FTX	O	99	3	Position freetext
0820		SG18	C	99	3	Reference to the order
0830	44	RFF	M	1	3	Reference to the order
0860	45	DTM	C	1	4	Date of the order document
0820		SG18	C	99	3	Commission number
0830	46	RFF	M	1	3	Commission number
0820		SG18	C	99	3	Reference to the order response
0830	47	RFF	M	1	3	Order response number
0860	48	DTM	C	1	4	Date of order response
0820		SG18	C	99	3	Other reference information
0830	49	RFF	M	1	3	Reference
0860	50	DTM	C	1	4	Date of the reference

2. Option of a base article (feature)

0650		SG17	O	9999	2	Option (Feature)
0660	51	LIN	M	1	2	Option / Feature
0670	52	PIA	O	10	3	Additional product id
0680	53	IMD	R	1	3	Option (flag)
0680	54	IMD	C	25	3	Item description

3. Option value of an option

0650		SG17	O	9999	2	Option value
0660	55	LIN	M	1	2	Option value

Tag = Segment-/Group-Name
 Index = Segment Index Number (in Standard)
 No. = Unique Segment-Number in Guide
 MaxOcc = Max. Occurrence in Segment/Group

St = Status
 EDIFACT: M=Mandatory, C=Conditional
 Usage: R=Required, O=Optional, D=Dependent, A=Advised,
 N=Not used

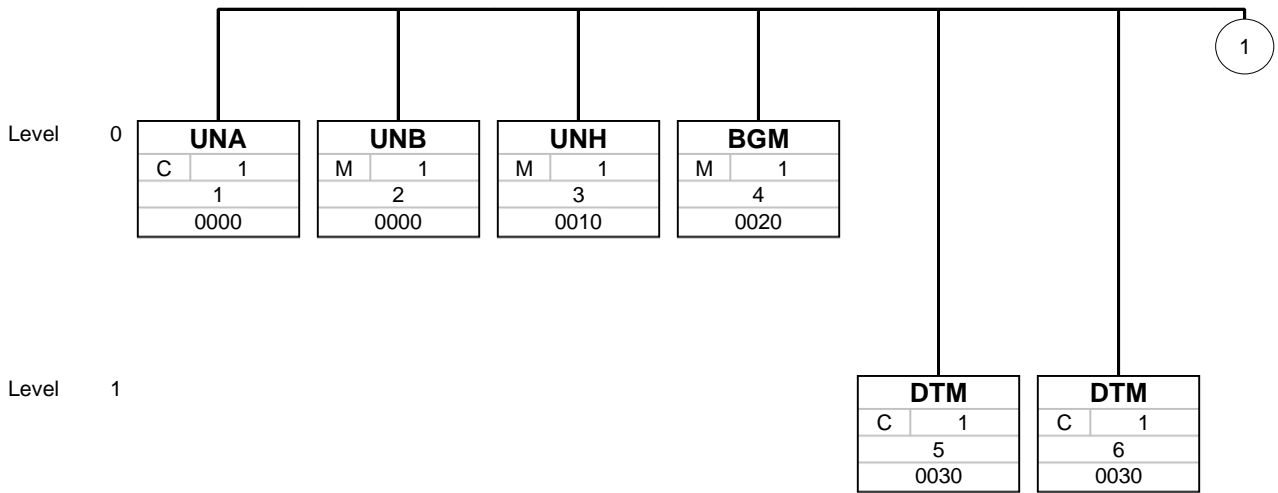
Document Structure

Index	No.	Tag	St	MaxWdh	Level	Description
0670	56	PIA	O	10	3	Additional product id
0680	57	IMD	R	25	3	Option value (flag)
0680	58	IMD	A	25	3	Name of the option value
1150	59	UNT	M	1	0	Message trailer
0000	60	UNZ	M	1	0	Interchange trailer

Tag = Segment-/Group-Name
 Index = Segment Index Number (in Standard)
 No. = Unique Segment-Number in Guide
 MaxOcc = Max. Occurrence in Segment/Group

St = Status
 EDIFACT: M=Mandatory, C=Conditional
 Usage: R=Required, O=Optional, D=Dependent, A=Advised,
 N=Not used

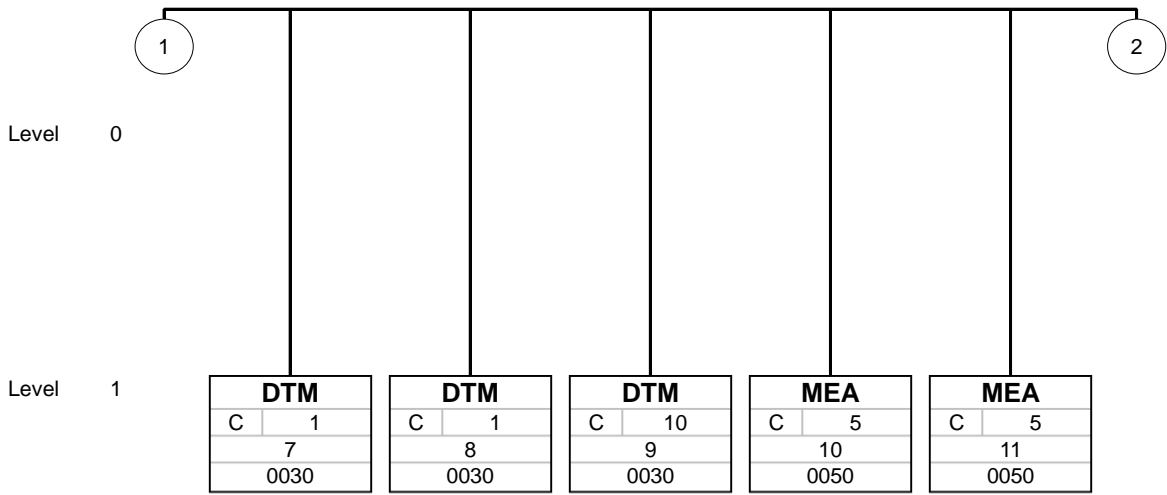
Message structure diagram (used Segments/Groups)



Name
St MaxOcc
No.
Index

Name = Segment-/Group-Name
 St = Status (M=Mandatory, C=Conditional, R=Required, O=Optional, D=Dependent, A=Advised)
 MaxOcc = Max. Occurrence of Segment/Gruppe
 No. = Segment-Number in Guide
 Index = Segmente-Number (in Standard)

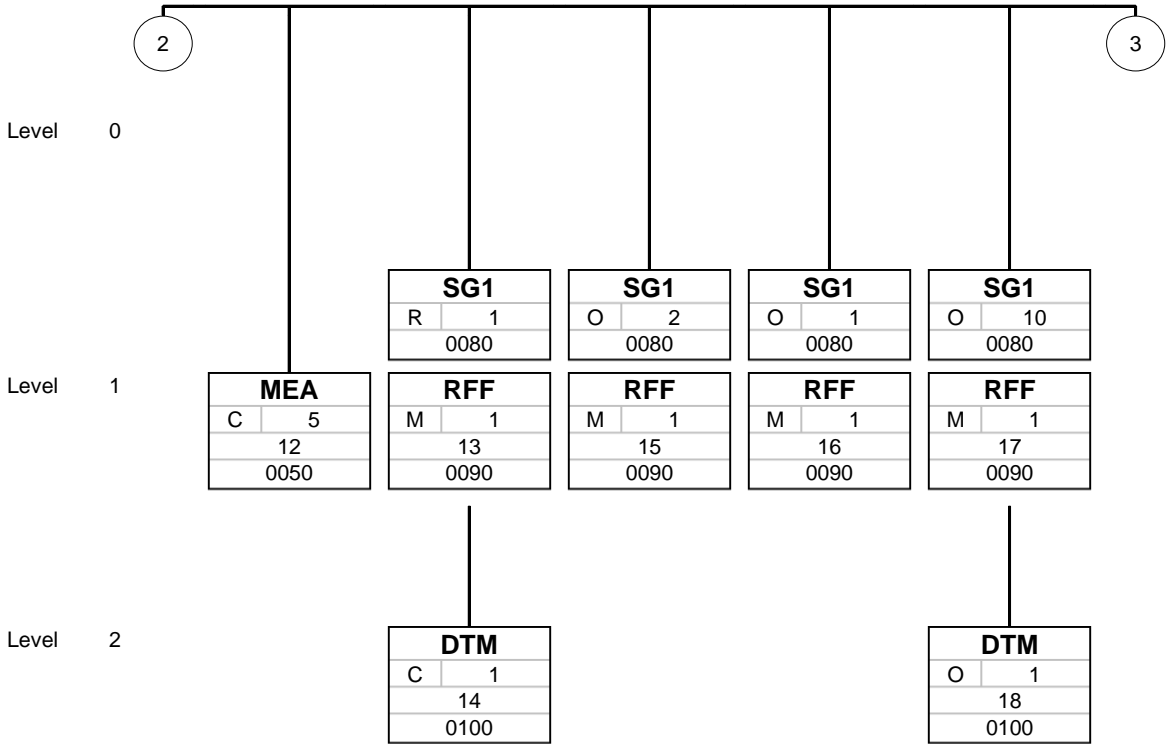
Message structure diagram (used Segments/Groups)



Name
St MaxOcc
No.
Index

Name = Segment-/Group-Name
 St = Status (M=Mandatory, C=Conditional, R=Required, O=Optional, D=Dependent, A=Advised)
 MaxOcc = Max. Occurrence of Segment/Gruppe
 No. = Segment-Number in Guide
 Index = Segmente-Number (in Standard)

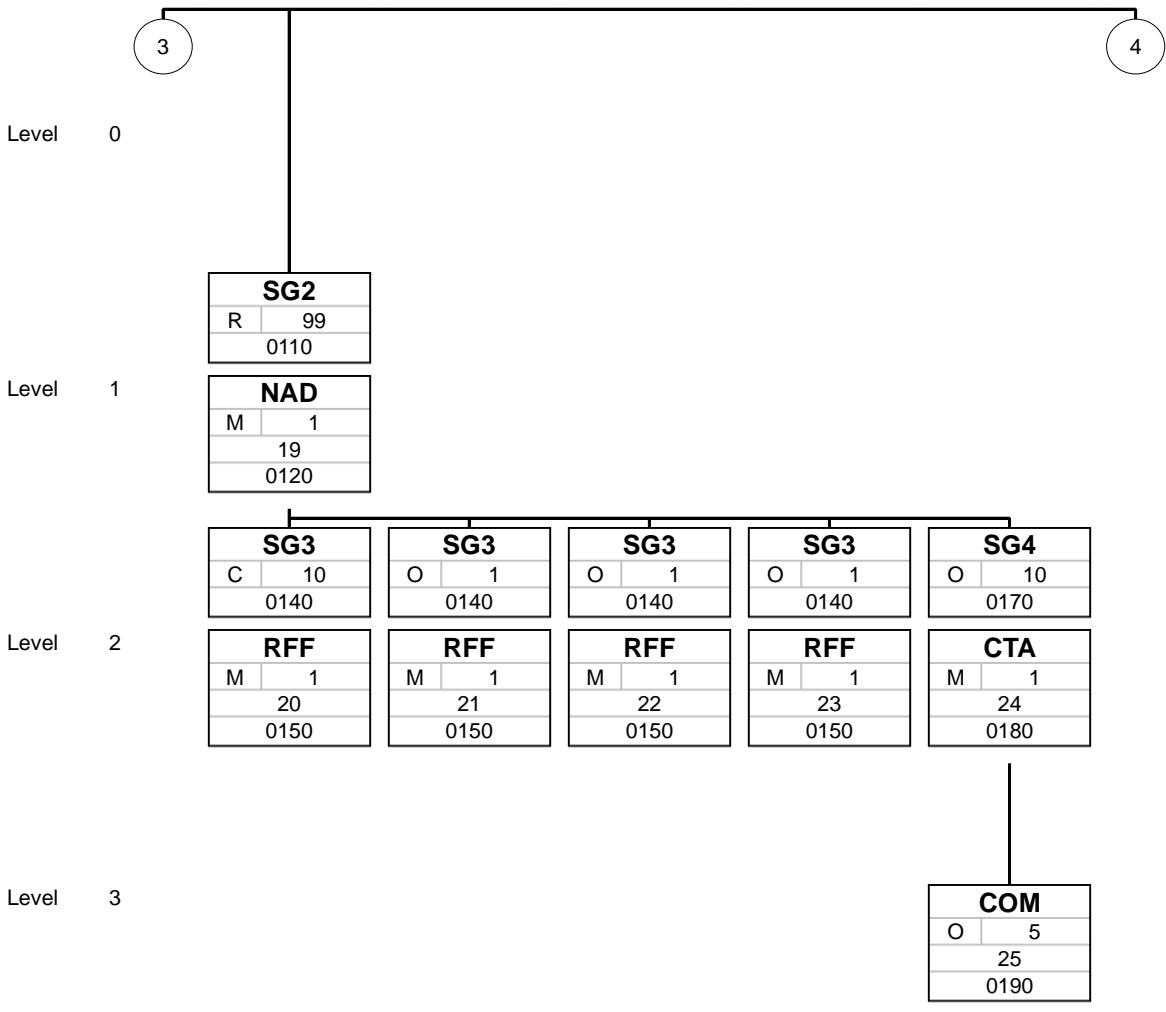
Message structure diagram (used Segments/Groups)



Name
St MaxOcc
No.
Index

Name = Segment-/Group-Name
 St = Status (M=Mandatory, C=Conditional, R=Required, O=Optional, D=Dependent, A=Advised)
 MaxOcc = Max. Occurrence of Segment/Gruppe
 No. = Segment-Number in Guide
 Index = Segmente-Number (in Standard)

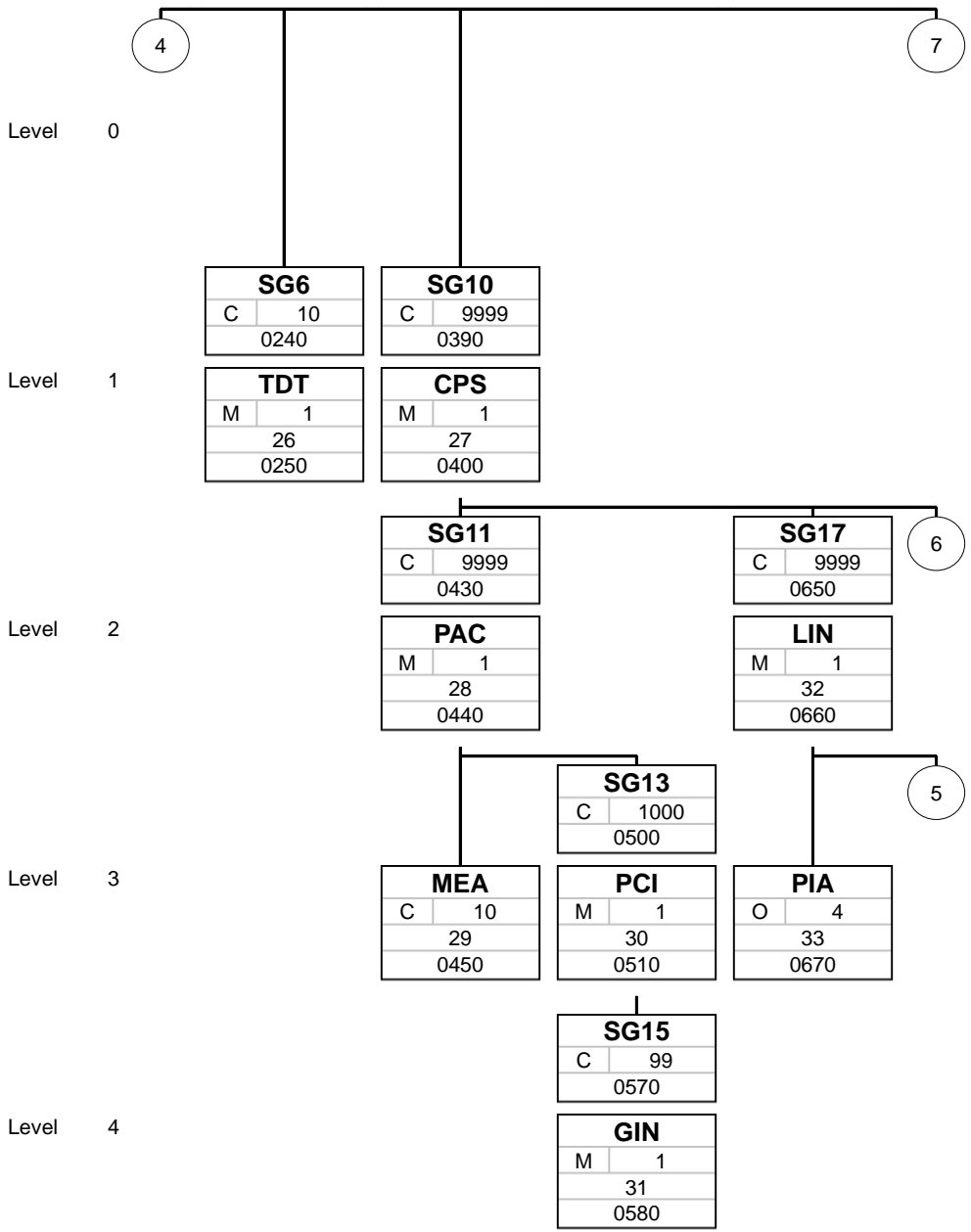
Message structure diagram (used Segments/Groups)



Name
St MaxOcc
No.
Index

Name = Segment-/Group-Name
 St = Status (M=Mandatory, C=Conditional, R=Required, O=Optional, D=Dependent, A=Advised)
 MaxOcc = Max. Occurence of Segment/Gruppe
 No. = Segment-Number in Guide
 Index = Segmente-Number (in Standard)

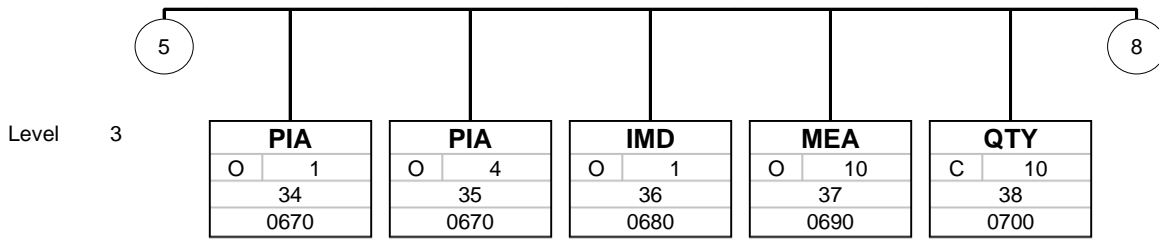
Message structure diagram (used Segments/Groups)



Name
St MaxOcc
No.
Index

Name = Segment-/Group-Name
 St = Status (M=Mandatory, C=Conditional, R=Required, O=Optional, D=Dependent, A=Advised)
 MaxOcc = Max. Occurence of Segment/Gruppe
 No. = Segment-Number in Guide
 Index = Segmente-Number (in Standard)

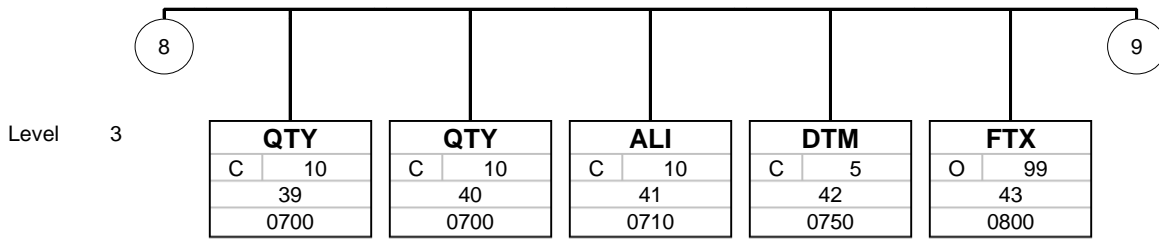
Message structure diagram (used Segments/Groups)



Name
St MaxOcc
No.
Index

Name = Segment-/Group-Name
 St = Status (M=Mandatory, C=Conditional, R=Required, O=Optional, D=Dependent, A=Advised)
 MaxOcc = Max. Occurrence of Segment/Gruppe
 No. = Segment-Number in Guide
 Index = Segmente-Number (in Standard)

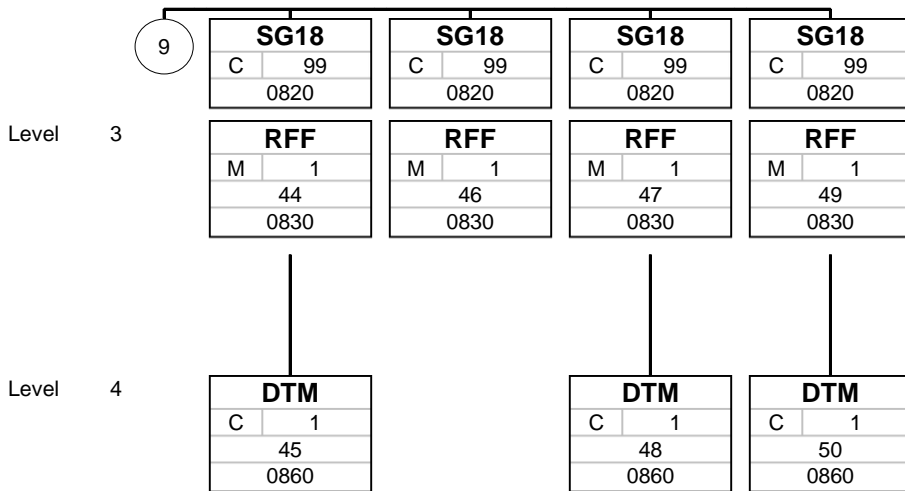
Message structure diagram (used Segments/Groups)



Name
St MaxOcc
No.
Index

Name = Segment-/Group-Name
 St = Status (M=Mandatory, C=Conditional, R=Required, O=Optional, D=Dependent, A=Advised)
 MaxOcc = Max. Occurrence of Segment/Gruppe
 No. = Segment-Number in Guide
 Index = Segmente-Number (in Standard)

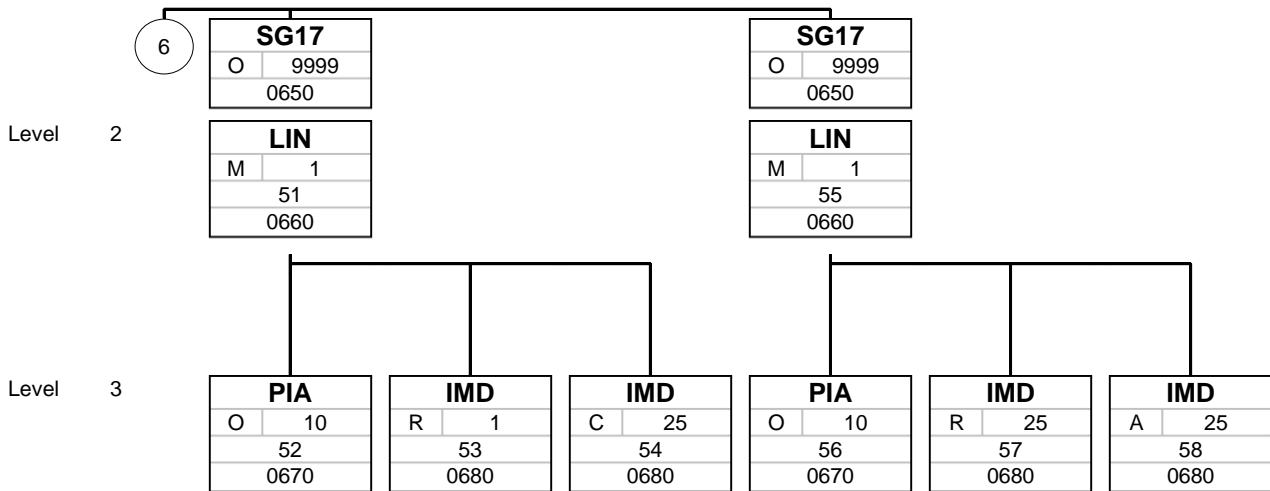
Message structure diagram (used Segments/Groups)



Name
St MaxOcc
No.
Index

Name = Segment-/Group-Name
 St = Status (M=Mandatory, C=Conditional, R=Required, O=Optional, D=Dependent, A=Advised)
 MaxOcc = Max. Occurrence of Segment/Gruppe
 No. = Segment-Number in Guide
 Index = Segmente-Number (in Standard)

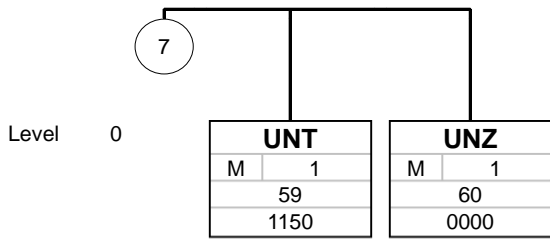
Message structure diagram (used Segments/Groups)



Name
St MaxOcc
No.
Index

Name = Segment-/Group-Name
 St = Status (M=Mandatory, C=Conditional, R=Required, O=Optional, D=Dependent, A=Advised)
 MaxOcc = Max. Occurrence of Segment/Gruppe
 No. = Segment-Number in Guide
 Index = Segmente-Number (in Standard)

Message structure diagram (used Segments/Groups)



Name
St MaxOcc
No.
Index

Name = Segment-/Group-Name
 St = Status (M=Mandatory, C=Conditional, R=Required, O=Optional, D=Dependent, A=Advised)
 MaxOcc = Max. Occurrence of Segment/Gruppe
 No. = Segment-Number in Guide
 Index = Segmente-Number (in Standard)

Segments

Index	No.	Tag	St	MaxOcc	Level	Description
0000	1	UNA	C	1	0	Service string advice

Standard			Implementation	
Name	Name	St Format	St Format	Usage / Remark
UNA				
UNA1	Component data element separator	M an1	M an1	: Composite separator
UNA2	Data element separator	M an1	M an1	+ Segment separator
UNA3	Decimal notation	M an1	M an1	. Decimal point
UNA4	Release indicator	M an1	M an1	? Masking character
UNA5	Reserved for future use	M an1	M an1	Space character
UNA6	Segment terminator	M an1	M an1	' Segment terminator character

Remark:

This segment defines the characters reserved for this format.
Only the Edifact standard characters specified here apply to this format.

Example:

UNA:+.?'

Tag = Object-Name
 No. = Segment-Number in Guide
 MaxOcc = Max. Occurence of Segment/Group
 Index = Index-Number of Segment/Group (in Standard)

St = Status
 EDIFACT: M=Mandatory, C=Conditional
 Usage: R=Required, O=Optional, D=Dependent, A=Advised,
 N=Not used

Segments

Index No.	Tag	St	MaxOcc	Level	Description	
0000	2	UNB	M	1	0	Interchange header

Standard			Implementation	
Name	Name	St Format	St Format	Usage / Remark
UNB				
S001	Syntax identifier	M	M	
0001	Syntax identifier	M a4	M a4	UNOC UN/ECE level C
0002	Syntax version number	M n1	M n1	3 Version 3
S002	Interchange sender	M	M	
0004	Sender identification	M an..35	R an..35	Sender identifier (GLN)
0007	Partner identification code qualifier	C an..4	R an..4	14 GS1 ZZZ bilaterally agreed
S003	Interchange recipient	M	M	
0010	Recipient identification	M an..35	R an..35	Receiver identifier (GLN)
0007	Partner identification code qualifier	C an..4	R an..4	14 GS1 ZZZ bilaterally agreed
0014	Routing address	C an..14	C an..14	Forwarding address (GLN) Only if bilaterally agreed. The recipient is responsible for the forwarding.
S004	Date/time of preparation	M	M	
0017	Date of preparation	M n6	M n6	Creation date of the EDIFACT file (YYMMDD)
0019	Time of preparation	M n4	M n4	Creation time of the EDIFACT file (HHMM)
0020	Interchange control reference	M an..14	M an..14	Unique data exchange reference number (file counter). Corresponds to the specification in UNZ 0020.
S005	Recipient's reference, password	C	N	
0022	Recipient's reference/password	M an..14	N	Not used
0026	Application reference	C an..14	O an..14	name and version number of the sending system
0029	Processing priority code	C a1	N	Not used
0031	Acknowledgement request	C n1	N	Not used
0032	Communications agreement ID	C an..35	R an..35	= "DCC-FURN-V1.1"

Remark:

This segment is used to uniquely identify the sender and recipient of the message.
 The actual technical participant is specified here. This may differ from the information in the NAD segments.
 Technical sender and recipient must be identifiable by a unique identification number (GLN).

In exceptional cases, other identification numbers that are not GLNs can also be used here. In these cases, the qualifier ZZZ must be used after bilateral agreement between sender and receiver.

Example:

UNB+UNOC:3+4399901793453:14+4041116000009:14:4139916000005+180427:1630+1+++++DCC-FURN-V1.1'

The sender of the message is 4399901793453, the recipient is 4041116000009.

The message was created on 27.04.2018 at 16:30h and has the unique reference number 58300544.

Tag = Object-Name
 No. = Segment-Number in Guide
 MaxOcc = Max. Occurrence of Segment/Group
 Index = Index-Number of Segment/Group (in Standard)

St = Status
 EDIFACT: M=Mandatory, C=Conditional
 Usage: R=Required, O=Optional, D=Dependent, A=Advised,
 N=Not used

Segments

Index No.	Tag	St	MaxOcc	Level	Description
-----------	-----	----	--------	-------	-------------

Message header

0010	3	UNH	M	1	0	Message header
------	---	-----	---	---	---	----------------

Standard			Implementation	
Name	Name	St Format	St Format	Usage / Remark
UNH				
0062	Message reference number	M an..14	M an..14	Unique message reference of the sender. Identical to DE 0062 in UNT.
S009	Message identifier	M	M	
0065	Message type	M an..6	M an..6	DESADV Despatch advice message
0052	Message version number	M an..3	M an..3	D Draft version/UN/EDIFACT Directory
0054	Message release number	M an..3	M an..3	01B Release 2001 - B
0051	Controlling agency	M an..2	M an..2	UN UN/CEFACT
0057	Association assigned code	C an..6	R an..6	EAN010 GS1 version control number (GS1 Permanent Code)

Remark:

This segment is used to open a message document.

Example:

UNH+1+DESADV:D:01B:UN:EAN010'

This message is an Edifact DESADV.

Tag = Object-Name
 No. = Segment-Number in Guide
 MaxOcc = Max. Occurrence of Segment/Group
 Index = Index-Number of Segment/Group (in Standard)

St = Status
 EDIFACT: M=Mandatory, C=Conditional
 Usage: R=Required, O=Optional, D=Dependent, A=Advised, N=Not used

Segments

Index No.	Tag	St	MaxOcc	Level	Description
-----------	-----	----	--------	-------	-------------

Message header

0020	4	BGM	M	1	0	Document type and document number
------	---	------------	---	---	---	-----------------------------------

			Standard	Implementation		
Name	Name	St	Format	St	Format	Usage / Remark
BGM						
C002	Document/message name	C		R		
1001	Document name code	C	an..3	C	an..3	351 Despatch advice
C106	Document/message identification	C		R		
1004	Document identifier	C	an..35	R	an..35	Document number
1225	Message function code	C	an..3	R	an..3	Document control indicator 9 Original

Remark:

In this segment the document type and the unique document number of the document issuer are specified

Example:

BGM+351+L2423273+9'

This document is a delivery notification with document number L2423273.

Tag = Object-Name
 No. = Segment-Number in Guide
 MaxOcc = Max. Occurrence of Segment/Group
 Index = Index-Number of Segment/Group (in Standard)

St = Status
 EDIFACT: M=Mandatory, C=Conditional
 Usage: R=Required, O=Optional, D=Dependent, A=Advised,
 N=Not used

Segments

Index No.	Tag	St	MaxOcc	Level	Description
-----------	-----	----	--------	-------	-------------

Message header

0030	5	DTM	C	1	1	Document date
------	---	------------	---	---	---	---------------

			Standard	Implementation	
Name	Name	St Format	St Format	St Format	Usage / Remark
DTM					
C507	Date/time/period	M	M		
2005	Date or time or period function code qualifier	M an..3	M an..3		Specifies the function of the date. 137 Document/message date/time
2380	Date or time or period value	C an..35	C an..35		Document date
2379	Date or time or period format code	C an..3	R an..3		102 CCYYMMDD

Remark:

The creation date of the document.
Must be specified with code value 137 in the message

Example:

DTM+137:20190227:102'

The document was created on 27.02.2019.

Tag = Object-Name
No. = Segment-Number in Guide
MaxOcc = Max. Occurrence of Segment/Group
Index = Index-Number of Segment/Group (in Standard)

St = Status
EDIFACT: M=Mandatory, C=Conditional
Usage: R=Required, O=Optional, D=Dependent, A=Advised, N=Not used

Segments

Index No.	Tag	St	MaxOcc	Level	Description
-----------	-----	----	--------	-------	-------------

Message header

0030	6	DTM	C	1	1	Shipping date
------	---	------------	---	---	---	---------------

			Standard	Implementation	
Name	Name	St Format	St Format	Usage / Remark	
DTM					
C507	Date/time/period	M	M		
2005	Date or time or period function code qualifier	M an..3	M an..3		11 Despatch date and/or time
2380	Date or time or period value	C an..35	R an..35		Shipping date
2379	Date or time or period format code	C an..3	R an..3		102 CCYYMMDD

Remark:

Date when the goods will be shipped

Example:

DTM+11:20190228:102'

The goods will be shipped on 02/28/2019

Tag = Object-Name
 No. = Segment-Number in Guide
 MaxOcc = Max. Occurrence of Segment/Group
 Index = Index-Number of Segment/Group (in Standard)

St = Status
 EDIFACT: M=Mandatory, C=Conditional
 Usage: R=Required, O=Optional, D=Dependent, A=Advised,
 N=Not used

Segments

Index No.	Tag	St	MaxOcc	Level	Description
-----------	-----	----	--------	-------	-------------

Message header

0030 7 **DTM** C 1 1 Estimated delivery date

Standard			Implementation	
Name	Name	St Format	St Format	Usage / Remark
DTM				
C507	Date/time/period	M	M	
2005	Date or time or period function code qualifier	M an..3	M an..3	17 Delivery date/time, estimated
2380	Date or time or period value	C an..35	R an..35	Estimated delivery date
2379	Date or time or period format code	C an..3	R an..3	102 CCYYMMDD

Remark:

Date when the goods are expected to be delivered

Example:

DTM+17:20180428:102'

The goods are expected to be delivered on 03.03.2019

Tag = Object-Name
 No. = Segment-Number in Guide
 MaxOcc = Max. Occurrence of Segment/Group
 Index = Index-Number of Segment/Group (in Standard)

St = Status
 EDIFACT: M=Mandatory, C=Conditional
 Usage: R=Required, O=Optional, D=Dependent, A=Advised, N=Not used

Segments

Index No.	Tag	St	MaxOcc	Level	Description
-----------	-----	----	--------	-------	-------------

Message header

0030	8	DTM	C	1	1	Discharge duration
------	---	------------	---	---	---	--------------------

Standard			Implementation	
Name	Name	St Format	St Format	Usage / Remark
DTM				
C507	Date/time/period	M	M	
2005	Date or time or period function code qualifier	M an..3	R an..3	420 Discharge duration
2380	Date or time or period value	C an..35	R an..35	Discharge duration
2379	Date or time or period format code	C an..3	R an..3	803 Week 804 Day 805 Hour 806 Minute

Remark:

Indication of how long it takes to unload the goods

Example:

DTM+420:2:805'

The discharge time is 2 hours.

Tag = Object-Name
 No. = Segment-Number in Guide
 MaxOcc = Max. Occurrence of Segment/Group
 Index = Index-Number of Segment/Group (in Standard)

St = Status
 EDIFACT: M=Mandatory, C=Conditional
 Usage: R=Required, O=Optional, D=Dependent, A=Advised, N=Not used

Segments

Index No.	Tag	St	MaxOcc	Level	Description
-----------	-----	----	--------	-------	-------------

Message Header

0030	9	DTM	C	10	1	Additional dates
------	---	------------	---	----	---	------------------

Standard			Implementation	
Name	Name	St Format	St Format	Usage / Remark
DTM				
C507	Date/time/period	M	M	
2005	Date or time or period function code qualifier	M an..3	M an..3	Date function 2 Delivery date/time, requested 191 Delivery date/time, expected 200 Pick-up/collection date/time of cargo Further qualifiers possible by bilateral agreement
2380	Date or time or period value	C an..35	R an..35	Date
2379	Date or time or period format code	C an..3	R an..3	102 CCYYMMDD

Remark:

Further qualifiers possible by bilateral agreement

Example:

DTM+191:20180428:102'

The expected delivery date is 28.04.2018

Tag = Object-Name
 No. = Segment-Number in Guide
 MaxOcc = Max. Occurrence of Segment/Group
 Index = Index-Number of Segment/Group (in Standard)

St = Status
 EDIFACT: M=Mandatory, C=Conditional
 Usage: R=Required, O=Optional, D=Dependent, A=Advised, N=Not used

Segments

Index No.	Tag	St	MaxOcc	Level	Description
-----------	-----	----	--------	-------	-------------

Message Header

0050	10	MEA	C	5	1	Total number of packages
------	----	------------	---	---	---	--------------------------

			Standard	Implementation		
Name	Name	St	Format	St	Format	Usage / Remark
MEA						
6311	Measurement purpose code qualifier	M	an..3	M	an..3	AAU Package
C502	Measurement details	C		N		
6313	Measured attribute code	C	an..3	N		Not used
C174	Value/range	C		C		
6411	Measurement unit code	M	an..3	R	an..3	PCE Piece (GS1 Temporary Code)
6314	Measurement value	C	an..18	R	an..18	Number of packages

Remark:

Here you can specify the number of packages of the entire delivery

Example:

MEA+AAU++PCE: 5'

The whole shipment consists of 5 packages

Tag = Object-Name
 No. = Segment-Number in Guide
 MaxOcc = Max. Occurrence of Segment/Group
 Index = Index-Number of Segment/Group (in Standard)

St = Status
 EDIFACT: M=Mandatory, C=Conditional
 Usage: R=Required, O=Optional, D=Dependent, A=Advised,
 N=Not used

Segments

Index No.	Tag	St	MaxOcc	Level	Description
-----------	-----	----	--------	-------	-------------

Message header

0050 11 **MEA** C 5 1 Total weight

		Standard	Implementation	
Name	Name	St Format	St Format	Usage / Remark
MEA				
6311	Measurement purpose code qualifier	M an..3	M an..3	PD Physical dimensions (product ordered)
C502	Measurement details	C	C	
6313	Measured attribute code	C an..3	C an..3	AAC Total net weight AAD Total gross weight G Gross weight
C174	Value/range	C	C	
6411	Measurement unit code	M an..3	M an..3	KGM kilogram TNE tonne (metric ton) GRM gram
6314	Measurement value	C an..18	C an..18	Total weight of the shipment

Remark:

Here you can specify the volume of the entire delivery

Example:

MEA+PD+AAD+KGM: 423.45'

The total gross weight of the shipment is 423.45 Kg

Tag = Object-Name
No. = Segment-Number in Guide
MaxOcc = Max. Occurence of Segment/Group
Index = Index-Number of Segment/Group (in Standard)

St = Status
EDIFACT: M=Mandatory, C=Conditional
Usage: R=Required, O=Optional, D=Dependent, A=Advised,
N=Not used

Segments

Index No.	Tag	St	MaxOcc	Level	Description
-----------	-----	----	--------	-------	-------------

Message Header

0050 12 **MEA** C 5 1 Total volume

Standard			Implementation	
Name	Name	St Format	St Format	Usage / Remark
MEA				
6311	Measurement purpose code qualifier	M an..3	M an..3	PD Physical dimensions (product ordered)
C502	Measurement details	C	C	
6313	Measured attribute code	C an..3	C an..3	ABJ Volume
C174	Value/range	C	C	
6411	Measurement unit code	M an..3	M an..3	CMQ cubic centimetre MTQ cubic metre
6314	Measurement value	C an..18	C an..18	Total volume of the shipment

Remark:

Here you can specify the volume of the entire delivery

Example:

MEA+PD+ABJ+MTQ: 2.46'

The total shipment volume is 2.46 m³

Tag = Object-Name
 No. = Segment-Number in Guide
 MaxOcc = Max. Occurrence of Segment/Group
 Index = Index-Number of Segment/Group (in Standard)

St = Status
 EDIFACT: M=Mandatory, C=Conditional
 Usage: R=Required, O=Optional, D=Dependent, A=Advised,
 N=Not used

Segments

Index No.	Tag	St	MaxOcc	Level	Description
0080	SG1	R	1	1	Reference / Order number
Message Header					
0090 13	RFF	M	1	1	Order number

Standard			Implementation	
Name	Name	St Format	St Format	Usage / Remark
RFF				
C506	Reference	M	M	
1153	Reference code qualifier	M an..3	M an..3	ON Order number (buyer)
1154	Reference identifier	C an..70	C an..70	Order number

Remark:

In this segment, the customer's order number is usually passed, to which all return messages refer.

Example:

RFF+ON:BE7732'

The document number of the order is BE7732

Tag = Object-Name
 No. = Segment-Number in Guide
 MaxOcc = Max. Occurrence of Segment/Group
 Index = Index-Number of Segment/Group (in Standard)

St = Status
 EDIFACT: M=Mandatory, C=Conditional
 Usage: R=Required, O=Optional, D=Dependent, A=Advised,
 N=Not used

Segments

Index No.	Tag	St	MaxOcc	Level	Description
0080	SG1	R	1	1	Reference / Order number
Message Header					
0100 14	DTM	C	1	2	Date of the order document

Standard			Implementation	
Name	Name	St Format	St Format	Usage / Remark
DTM				
C507	Date/time/period	M	M	
2005	Date or time or period function code qualifier	M an..3	M an..3	171 Reference date/time
2380	Date or time or period value	C an..35	R an..35	Order date
2379	Date or time or period format code	C an..3	R an..3	102 CCYYMMDD

Remark:

Date when the order was created (DTM+137 of the order)

Example:

DTM+171:20180115:102'

The document date of the order is 27.04.2018

Tag = Object-Name
 No. = Segment-Number in Guide
 MaxOcc = Max. Occurrence of Segment/Group
 Index = Index-Number of Segment/Group (in Standard)

St = Status
 EDIFACT: M=Mandatory, C=Conditional
 Usage: R=Required, O=Optional, D=Dependent, A=Advised, N=Not used

Segments

Index No.	Tag	St	MaxOcc	Level	Description
0080	SG1	O	2	1	Reference / Commission number
	Message header				
0090 15	RFF	M	1	1	Commission number

Standard			Implementation	
Name	Name	St Format	St Format	Usage / Remark
RFF				
C506	Reference	M	M	
1153	Reference code qualifier	M an..3	M an..3	YB4 Commission number
1154	Reference identifier	C an..70	R an..70	Commission number from customer order

Remark:

Commission number:
The customer commission of the order

Example:

RFF+YB4:OBJ2638'
The commission number is OBJ2638

Tag = Object-Name
No. = Segment-Number in Guide
MaxOcc = Max. Occurrence of Segment/Group
Index = Index-Number of Segment/Group (in Standard)

St = Status
EDIFACT: M=Mandatory, C=Conditional
Usage: R=Required, O=Optional, D=Dependent, A=Advised,
N=Not used

Segments

Index No.	Tag	St	MaxOcc	Level	Description
0080	SG1	O	1	1	Reference / Order response Message header
0090 16	RFF	M	1	1	Order response number

Standard			Implementation	
Name	Name	St Format	St Format	Usage / Remark
RFF				
C506	Reference	M	M	
1153	Reference code qualifier	M an..3	M an..3	POR Purchase order response number
1154	Reference identifier	C an..70	R an..70	Document number of the order response

Remark:

Reference to the order confirmation number

Example:

RFF+POR:AB123456'

The order response number is AB123456

Tag = Object-Name
 No. = Segment-Number in Guide
 MaxOcc = Max. Occurrence of Segment/Group
 Index = Index-Number of Segment/Group (in Standard)

St = Status
 EDIFACT: M=Mandatory, C=Conditional
 Usage: R=Required, O=Optional, D=Dependent, A=Advised,
 N=Not used

Segments

Index No.	Tag	St	MaxOcc	Level	Description
0080	SG1	O	10	1	Additional reference information
	Message header				
0090 17	RFF	M	1	1	Reference

Standard			Implementation	
Name	Name	St Format	St Format	Usage / Remark
RFF				
C506	Reference	M	M	
1153	Reference code qualifier	M an..3	M an..3	OP Reference to original sales order
1154	Reference identifier	C an..70	C an..70	Original sales order

Remark:

Additional document reference:
e.g. planning IDs or external documents
More possible after bilateral agreement

Example:

RFF+OP:27482345672'

The original sales order number (e.g. order number from online store) is 627482345672

Tag = Object-Name
No. = Segment-Number in Guide
MaxOcc = Max. Occurrence of Segment/Group
Index = Index-Number of Segment/Group (in Standard)

St = Status
EDIFACT: M=Mandatory, C=Conditional
Usage: R=Required, O=Optional, D=Dependent, A=Advised,
N=Not used

Segments

Index No.	Tag	St	MaxOcc	Level	Description
0080	SG1	O	10	1	Additional reference information
	Message header				
0100 18	DTM	O	1	2	Document creation date

Standard			Implementation	
Name	Name	St Format	St Format	Usage / Remark
DTM				
C507	Date/time/period	M	M	
2005	Date or time or period function code qualifier	M an..3	M an..3	171 Reference date/time
2380	Date or time or period value	C an..35	R an..35	Date to referenced document
2379	Date or time or period format code	C an..3	R an..3	102 CCYYMMDD

Remark:

Document creation date

Example:

DTM+171:20180131:102'

The document date of the reference document is 31.01.2018

Tag = Object-Name
 No. = Segment-Number in Guide
 MaxOcc = Max. Occurrence of Segment/Group
 Index = Index-Number of Segment/Group (in Standard)

St = Status
 EDIFACT: M=Mandatory, C=Conditional
 Usage: R=Required, O=Optional, D=Dependent, A=Advised, N=Not used

Segments

Index No.	Tag	St	MaxOcc	Level	Description
0110	SG2	R	99	1	Names and addresses of the parties involved
Message header					
0120 19	NAD	M	1	1	Name and address

Standard			Implementation	
Name	Name	St Format	St Format	Usage / Remark
NAD				
3035	Party function code qualifier	M an..3	M an..3	BY Buyer SU Supplier DP Delivery party IV Invoicee UC End customer Ship-to party UD End customer Bill recipient, if different from UC CA Carrier PL Central regulator PO Client of the transport order PW Pickup address/delivery point PF Recipient of the freight invoice FW Transport company MA Assembly address
C082	Party identification details	C	C	GLN or other unique identification number of the party involved.
3039	Party identifier	M an..35	M an..35	Identification number (GLN)
1131	Code list identification code	C an..17	N	Not used
3055	Code list responsible agency code	C an..3	R an..3	9 GS1 91 Assigned by supplier or supplier's agent 92 Assigned by buyer or buyer's agent
C058	Name and address	C	N	
3124	Name and address description	M an..35	N	Not used
C080	Party name	C	C	
3036	Party name	M an..35	M an..35	Name For companies : company name For individuals: firstname lastname
3036	Party name	C an..35	O an..35	For companies: company name continuation For individuals: blank
3036	Party name	C an..35	O an..35	For companies: blank For individuals: firstname
3036	Party name	C an..35	O an..35	For companies: blank For individuals: lastname
C059	Street	C	C	
3042	Street and number or post office box identifier	M an..35	M an..35	Street and house number
3042	Street and number or post office box identifier	C an..35	O an..35	
3042	Street and number or post office box identifier	C an..35	O an..35	
3042	Street and number or post office box identifier	C an..35	O an..35	
3164	City name	C an..35	C an..35	City
C819	Country sub-entity details	C	N	
3229	Country sub-entity name code	C an..9	N	Not used
3251	Postal identification code	C an..17	C an..17	Postal code
3207	Country name code	C an..3	C an..3	Country code (2 digits, ISO)

Tag = Object-Name
 No. = Segment-Number in Guide
 MaxOcc = Max. Occurrence of Segment/Group
 Index = Index-Number of Segment/Group (in Standard)

St = Status
 EDIFACT: M=Mandatory, C=Conditional
 Usage: R=Required, O=Optional, D=Dependent, A=Advised, N=Not used

Segments

Standard		Implementation	
Name	Name	St Format	Usage / Remark
			e.g.: DE , AT ...

Remark:

Address information:

GLN, name and address of the companies involved

It is recommended to include the name and complete address in addition to the GLN.

The use of GLN numbers is also recommended. In exceptional cases, other codes can be used here bilaterally agreed, then the code 91 or 92 must be entered in field 3055.

If the specification of a unique identification number is not possible (e.g. for end customer addresses), this can be omitted (Fedl 3055 then remains empty), otherwise this must be specified.

Example:

NAD+BY+8888888888888888::9'

The GLN of the buyer is 888888888888

NAD+DP++Hans Meyer+Musterstraße 1+Musterstadt+77777+DE'

The delivery address is:

Hans Meyer

Musterstraße 1

77777 Musterstadt

Germany

Tag = Object-Name

No. = Segment-Number in Guide

MaxOcc = Max. Occurrence of Segment/Group

Index = Index-Number of Segment/Group (in Standard)

St = Status

EDIFACT: M=Mandatory, C=Conditional

Usage: R=Required, O=Optional, D=Dependent, A=Advised,

N=Not used

Segments

Index No.	Tag	St	MaxOcc	Level	Description
0110	SG2	R	99	1	Names and addresses of the parties involved
	Message header				
0140	SG3	C	10	2	Sales tax ID
0150 20	RFF	M	1	2	Sales tax ID

Standard			Implementation	
Name	Name	St Format	St Format	Usage / Remark
RFF				
C506	Reference	M	M	
1153	Reference code qualifier	M an..3	M an..3	VA VAT registration number
1154	Reference identifier	C an..70	R an..70	Sales tax identification number

Remark:

The sales tax identification number is often expected by recipients in messages.

Example:

RFF+VA:DE4324789142'

The VAT ID of the party concerned is DE4324789142

Tag = Object-Name
 No. = Segment-Number in Guide
 MaxOcc = Max. Occurrence of Segment/Group
 Index = Index-Number of Segment/Group (in Standard)

St = Status
 EDIFACT: M=Mandatory, C=Conditional
 Usage: R=Required, O=Optional, D=Dependent, A=Advised,
 N=Not used

Segments

Index No.	Tag	St	MaxOcc	Level	Description
0110	SG2	R	99	1	Names and addresses of the parties involved
	Message header				
0140	SG3	O	1	2	Tax number
0150 21	RFF	M	1	2	Tax number

Standard			Implementation	
Name	Name	St Format	St Format	Usage / Remark
RFF				
C506	Reference	M	M	
1153	Reference code qualifier	M an..3	M an..3	FC Fiscal number
1154	Reference identifier	C an..70	R an..70	Tax number

Remark:

Required by some recipients, like sales tax ID.

Example:

RFF+FC:12345-131312'

The tax number of the party involved is 12345-131312.

Tag = Object-Name
 No. = Segment-Number in Guide
 MaxOcc = Max. Occurrence of Segment/Group
 Index = Index-Number of Segment/Group (in Standard)

St = Status
 EDIFACT: M=Mandatory, C=Conditional
 Usage: R=Required, O=Optional, D=Dependent, A=Advised,
 N=Not used

Segments

Index No.	Tag	St	MaxOcc	Level	Description
0110	SG2	R	99	1	Names and addresses of the parties involved Message header
0140	SG3	O	1	2	Identification number at the central regulator
0150 22	RFF	M	1	2	Identification number at the central regulator

Standard			Implementation	
Name	Name	St Format	St Format	Usage / Remark
RFF				
C506	Reference	M	M	
1153	Reference code qualifier	M an..3	M an..3	AGB Mitgliedsnummer/Kundennummer
1154	Reference identifier	C an..70	R an..70	ZR number Customer number of the participant at the central regulator

Remark:

The identification number at the central regulator is expected only at the invoice recipient (NAD+IV) and the supplier (NAD+SU).

Example:

RFF+AGB:832637'

The customer number at the central regulator is 832637

Tag = Object-Name
 No. = Segment-Number in Guide
 MaxOcc = Max. Occurrence of Segment/Group
 Index = Index-Number of Segment/Group (in Standard)

St = Status
 EDIFACT: M=Mandatory, C=Conditional
 Usage: R=Required, O=Optional, D=Dependent, A=Advised,
 N=Not used

Segments

Index No.	Tag	St	MaxOcc	Level	Description
0110	SG2	R	99	1	Names and addresses of the parties involved
	Message header				
0140	SG3	O	1	2	customer number
0150 23	RFF	M	1	2	customer number

Standard			Implementation	
Name	Name	St Format	St Format	Usage / Remark
RFF				
C506	Reference	M	M	
1153	Reference code qualifier	M an..3	M an..3	IT Internal customer number
1154	Reference identifier	C an..70	C an..70	Number of the buyer at the manufacturer

Remark:

Number of the buyer at the manufacturer.
The specification must be made at the buyer (NAD+BY).
The value is assigned by the manufacturer.

Example:

RFF+IT:KD98234'

The customer number is KD98234

Tag = Object-Name
No. = Segment-Number in Guide
MaxOcc = Max. Occurrence of Segment/Group
Index = Index-Number of Segment/Group (in Standard)

St = Status
EDIFACT: M=Mandatory, C=Conditional
Usage: R=Required, O=Optional, D=Dependent, A=Advised,
N=Not used

Segments

Index No.	Tag	St	MaxOcc	Level	Description
0110	SG2	R	99	1	Names and addresses of the parties involved
	Message header				
0170	SG4	O	10	2	Contact person and communication data
0180 24	CTA	M	1	2	Contact person or department

Standard			Implementation	
Name	Name	St Format	St Format	Usage / Remark
CTA				
3139	Contact function code	C an..3	C an..3	MGR Manager (GS1 Temporary Code)
C056	Department or employee details	C	C	
3413	Department or employee name code	C an..17	O an..17	Identifier of the contact person or department
3412	Department or employee name	C an..35	O an..35	Name of contact person or department

Remark:

Name of contact person or department

Example:

CTA+MGR+EK:Einkauf'

Contact person is the purchasing manager

Tag = Object-Name
 No. = Segment-Number in Guide
 MaxOcc = Max. Occurrence of Segment/Group
 Index = Index-Number of Segment/Group (in Standard)

St = Status
 EDIFACT: M=Mandatory, C=Conditional
 Usage: R=Required, O=Optional, D=Dependent, A=Advised,
 N=Not used

Segments

Index No.	Tag	St	MaxOcc	Level	Description
0110	SG2	R	99	1	Names and addresses of the parties involved
	Message header				
0170	SG4	O	10	2	Contact person and communication data
0190 25	COM	O	5	3	Communication contact

Standard			Implementation	
Name	Name	St Format	St Format	Usage / Remark
COM				
C076	Communication contact	M	M	
3148	Communication address identifier	M an..512	M an..512	Communication address of the contact person or department
3155	Communication address code qualifier	M an..3	M an..3	TE Telephone AL Cell phone number EM Email address FX Fax

Remark:
Communication link (phone, fax, email) of the contact person or department.

Example:
COM+0711 1234567:TE'
The phone number is 0711/1234567

Tag = Object-Name
 No. = Segment-Number in Guide
 MaxOcc = Max. Occurence of Segment/Group
 Index = Index-Number of Segment/Group (in Standard)

St = Status
 EDIFACT: M=Mandatory, C=Conditional
 Usage: R=Required, O=Optional, D=Dependent, A=Advised,
 N=Not used

Segments

Index No.	Tag	St	MaxOcc	Level	Description
0240	SG6	C	10	1	Transportation information
	Message header				
0250 26	TDT	M	1	1	Details of transport

Standard			Implementation	
Name	Name	St Format	St Format	Usage / Remark
TDT				
8051	Transport stage code qualifier	M an..3	M an..3	20 Main-carriage transport
8028	Means of transport journey identifier	C an..17	N	Not used
C220	Mode of transport	C	N	
8067	Transport mode name code	C an..3	N	Not used
C228	Transport means	C	N	
8179	Transport means description code	C an..8	N	Not used
C040	Carrier	C	C	
3127	Carrier identifier	C an..17	O an..17	Carrier number (GLN)
1131	Code list identification code	C an..17	N	Not used
3055	Code list responsible agency code	C an..3	O an..3	9 GS1 ZZZ Mutually defined
3128	Carrier name	C an..35	O an..35	Name of the carrier

Remark:

Here you can enter information about the carrier or the logistics company that will carry out the transport.

Example:

TDT+20++++4061171000004::9:Schenker Logistik'

The carrier is the company Schenker Logistik

Tag = Object-Name
 No. = Segment-Number in Guide
 MaxOcc = Max. Occurrence of Segment/Group
 Index = Index-Number of Segment/Group (in Standard)

St = Status
 EDIFACT: M=Mandatory, C=Conditional
 Usage: R=Required, O=Optional, D=Dependent, A=Advised,
 N=Not used

Segments

Index No.	Tag	St	MaxOcc	Level	Description
0390	SG10	C	9999	1	Position part
Packaging hierarchy					
0400 27	CPS	M	1	1	Consignment packing sequence

		Standard	Implementation	
Name	Name	St Format	St Format	Usage / Remark
CPS				
7164	Hierarchical structure level identifier	M an..35	M an..35	Package counter
7166	Hierarchical structure parent identifier	C an..35	C an..35	If there is a package hierarchy, the package counter of the parent package.

Remark:

The CPS segment is used to represent a packaging hierarchy.

The packaging hierarchy represents a logical unit (consisting of the physical packages and the items they contain).

Each packaging hierarchy can include different packages and article items and can be subordinated to another packaging hierarchy.

Example:

CPS+1'

The following are details of the first packaging hierarchy

CPS+1'

CPS+2+1'

CPS+3+1'

A top-level packaging hierarchy with 2 lower-level packaging hierarchies

CPS+2+1'

PAC+1++201::9'

PCI+33E'

GIN+BJ+340123450000000014'

Sub-packing hierarchy 2 contains a pallet marked with SSCC/NVE number.

CPS+2+1'

PAC+1++201::9'

LIN+1++4056783491234:SRV'

LIN+2++9956783491234:SRV'

CPS 2 contains a pallet with 2 item positions.

CPS+2+1'

PAC+1++201::9'

CPS+3+2'

PAC+2++CT::9'

LIN+1++4056783491234:SRV'

CPS 2 contains a pallet on which there are 2 boxes with one item.

CPS+1'

CPS+2+1'

PAC+1++201::9'

LIN+1++SOFA-2-SITZ:SA'

CPS+3+1'

PAC+1++201::9'

CPS+4+3'

Tag = Object-Name

No. = Segment-Number in Guide

MaxOcc = Max. Occurrence of Segment/Group

Index = Index-Number of Segment/Group (in Standard)

St = Status

EDIFACT: M=Mandatory, C=Conditional

Usage: R=Required, O=Optional, D=Dependent, A=Advised,

N=Not used

Segments

PAC+1++CT:::9'
 LIN+2++SESSEL:SA'
 CPS+5+3'
 PAC+1++CT:::9'
 LIN+2++FUSS-CHROM:SA'
 QTY+12:8:PCE'

Delivery of a small sofa set (consisting of a 2-seater and an armchair) is delivered on 2 pallets.
 On the first pallet 2-seater is delivered without outer packaging.
 On the second pallet there are 2 boxes.
 In the first box is the armchair, the second box contains 8 feet.

Tag = Object-Name
 No. = Segment-Number in Guide
 MaxOcc = Max. Occurrence of Segment/Group
 Index = Index-Number of Segment/Group (in Standard)

St = Status
 EDIFACT: M=Mandatory, C=Conditional
 Usage: R=Required, O=Optional, D=Dependent, A=Advised,
 N=Not used

Segments

Index No.	Tag	St	MaxOcc	Level	Description
0390	SG10	C	9999	1	Position part
Packaging hierarchy					
0430	SG11	C	9999	2	Package
0440 28	PAC	M	1	2	Package

Standard			Implementation	
Name	Name	St Format	St Format	Usage / Remark
PAC				
7224	Package quantity	C n..8	C n..8	Number of physical packages within the package hierarchy.
C531	Packaging details	C	N	
7075	Packaging level code	C an..3	N	Not used
C202	Package type	C	C	
7065	Package type description code	C an..17	C an..17	201 Pallet ISO 1 - 1/1 EURO Pallet (GS1 Temporary Code) 200 Pallet ISO 0 - 1/2 EURO Pallet (GS1 Temporary Code) CT Carton

Remark:

Package subordinate to a packaging hierarchy, e.g. pallet or carton.

Example:

PAC+2++201'

The package consists of 2 pallets

Tag = Object-Name
 No. = Segment-Number in Guide
 MaxOcc = Max. Occurrence of Segment/Group
 Index = Index-Number of Segment/Group (in Standard)

St = Status
 EDIFACT: M=Mandatory, C=Conditional
 Usage: R=Required, O=Optional, D=Dependent, A=Advised, N=Not used

Segments

Index No.	Tag	St	MaxOcc	Level	Description
0390	SG10	C	9999	1	Position part
Packaging hierarchy					
0430	SG11	C	9999	2	Package
0450 29	MEA	C	10	3	Measurements

Standard			Implementation	
Name	Name	St Format	St Format	Usage / Remark
MEA				
6311	Measurement purpose code qualifier	M an..3	M an..3	PD Physical dimensions (product ordered)
C502	Measurement details	C	C	
6313	Measured attribute code	C an..3	C an..3	AAA Unit net weight AAB Unit gross weight ABJ Volume LN Length dimension DP Depth WD Width dimension HT Height dimension
C174	Value/range	C	C	
6411	Measurement unit code	M an..3	M an..3	MMT millimetre MTR metre CMT centimetre MTQ cubic metre KGM kilogram
6314	Measurement value	C an..18	C an..18	Measured value

Remark:

Dimensions of the packages can be transmitted here.

Example:

MEA+PD+LN+MMT:1200'

The length of the package is 1200mm

Tag = Object-Name
 No. = Segment-Number in Guide
 MaxOcc = Max. Occurrence of Segment/Group
 Index = Index-Number of Segment/Group (in Standard)

St = Status
 EDIFACT: M=Mandatory, C=Conditional
 Usage: R=Required, O=Optional, D=Dependent, A=Advised,
 N=Not used

Segments

Index No.	Tag	St	MaxOcc	Level	Description
0390	SG10	C	9999	1	Position part
Packaging hierarchy					
0430	SG11	C	9999	2	Package
0500	SG13	C	1000	3	Package marking
0510 30	PCI	M	1	3	Type of marking

Standard			Implementation	
Name	Name	St Format	St Format	Usage / Remark
PCI				
4233	Marking instructions code	C an..3	C an..3	33E Marked with serial shipping container code (GS1 Temporary Code)

Remark:

Indicator that this is the number of the shipping unit (SSCC/NVE).

Example:

PCI+33E'

The package is marked with a SSCC/NVE

Tag = Object-Name
 No. = Segment-Number in Guide
 MaxOcc = Max. Occurrence of Segment/Group
 Index = Index-Number of Segment/Group (in Standard)

St = Status
 EDIFACT: M=Mandatory, C=Conditional
 Usage: R=Required, O=Optional, D=Dependent, A=Advised,
 N=Not used

Segments

Index No.	Tag	St	MaxOcc	Level	Description
0390	SG10	C	9999	1	Position part
Packaging hierarchy					
0430	SG11	C	9999	2	Package
0500	SG13	C	1000	3	Package marking
0570	SG15	C	99	4	Shipping unit number
0580 31	GIN	M	1	4	Shipment number

Standard			Implementation	
Name	Name	St Format	St Format	Usage / Remark
GIN				
7405	Object identification code qualifier	M an..3	M an..3	BJ Serial shipping container code
C208	Identity number range	M	M	
7402	Object identifier	M an..35	M an..35	Shipment number

Remark:

Number of the shipping unit. This can be e.g. a SSCC/NVE or a package shipment number.

Example:

GIN+BJ+123456789123'

The package has the tracking number 123456789123

Tag = Object-Name
 No. = Segment-Number in Guide
 MaxOcc = Max. Occurrence of Segment/Group
 Index = Index-Number of Segment/Group (in Standard)

St = Status
 EDIFACT: M=Mandatory, C=Conditional
 Usage: R=Required, O=Optional, D=Dependent, A=Advised, N=Not used

Segments

Index No.	Tag	St	MaxOcc	Level	Description
0390	SG10	C	9999	1	Position part
Packaging hierarchy					
0650	SG17	C	9999	2	Item position
1. Item part for an invoiced unit (basic article, assortment, container, set ...)					
0660 32	LIN	M	1	2	Item position

		Standard	Implementation	
Name	Name	St Format	St Format	Usage / Remark
LIN				
1082	Line item identifier	C an..6	C an..6	
1229	Action request/notification description code	C an..3	N	Not used
C212	Item number identification	C	C	
7140	Item identifier	C an..35	C an..35	GTIN of the item
7143	Item type identification code	C an..3	C an..3	SRV GS1 Global Trade Item Number

Remark:

Contains the item number and the GTIN of the item.
 Each item can have sub-items to represent different item types.
 Each sub-item is a separate item that refers to the corresponding main item.

Sub-items are used, for example, to represent variant items (configurable items), set items (a collection of like or unlike items), displays (a collection of like items), or containers (a collection of like items).

The following segments apply as examples for all types of article items (with the exception of sub-items for variant articles).

Example:

LIN+1+++4312345678910:SRV'
 The item position 1 has the GTIN 4312345678910

Tag = Object-Name
 No. = Segment-Number in Guide
 MaxOcc = Max. Occurence of Segment/Group
 Index = Index-Number of Segment/Group (in Standard)

St = Status
 EDIFACT: M=Mandatory, C=Conditional
 Usage: R=Required, O=Optional, D=Dependent, A=Advised,
 N=Not used

Segments

Index No.	Tag	St	MaxOcc	Level	Description
0390	SG10	C	9999	1	Position part
Packaging hierarchy					
0650	SG17	C	9999	2	Item position
1. Item part for an invoiced unit (basic article, assortment, container, set ...)					
0670 33	PIA	O	4	3	Additional part numbers

Standard			Implementation	
Name	Name	St Format	St Format	Usage / Remark
PIA				
4347	Product identifier code qualifier	M an..3	M an..3	
C212	Item number identification	M	M	
7140	Item identifier	C an..35	R an..35	Additional item identification
7143	Item type identification code	C an..3	R an..3	SA Supplier's article number IN Buyer's item number NB Batch number HS Harmonised system

Remark:

Contains additional reference numbers to the article

Example:

PIA+1+PRD12345:SA'

The manufacturer part number of the item is PRD12345

PIA+1+94016100:HS'

The customs tariff number is 94016100

Tag = Object-Name
 No. = Segment-Number in Guide
 MaxOcc = Max. Occurrence of Segment/Group
 Index = Index-Number of Segment/Group (in Standard)

St = Status
 EDIFACT: M=Mandatory, C=Conditional
 Usage: R=Required, O=Optional, D=Dependent, A=Advised,
 N=Not used

Segments

Index No.	Tag	St	MaxOcc	Level	Description
0390	SG10	C	9999	1	Position part
Packaging hierarchy					
0650	SG17	C	9999	2	Item position
1. Item part for an invoiced unit (basic article, assortment, container, set ...)					
0670 34	PIA	O	1	3	Series / Program

Standard			Implementation	
Name	Name	St Format	St Format	Usage / Remark
PIA				
4347	Product identifier code qualifier	M an..3	M an..3	
C212	Item number identification	M	M	
7140	Item identifier	C an..35	R an..35	Program / Series Identification of the program, series corresponds to SERIES_NAME field in IDM-Polster
7143	Item type identification code	C an..3	R an..3	GB Name or number of the program
1131	Code list identification code	C an..17	N	Not used
3055	Code list responsible agency code	C an..3	R an..3	91 Assigned by supplier or supplier's agent 92 Assigned by buyer or buyer's agent

Remark:

Contains the identification of the program, series.
 Primarily the program ID assigned by the manufacturer must be entered here. (Code 91)
 If necessary, the program ID assigned by the purchaser can also be specified here as an option. (Code 92)
 Use data element 3055 to distinguish the program serialid of buyer and supplier.
 The ID assigned by the buyer can optionally be specified if the ID assigned by the manufacturer is specified.

Example:

PIA+1+HOLLE:GB::91'
 The program is HOLLE

Tag = Object-Name
 No. = Segment-Number in Guide
 MaxOcc = Max. Occurrence of Segment/Group
 Index = Index-Number of Segment/Group (in Standard)

St = Status
 EDIFACT: M=Mandatory, C=Conditional
 Usage: R=Required, O=Optional, D=Dependent, A=Advised,
 N=Not used

Segments

Index No.	Tag	St	MaxOcc	Level	Description
0390	SG10	C	9999	1	Position part
Packaging hierarchy					
0650	SG17	C	9999	2	Item position
1. Item part for an invoiced unit (basic article, assortment, container, set ...)					
0670 35	PIA	O	4	3	Customs tariff / Batch number

Standard			Implementation	
Name	Name	St Format	St Format	Usage / Remark
PIA				
4347	Product identifier code qualifier	M an..3	M an..3	1 Additional identification
C212	Item number identification	M	M	
7140	Item identifier	C an..35	R an..35	Additional item identification
7143	Item type identification code	C an..3	R an..3	HS Harmonised system NB Batch number

Remark:

Contains the customs tariffs number, respectively the production batch number

Example:

PIA+1+94016100999:HS'

The customs tariff number is 94016100

Tag = Object-Name
 No. = Segment-Number in Guide
 MaxOcc = Max. Occurence of Segment/Group
 Index = Index-Number of Segment/Group (in Standard)

St = Status
 EDIFACT: M=Mandatory, C=Conditional
 Usage: R=Required, O=Optional, D=Dependent, A=Advised,
 N=Not used

Segments

Index No.	Tag	St	MaxOcc	Level	Description
0390	SG10	C	9999	1	Position part
Packaging hierarchy					
0650	SG17	C	9999	2	Item position
1. Item part for an invoiced unit (basic article, assortment, container, set ...)					
0680 36	IMD	O	1	3	Article description

Standard			Implementation	
Name	Name	St Format	St Format	Usage / Remark
IMD				
7077	Description format code	C an..3	C an..3	F Free-form
C272	Item characteristic	C	C	
7081	Item characteristic code	C an..3	R an..3	ANM Article name (GS1 Temporary Code)
C273	Item description	C	R	
7009	Item description code	C an..17	N	Not used
1131	Code list identification code	C an..17	N	Not used
3055	Code list responsible agency code	C an..3	N	Not used
7008	Item description	C an..256	O an..256	Item name of the seller
7008	Item description	C an..256	O an..256	Item name of the buyer

Remark:
Contains the item name

Example:
 IMD+F+ANM+:::Funktions Sofa Holle:Holle Schlafsofa'
 The supplier/invoicing party's item name is "Funktions-Sofa Holle", and the item's customer name is "Holle Schlafsofa".

Tag = Object-Name
 No. = Segment-Number in Guide
 MaxOcc = Max. Occurence of Segment/Group
 Index = Index-Number of Segment/Group (in Standard)

St = Status
 EDIFACT: M=Mandatory, C=Conditional
 Usage: R=Required, O=Optional, D=Dependent, A=Advised,
 N=Not used

Segments

Index No.	Tag	St	MaxOcc	Level	Description
0390	SG10	C	9999	1	Position part
Packaging hierarchy					
0650	SG17	C	9999	2	Item position
1. Item part for an invoiced unit (basic article, assortment, container, set ...)					
0690 37	MEA	O	10	3	Measurements

Standard			Implementation	
Name	Name	St Format	St Format	Usage / Remark
MEA				
6311	Measurement purpose code qualifier	M an..3	M an..3	PD Physical dimensions (product ordered)
C502	Measurement details	C	C	
6313	Measured attribute code	C an..3	C an..3	AAA Unit net weight AAB Unit gross weight ABJ Volume DP Depth HT Height dimension LN Length dimension WD Width dimension
C174	Value/range	C	C	
6411	Measurement unit code	M an..3	M an..3	MMT millimetre CMT centimetre MTR metre KGM kilogram MTQ cubic metre
6314	Measurement value	C an..18	C an..18	Measurement of the article

Remark:

Dimensional data

e.g. whether it is a weight and whether it is a net or gross weight. Also you can specify the length, width and height of the item.

Example:

MEA+PD+WD+MMT : 1200 *

The width of the article is 1200mm

Tag = Object-Name
 No. = Segment-Number in Guide
 MaxOcc = Max. Occurrence of Segment/Group
 Index = Index-Number of Segment/Group (in Standard)

St = Status
 EDIFACT: M=Mandatory, C=Conditional
 Usage: R=Required, O=Optional, D=Dependent, A=Advised,
 N=Not used

Segments

Index No.	Tag	St	MaxOcc	Level	Description
0390	SG10	C	9999	1	Position part
Packaging hierarchy					
0650	SG17	C	9999	2	Item position
1. Item part for an invoiced unit (basic article, assortment, container, set ...)					
0700 38	QTY	C	10	3	Quantity delivered

Standard			Implementation	
Name	Name	St Format	St Format	Usage / Remark
QTY				
C186	Quantity details	M	M	
6063	Quantity type code qualifier	M an..3	M an..3	12 Despatch quantity
6060	Quantity	M an..35	M an..35	Delivery quantity
6411	Measurement unit code	C an..3	O an..3	PCE Piece (GS1 Temporary Code) MTR metre KGM kilogram

Remark:

The quantity that the transmitter supplies to the receiver.
The total delivered quantity must always be shown here, regardless of whether it is invoiced.

Example:

QTY+12:12:PCE'
The delivered quantity is 12 pieces.

Tag = Object-Name
No. = Segment-Number in Guide
MaxOcc = Max. Occurrence of Segment/Group
Index = Index-Number of Segment/Group (in Standard)

St = Status
EDIFACT: M=Mandatory, C=Conditional
Usage: R=Required, O=Optional, D=Dependent, A=Advised, N=Not used

Segments

Index No.	Tag	St	MaxOcc	Level	Description
0390	SG10	C	9999	1	Position part
Packaging hierarchy					
0650	SG17	C	9999	2	Item position
1. Item part for an invoiced unit (basic article, assortment, container, set ...)					
0700 39	QTY	C	10	3	Quantity ordered

Standard			Implementation	
Name	Name	St Format	St Format	Usage / Remark
QTY				
C186	Quantity details	M	M	
6063	Quantity type code qualifier	M an..3	M an..3	21 Ordered quantity
6060	Quantity	M an..35	M an..35	Quantity ordered
6411	Measurement unit code	C an..3	C an..3	PCE Piece (GS1 Temporary Code) MTR metre KGM kilogram

Remark:

The quantity that was ordered.

Example:

QTY+21:10:PCE'

The quantity ordered is 10 pieces.

Tag = Object-Name
 No. = Segment-Number in Guide
 MaxOcc = Max. Occurrence of Segment/Group
 Index = Index-Number of Segment/Group (in Standard)

St = Status
 EDIFACT: M=Mandatory, C=Conditional
 Usage: R=Required, O=Optional, D=Dependent, A=Advised,
 N=Not used

Segments

Index No.	Tag	St	MaxOcc	Level	Description
0390	SG10	C	9999	1	Position part
Packaging hierarchy					
0650	SG17	C	9999	2	Item position
1. Item part for an invoiced unit (basic article, assortment, container, set ...)					
0700 40	QTY	C	10	3	Quantity free

Standard			Implementation	
Name	Name	St Format	St Format	Usage / Remark
QTY				
C186	Quantity details	M	M	
6063	Quantity type code qualifier	M an..3	M an..3	192 Free goods quantity
6060	Quantity	M an..35	M an..35	Quantity ordered
6411	Measurement unit code	C an..3	C an..3	PCE Piece (GS1 Temporary Code) MTR metre KGM kilogram

Remark:

Quantity supplied without charge.

Example:

QTY+192:2:PCE'

2 pieces are supplied without charge.

Tag = Object-Name
 No. = Segment-Number in Guide
 MaxOcc = Max. Occurrence of Segment/Group
 Index = Index-Number of Segment/Group (in Standard)

St = Status
 EDIFACT: M=Mandatory, C=Conditional
 Usage: R=Required, O=Optional, D=Dependent, A=Advised,
 N=Not used

Segments

Index No.	Tag	St	MaxOcc	Level	Description
0390	SG10	C	9999	1	Position part
Packaging hierarchy					
0650	SG17	C	9999	2	Item position
1. Item part for an invoiced unit (basic article, assortment, container, set ...)					
0710 41	ALI	C	10	3	Country of origin of the item

		Standard	Implementation	
Name	Name	St Format	St Format	Usage / Remark
	ALI			
3239	Country of origin name code	C an..3	C an..3	Country of origin (ISO code)

Remark:

Example:

ALI+DE'

Country of origin of the item is Germany

Tag = Object-Name
 No. = Segment-Number in Guide
 MaxOcc = Max. Occurrence of Segment/Group
 Index = Index-Number of Segment/Group (in Standard)

St = Status
 EDIFACT: M=Mandatory, C=Conditional
 Usage: R=Required, O=Optional, D=Dependent, A=Advised,
 N=Not used

Segments

Index No.	Tag	St	MaxOcc	Level	Description
0390	SG10	C	9999	1	Position part
Packaging hierarchy					
0650	SG17	C	9999	2	Item position
1. Item part for an invoiced unit (basic article, assortment, container, set ...)					
0750 42	DTM	C	5	3	Different dates

Standard			Implementation	
Name	Name	St Format	St Format	Usage / Remark
DTM				
C507	Date/time/period	M	M	
2005	Date or time or period function code qualifier	M an..3	M an..3	2 Delivery date/time, requested 79 Shipment date/time, promised for
2380	Date or time or period value	C an..35	C an..35	Date
2379	Date or time or period format code	C an..3	C an..3	102 CCYYMMDD 616 CCYYWW

Remark:

Different dates can be entered here on the position.

Example:

DTM+2:20180315:102'

The requested delivery date for this item was 15/03/2018, different from the information in the header.

Tag = Object-Name
 No. = Segment-Number in Guide
 MaxOcc = Max. Occurrence of Segment/Group
 Index = Index-Number of Segment/Group (in Standard)

St = Status
 EDIFACT: M=Mandatory, C=Conditional
 Usage: R=Required, O=Optional, D=Dependent, A=Advised, N=Not used

Segments

Index No.	Tag	St	MaxOcc	Level	Description
0390	SG10	C	9999	1	Position part Packaging hierarchy
0650	SG17	C	9999	2	Item position 1. Item part for an invoiced unit (basic article, assortment, container, set ...)
0800 43	FTX	O	99	3	Position freetext

		Standard	Implementation	
Name	Name	St Format	St Format	Usage / Remark
FTX				
4451	Text subject code qualifier	M an..3	R an..3	LIN Line item 1 Text for subsequent use The occurrence of this text does not affect the processing of the message. 3 Text for immediate use Text must be read before processing the message.
4453	Free text function code	C an..3	R an..3	
C107	Text reference	C	N	
4441	Free text value code	M an..17	N	Not used
C108	Text literal	C	C	
4440	Free text value	M an..512	M an..512	Freetext field 1
4440	Free text value	C an..512	C an..512	Freetext field 2
4440	Free text value	C an..512	C an..512	Freetext field 3
4440	Free text value	C an..512	C an..512	Freetext field 4
4440	Free text value	C an..512	C an..512	Freetext field 5

Remark:

Additional information that may pertain to the item.

Information that has no influence on the processing of the message must be coded in field 4453 with code 1.
 Information that has a direct influence on processing must be coded in field 4453 with code 3.

Example:

FTX+LIN+3++Frontaufteilung beachten (siehe Planungsdaten) '
 Additional information that must be considered before processing the message (code=3).

Tag = Object-Name
 No. = Segment-Number in Guide
 MaxOcc = Max. Occurrence of Segment/Group
 Index = Index-Number of Segment/Group (in Standard)

St = Status
 EDIFACT: M=Mandatory, C=Conditional
 Usage: R=Required, O=Optional, D=Dependent, A=Advised,
 N=Not used

Segments

Index No.	Tag	St	MaxOcc	Level	Description
0390	SG10	C	9999	1	Position part
Packaging hierarchy					
0650	SG17	C	9999	2	Item position
1. Item part for an invoiced unit (basic article, assortment, container, set ...)					
0820	SG18	C	99	3	Reference to the order
0830	RFF	M	1	3	Reference to the order

Standard			Implementation	
Name	Name	St Format	St Format	Usage / Remark
RFF				
C506	Reference	M	M	
1153	Reference code qualifier	M an..3	M an..3	ON Order number (buyer)
1154	Reference identifier	C an..70	C an..70	Document number of the sales order
1156	Document line identifier	C an..6	C an..6	Item number of the sales order

Remark:

Reference to the customer's order number and order item (order number).

Example:

RFF+ON:BE-99885:3'

The order item refers to item 3 of the order with the number BE-99885

Tag = Object-Name
 No. = Segment-Number in Guide
 MaxOcc = Max. Occurence of Segment/Group
 Index = Index-Number of Segment/Group (in Standard)

St = Status
 EDIFACT: M=Mandatory, C=Conditional
 Usage: R=Required, O=Optional, D=Dependent, A=Advised,
 N=Not used

Segments

Index No.	Tag	St	MaxOcc	Level	Description
0390	SG10	C	9999	1	Position part
Packaging hierarchy					
0650	SG17	C	9999	2	Item position
1. Item part for an invoiced unit (basic article, assortment, container, set ...)					
0820	SG18	C	99	3	Reference to the order
0860	DTM	C	1	4	Date of the order document

Standard			Implementation	
Name	Name	St Format	St Format	Usage / Remark
DTM				
C507	Date/time/period	M	M	
2005	Date or time or period function code qualifier	M an..3	M an..3	171 Reference date/time
2380	Date or time or period value	C an..35	C an..35	Order date
2379	Date or time or period format code	C an..3	C an..3	102 CCYYMMDD

Remark:

Date when the order was created (DTM+137 of the order).

Example:

DTM+171:20180131:102'

The document date of the reference document is 31.01.2018

Tag = Object-Name
 No. = Segment-Number in Guide
 MaxOcc = Max. Occurence of Segment/Group
 Index = Index-Number of Segment/Group (in Standard)

St = Status
 EDIFACT: M=Mandatory, C=Conditional
 Usage: R=Required, O=Optional, D=Dependent, A=Advised, N=Not used

Segments

Index No.	Tag	St	MaxOcc	Level	Description
0390	SG10	C	9999	1	Position part
Packaging hierarchy					
0650	SG17	C	9999	2	Item position
1. Item part for an invoiced unit (basic article, assortment, container, set ...)					
0820	SG18	C	99	3	Commission number
0830	RFF	M	1	3	Commission number

Standard			Implementation	
Name	Name	St Format	St Format	Usage / Remark
RFF				
C506	Reference	M	M	
1153	Reference code qualifier	M an..3	M an..3	YB4 Order shipment grouping reference (GS1 Temporary Code)
1154	Reference identifier	C an..70	C an..70	Commission number from customer order

Remark:

The commission number can be specified here.

Example:

RFF+YB4:12314-MUELLER'

The commission number is 1231-MUELLER

Tag = Object-Name
 No. = Segment-Number in Guide
 MaxOcc = Max. Occurrence of Segment/Group
 Index = Index-Number of Segment/Group (in Standard)

St = Status
 EDIFACT: M=Mandatory, C=Conditional
 Usage: R=Required, O=Optional, D=Dependent, A=Advised,
 N=Not used

Segments

Index No.	Tag	St	MaxOcc	Level	Description
0390	SG10	C	9999	1	Position part
Packaging hierarchy					
0650	SG17	C	9999	2	Item position
1. Item part for an invoiced unit (basic article, assortment, container, set ...)					
0820	SG18	C	99	3	Reference to the order response
0830 47	RFF	M	1	3	Order response number

Standard			Implementation	
Name	Name	St Format	St Format	Usage / Remark
RFF				
C506	Reference	M	M	
1153	Reference code qualifier	M an..3	M an..3	POR Purchase order response number
1154	Reference identifier	C an..70	C an..70	Document number of the order response
1156	Document line identifier	C an..6	C an..6	Item number of the order response

Remark:

Reference to the order confirmation number

Example:

RFF+POR:AB333444:2'

Referenced to item 2 of purchase order response number AB333444.

Tag = Object-Name
 No. = Segment-Number in Guide
 MaxOcc = Max. Occurence of Segment/Group
 Index = Index-Number of Segment/Group (in Standard)

St = Status
 EDIFACT: M=Mandatory, C=Conditional
 Usage: R=Required, O=Optional, D=Dependent, A=Advised,
 N=Not used

Segments

Index No.	Tag	St	MaxOcc	Level	Description
0390	SG10	C	9999	1	Position part
Packaging hierarchy					
0650	SG17	C	9999	2	Item position
1. Item part for an invoiced unit (basic article, assortment, container, set ...)					
0820	SG18	C	99	3	Reference to the order response
0860	DTM	C	1	4	Date of order response

Standard			Implementation	
Name	Name	St Format	St Format	Usage / Remark
DTM				
C507	Date/time/period	M	M	
2005	Date or time or period function code qualifier	M an..3	M an..3	171 Reference date/time
2380	Date or time or period value	C an..35	C an..35	Order response document date
2379	Date or time or period format code	C an..3	C an..3	102 CCYYMMDD

Remark:

Date when the order response was created (DTM+137 of AB).

Example:

DTM+171:20180131:102'

The document date of the order response is 31.01.2018

Tag = Object-Name
 No. = Segment-Number in Guide
 MaxOcc = Max. Occurence of Segment/Group
 Index = Index-Number of Segment/Group (in Standard)

St = Status
 EDIFACT: M=Mandatory, C=Conditional
 Usage: R=Required, O=Optional, D=Dependent, A=Advised, N=Not used

Segments

Index No.	Tag	St	MaxOcc	Level	Description
0390	SG10	C	9999	1	Position part
Packaging hierarchy					
0650	SG17	C	9999	2	Item position
1. Item part for an invoiced unit (basic article, assortment, container, set ...)					
0820	SG18	C	99	3	Other reference information
0830	RFF	M	1	3	Reference

Standard			Implementation	
Name	Name	St Format	St Format	Usage / Remark
RFF				
C506	Reference	M	M	
1153	Reference code qualifier	M an..3	M an..3	OP Reference to the original sales order AAK Despatch advice number LI Line item reference number XCG Reference to the GeolD XCC Reference to the ConfigID DDR EUDR Registration number DDV EUDR Verifikation token
1154	Reference identifier	C an..70	C an..70	Document / Reference number
1156	Document line identifier	C an..6	C an..6	Position number of the current position in the referenced document

Remark:

Other references

Example:

RFF+OP:GHEF2K:1'

Referenced to item 1 of the original sales order number GHEF2K.

Tag = Object-Name
 No. = Segment-Number in Guide
 MaxOcc = Max. Occurrence of Segment/Group
 Index = Index-Number of Segment/Group (in Standard)

St = Status
 EDIFACT: M=Mandatory, C=Conditional
 Usage: R=Required, O=Optional, D=Dependent, A=Advised,
 N=Not used

Segments

Index No.	Tag	St	MaxOcc	Level	Description
0390	SG10	C	9999	1	Position part
Packaging hierarchy					
0650	SG17	C	9999	2	Item position
1. Item part for an invoiced unit (basic article, assortment, container, set ...)					
0820	SG18	C	99	3	Other reference information
0860 50	DTM	C	1	4	Date of the reference

Standard			Implementation	
Name	Name	St Format	St Format	Usage / Remark
DTM				
C507	Date/time/period	M	M	
2005	Date or time or period function code qualifier	M an..3	M an..3	171 Reference date/time
2380	Date or time or period value	C an..35	C an..35	Document date of the referenced document
2379	Date or time or period format code	C an..3	C an..3	102 CCYYMMDD

Remark:

Date specification of the reference.
For document references, the document date of the reference document is specified here.

Example:

DTM+171:20180120:102'
The date of reference is 20.01.2018

Tag = Object-Name
No. = Segment-Number in Guide
MaxOcc = Max. Occurence of Segment/Group
Index = Index-Number of Segment/Group (in Standard)

St = Status
EDIFACT: M=Mandatory, C=Conditional
Usage: R=Required, O=Optional, D=Dependent, A=Advised, N=Not used

Segments

Index No.	Tag	St	MaxOcc	Level	Description
0390	SG10	C	9999	1	Position part
Packaging hierarchy					
0650	SG17	O	9999	2	Option (Feature)
2. Option of a base article (feature)					
0660 51	LIN	M	1	2	Option / Feature

Standard			Implementation	
Name	Name	St Format	St Format	Usage / Remark
LIN				
1082	Line item identifier	C an..6	R an..6	
1229	Action request/notification description code	C an..3	N	Not used
C212	Item number identification	C	C	
7140	Item identifier	C an..35	R an..35	Vendor ID of the feature
7143	Item type identification code	C an..3	R an..3	SA Supplier's article number
C829	Sub-line information	C	R	
5495	Sub-line indicator code	C an..3	R an..3	1 Sub-line information
1082	Line item identifier	C an..6	R an..6	Item number of the main article to which this option is assigned

Remark:

This segment group is used to represent an option (feature) of a product.
An option represents a single variable article characteristic of a base article (variant article).

Example:

The variant article "Schlafsofa Holle" (ArtNo: 7632-231) is offered with different fabric covers (e.g. linen fabric natural).
The article thus has a "Stoffbezug" option (ID: BZS) which can have different option values, e.g. "Leinenstoff natur" (ID: LEINN).
The options and option values of a base item are represented as sub-items.
The respective option represents a sub-item of the base item, the option value represents a sub-item of the option.
The base item can have multiple options, but each option can have only a single option value.

Sub-items are identified on the one hand by marking them as sub-items (field 5495, value "1") on the other hand by the reference to the corresponding base article. The reference is made via the field C829.1082 that contains the position number of the base article (field 1082).

The following additional flags must be used for the mapping of the options:

- Flagged as base article (IMD+C++BA).
- Flagged as option (IMD+C++OP)
- Flagged as option value (IMD+C++OPV).

Each option and option value can have one or more identification numbers in addition to the name (PIA segments).

Example:

LIN+11++BZS:SA+1:10'
Article item 11 with manufacturer's number BZS is a sub-item of item 10.

```
LIN+10++7632-231:SA
IMD+A++::Schlafsofa Holle
IMD+C++BA
LIN+11++BZS:SA+1:10
IMD+C++OP
IMD+A++::Bezugsstoff
LIN+12++LEINN:SA+1:11
IMD+C++OPV
```

Tag = Object-Name
No. = Segment-Number in Guide
MaxOcc = Max. Occurrence of Segment/Group
Index = Index-Number of Segment/Group (in Standard)

St = Status
EDIFACT: M=Mandatory, C=Conditional
Usage: R=Required, O=Optional, D=Dependent, A=Advised,
N=Not used

Segments

IMD+A++:::Leinenstoff natur

article position 10 : sofa bed Holle (manufacturer no. 7632-231), marked as basic article (BA)

Item 11: Sub-item of item 10, marked as an option/feature with the designation "cover fabric" (ID: BZS).

Item 12: sub-item of item 11, marked as an option value with the value "Linen fabric natural" (ID: LEINN)

LIN+10++7630-SET-C:SA

IMD+A++:::Sitzgarnitur Custom Dream

QTY+21:1:EA

MOA+203:999:EUR

PRI+AAA+999:::1:PCE

LIN+20++7630-003:SA+1:10

IMD+A++:::3-Sitzer Dream

IMD+C++BA

QTY+21:1:PCE

LIN+21+++1:20

IMD+A++:::Ausfuehrung Fuss

IMD+C++OP

LIN+22+++1:21

IMD+A++:::Helsinki

IMD+C++OPV

LIN+30++7630-001:SA+1:10

IMD+A++:::1-Sitzer Dream

QTY+21:2:PCE

A seating set (ArtNo.: 7630-SET-C) for the price of 999,00 EUR consisting of one configurable 3-seater (design foot: Helsinki) and two 1-seater (not configurable)

Tag = Object-Name

No. = Segment-Number in Guide

MaxOcc = Max. Occurence of Segment/Group

Index = Index-Number of Segment/Group (in Standard)

St = Status

EDIFACT: M=Mandatory, C=Conditional

Usage: R=Required, O=Optional, D=Dependent, A=Advised,

N=Not used

Segments

Index No.	Tag	St	MaxOcc	Level	Description
0390	SG10	C	9999	1	Position part
Packaging hierarchy					
0650	SG17	O	9999	2	Option (Feature)
2. Option of a base article (feature)					
0670 52	PIA	O	10	3	Additional product id

Standard			Implementation	
Name	Name	St Format	St Format	Usage / Remark
PIA				
4347	Product identifier code qualifier	M an..3	R an..3	1 Additional identification
C212	Item number identification	M	M	
7140	Item identifier	C an..35	R an..35	GTIN or customer ID of the feature
7143	Item type identification code	C an..3	R an..3	SRV GS1 Global Trade Item Number IN Buyer's item number

Remark:

Contains e.g. the manufacturer article number or the dealer article number.

Example:

PIA+1+123456:SA'

Tag = Object-Name
 No. = Segment-Number in Guide
 MaxOcc = Max. Occurrence of Segment/Group
 Index = Index-Number of Segment/Group (in Standard)

St = Status
 EDIFACT: M=Mandatory, C=Conditional
 Usage: R=Required, O=Optional, D=Dependent, A=Advised,
 N=Not used

Segments

Index No.	Tag	St	MaxOcc	Level	Description
0390	SG10	C	9999	1	Position part
Packaging hierarchy					
0650	SG17	O	9999	2	Option (Feature)
2. Option of a base article (feature)					
0680 53	IMD	R	1	3	Option (flag)

Standard			Implementation	
Name	Name	St Format	St Format	Usage / Remark
IMD				
7077	Description format code	C an..3	R an..3	C Code (from industry code list)
C272	Item characteristic	C	N	
7081	Item characteristic code	C an..3	N	Not used
C273	Item description	C	R	
7009	Item description code	C an..17	R an..17	OP Feature

Remark:

Segment identifies position as option/feature.

Example:

IMD+C++OP'

The item position is marked as option/feature.

Tag = Object-Name
 No. = Segment-Number in Guide
 MaxOcc = Max. Occurrence of Segment/Group
 Index = Index-Number of Segment/Group (in Standard)

St = Status
 EDIFACT: M=Mandatory, C=Conditional
 Usage: R=Required, O=Optional, D=Dependent, A=Advised,
 N=Not used

Segments

Index No.	Tag	St	MaxOcc	Level	Description
0390	SG10	C	9999	1	Position part
Packaging hierarchy					
0650	SG17	O	9999	2	Option (Feature)
2. Option of a base article (feature)					
0680 54	IMD	C	25	3	Item description

Standard			Implementation	
Name	Name	St Format	St Format	Usage / Remark
IMD				
7077	Description format code	C an..3	R an..3	F Option name
C272	Item characteristic	C	N	
7081	Item characteristic code	C an..3	N	Not used
C273	Item description	C	R	
7009	Item description code	C an..17	N	Not used
1131	Code list identification code	C an..17	N	Not used
3055	Code list responsible agency code	C an..3	N	Not used
7008	Item description	C an..256	R an..256	Option name

Remark:

Segment flags position as option

Example:

IMD+F++:::Bezugsstoff'

The name of the feature is "Bezugsstoff"

Tag = Object-Name
 No. = Segment-Number in Guide
 MaxOcc = Max. Occurrence of Segment/Group
 Index = Index-Number of Segment/Group (in Standard)

St = Status
 EDIFACT: M=Mandatory, C=Conditional
 Usage: R=Required, O=Optional, D=Dependent, A=Advised,
 N=Not used

Segments

Index No.	Tag	St	MaxOcc	Level	Description
0390	SG10	C	9999	1	Position part
Packaging hierarchy					
0650	SG17	O	9999	2	Option value
3. Option value of an option					
0660 55	LIN	M	1	2	Option value

Standard			Implementation	
Name	Name	St Format	St Format	Usage / Remark
LIN				
1082	Line item identifier	C an..6	R an..6	
1229	Action request/notification description code	C an..3	N	Not used
C212	Item number identification	C	O	
7140	Item identifier	C an..35	R an..35	Vendor ID of the variant
7143	Item type identification code	C an..3	R an..3	SA Supplier's article number
C829	Sub-line information	C	C	
5495	Sub-line indicator code	C an..3	C an..3	1 Sub-line information
1082	Line item identifier	C an..6	R an..6	Position number of the option to which this option value is assigned

Remark:

This segment group is used to represent variants (option).
 Only one option value is allowed per option position.
 Contains the position number and the supplier Id of the variant incl. the reference to the superordinate feature position.

Example:

LIN+12++OPT243.34:SA+1:2'
 Item No. 12 (Manufacturer No.: OPT243.34) is a subposition of item No. 11

Tag = Object-Name
 No. = Segment-Number in Guide
 MaxOcc = Max. Occurence of Segment/Group
 Index = Index-Number of Segment/Group (in Standard)

St = Status
 EDIFACT: M=Mandatory, C=Conditional
 Usage: R=Required, O=Optional, D=Dependent, A=Advised, N=Not used

Segments

Index No.	Tag	St	MaxOcc	Level	Description
0390	SG10	C	9999	1	Position part
Packaging hierarchy					
0650	SG17	O	9999	2	Option value
3. Option value of an option					
0670 56	PIA	O	10	3	Additional product id

Standard			Implementation	
Name	Name	St Format	St Format	Usage / Remark
PIA				
4347	Product identifier code qualifier	M an..3	M an..3	1 Additional identification
C212	Item number identification	M	M	
7140	Item identifier	C an..35	R an..35	GTIN or customer Id of the variant
7143	Item type identification code	C an..3	R an..3	SRV GS1 Global Trade Item Number IN Buyer's item number

Remark:

Additional identification numbers of the variant e.g.: GTIN or customer ID

Example:

PIA+1+43556277645385:SRV'

The GTIN of the option is 43556277645385

Tag = Object-Name
 No. = Segment-Number in Guide
 MaxOcc = Max. Occurrence of Segment/Group
 Index = Index-Number of Segment/Group (in Standard)

St = Status
 EDIFACT: M=Mandatory, C=Conditional
 Usage: R=Required, O=Optional, D=Dependent, A=Advised,
 N=Not used

Segments

Index No.	Tag	St	MaxOcc	Level	Description
0390	SG10	C	9999	1	Position part
Packaging hierarchy					
0650	SG17	O	9999	2	Option value
3. Option value of an option					
0680 57	IMD	R	25	3	Option value (flag)

Standard			Implementation	
Name	Name	St Format	St Format	Usage / Remark
IMD				
7077	Description format code	C an..3	R an..3	C Code (from industry code list)
C272	Item characteristic	C	N	
7081	Item characteristic code	C an..3	N	Not used
C273	Item description	C	R	
7009	Item description code	C an..17	R an..17	OPV Option

Remark:

Segment identifies position as option value.

Example:

IMD+C++OPV'

The item position is marked as an option value

Tag = Object-Name
 No. = Segment-Number in Guide
 MaxOcc = Max. Occurrence of Segment/Group
 Index = Index-Number of Segment/Group (in Standard)

St = Status
 EDIFACT: M=Mandatory, C=Conditional
 Usage: R=Required, O=Optional, D=Dependent, A=Advised,
 N=Not used

Segments

Index No.	Tag	St	MaxOcc	Level	Description
0390	SG10	C	9999	1	Position part
Packaging hierarchy					
0650	SG17	O	9999	2	Option value
3. Option value of an option					
0680 58	IMD	A	25	3	Name of the option value

Standard			Implementation	
Name	Name	St Format	St Format	Usage / Remark
IMD				
7077	Description format code	C an..3	R an..3	F Name of the option value
C272	Item characteristic	C	N	
7081	Item characteristic code	C an..3	N	Not used
C273	Item description	C	R	
7009	Item description code	C an..17	N	Not used
1131	Code list identification code	C an..17	N	Not used
3055	Code list responsible agency code	C an..3	N	Not used
7008	Item description	C an..256	R an..256	Name of the option value Name of the option value

Remark:

Segment contains the name of the variant.

Example:

IMD+F++:::Gobelin Blumenmuster'

The option value name is "Gobelin Blumenmuster".

Tag = Object-Name
 No. = Segment-Number in Guide
 MaxOcc = Max. Occurrence of Segment/Group
 Index = Index-Number of Segment/Group (in Standard)

St = Status
 EDIFACT: M=Mandatory, C=Conditional
 Usage: R=Required, O=Optional, D=Dependent, A=Advised,
 N=Not used

Segments

Index	No.	Tag	St	MaxOcc	Level	Description
1150	59	UNT	M	1	0	Message trailer

Standard			Implementation	
Name	Name	St Format	St Format	Usage / Remark
UNT				
0074	Number of segments in the message	M n..6	M n..6	Segment counter
0062	Message reference number	M an..14	M an..14	Unique message reference of the sender. Identical to DE 0062 in UNH.

Remark:
Segment counter

Example:
UNT+72+1'
The document consists of 72 segments

Tag = Object-Name
 No. = Segment-Number in Guide
 MaxOcc = Max. Occurrence of Segment/Group
 Index = Index-Number of Segment/Group (in Standard)

St = Status
 EDIFACT: M=Mandatory, C=Conditional
 Usage: R=Required, O=Optional, D=Dependent, A=Advised,
 N=Not used

Segments

Index	No.	Tag	St	MaxOcc	Level	Description
0000	60	UNZ	M	1	0	Interchange trailer

Standard			Implementation	
Name	Name	St Format	St Format	Usage / Remark
UNZ				
0036	Interchange control count	M n..6	M n..6	Document number
0020	Interchange control reference	M an..14	M an..14	Unique data exchange reference number (file counter). Corresponds to the specification in UNB 0020.

Remark:

Example:

UNZ+1+1'

The message contains 1 document.

Tag = Object-Name
 No. = Segment-Number in Guide
 MaxOcc = Max. Occurrence of Segment/Group
 Index = Index-Number of Segment/Group (in Standard)

St = Status
 EDIFACT: M=Mandatory, C=Conditional
 Usage: R=Required, O=Optional, D=Dependent, A=Advised,
 N=Not used

Example

No.	Name	Example
1	UNA	UNA:+.? '
2	UNB	UNB+UNOC:3+4399901793453:14+4041116000009:14:4139916000005+180427:1630+1++++DCC-FURN-V1.1' The sender of the message is 4399901793453, the recipient is 4041116000009. The message was created on 27.04.2018 at 16:30h and has the unique reference number 58300544.
Message header		
3	UNH	UNH+1+DESADV:D:01B:UN:EAN010' This message is an Edifact DESADV.
4	BGM	BGM+351+L2423273+9' This document is a delivery notification with document number L2423273.
5	DTM	DTM+137:20190227:102' The document was created on 27.02.2019.
6	DTM	DTM+11:20190228:102' The goods will be shipped on 02/28/2019
7	DTM	DTM+17:20180428:102' The goods are expected to be delivered on 03.03.2019
8	DTM	DTM+420:2:805' The discharge time is 2 hours.
9	DTM	DTM+191:20180428:102' The expected delivery date is 28.04.2018
10	MEA	MEA+AAU++PCE:5' The whole shipment consists of 5 packages
11	MEA	MEA+PD+AAD+KGM:423.45' The total gross weight of the shipment is 423.45 Kg
12	MEA	MEA+PD+ABJ+MTQ:2.46' The total shipment volume is 2.46 m ³
SG1		
13	RFF	RFF+ON:BE7732' The document number of the order is BE7732
14	DTM	DTM+171:20180115:102' The document date of the order is 27.04.2018
SG1		
15	RFF	RFF+YB4:OBJ2638' The commission number is OBJ2638
SG1		
16	RFF	RFF+POR:AB123456' The order response number is AB123456
SG1		
17	RFF	RFF+OP:27482345672' The original sales order number (e.g. order number from online store) is 627482345672
18	DTM	DTM+171:20180131:102' The document date of the reference document is 31.01.2018
SG2		

No. = Segment-Number in Guide

Example

No.	Name	Example
19	NAD	<p>NAD+BY+8888888888888888:::9' The GLN of the buyer is 8888888888 NAD+DP++Hans Meyer+Musterstraße 1+Musterstadt+77777+DE' The delivery address is: Hans Meyer Musterstraße 1 77777 Musterstadt Germany</p>
SG3		
20	RFF	<p>RFF+VA:DE4324789142' The VAT ID of the party concerned is DE4324789142</p>
SG3		
21	RFF	<p>RFF+FC:12345-131312' The tax number of the party involved is 12345-131312.</p>
SG3		
22	RFF	<p>RFF+AGB:832637' The customer number at the central regulator is 832637</p>
SG3		
23	RFF	<p>RFF+IT:KD98234' The customer number is KD98234</p>
SG4		
24	CTA	<p>CTA+MGR+EK:Einkauf' Contact person is the purchasing manager</p>
25	COM	<p>COM+0711 1234567:TE' The phone number is 0711/1234567</p>
SG6		
26	TDT	<p>TDT+20++++4061171000004:::9:Schenker Logistik' The carrier is the company Schenker Logistik</p>
Packaging hierarchy		
SG10		

Example

No.	Name	Example
27	CPS	<p>CPS+1' The following are details of the first packaging hierarchy</p> <p>CPS+1' CPS+2+1' CPS+3+1' A top-level packaging hierarchy with 2 lower-level packaging hierarchies</p> <p>CPS+2+1' PAC+1++201 : : 9' PCI+33E' GIN+BJ+340123450000000014' Sub-packing hierarchy 2 contains a pallet marked with SSCC/NVE number.</p> <p>CPS+2+1' PAC+1++201 : : 9' LIN+1++4056783491234 : SRV' LIN+2++9956783491234 : SRV' CPS 2 contains a pallet with 2 item positions.</p> <p>CPS+2+1' PAC+1++201 : : 9' CPS+3+2' PAC+2++CT : : 9' LIN+1++4056783491234 : SRV' CPS 2 contains a pallet on which there are 2 boxes with one item.</p> <p>CPS+1' CPS+2+1' PAC+1++201 : : 9' LIN+1++SOFA-2-SITZ : SA' CPS+3+1' PAC+1++201 : : 9' CPS+4+3' PAC+1++CT : : 9' LIN+2++SESSEL : SA' CPS+5+3' PAC+1++CT : : 9' LIN+2++FUSS-CHROM : SA' QTY+12 : 8 : PCE' Delivery of a small sofa set (consisting of a 2-seater and an armchair) is delivered on 2 pallets. On the first pallet 2-seater is delivered without outer packaging. On the second pallet there are 2 boxes. In the first box is the armchair, the second box contains 8 feet.</p>
SG11		
28	PAC	<p>PAC+2++201' The package consists of 2 pallets</p>
29	MEA	<p>MEA+PD+LN+MMT : 1200' The length of the package is 1200mm</p>
SG13		
30	PCI	<p>PCI+33E' The package is marked with a SSCC/NVE</p>
SG15		

Example

No.	Name	Example
31	GIN	GIN+BJ+123456789123 ' The package has the tracking number 123456789123
1. Item part for an invoiced unit (basic article, assortment, container, set ...)		
SG17		
32	LIN	LIN+1++4312345678910:SRV ' The item position 1 has the GTIN 4312345678910
33	PIA	PIA+1+PRD12345:SA ' The manufacturer part number of the item is PRD12345 PIA+1+94016100:HS ' The customs tariff number is 94016100
34	PIA	PIA+1+HOLLE:GB: :91 ' The program is HOLLE
35	PIA	PIA+1+94016100999:HS ' The customs tariff number is 94016100
36	IMD	IMD+F+ANM+:::Funktions Sofa Holle:Holle Schlafsofa ' The supplier/invoicing party's item name is "Funktions-Sofa Holle", and the item's customer name is "Holle Schlafsofa".
37	MEA	MEA+PD+WD+MMT:1200 ' The width of the article is 1200mm
38	QTY	QTY+12:12:PCE ' The delivered quantity is 12 pieces.
39	QTY	QTY+21:10:PCE ' The quantity ordered is 10 pieces.
40	QTY	QTY+192:2:PCE ' 2 pieces are supplied without charge.
41	ALI	ALI+DE ' Country of origin of the item is Germany
42	DTM	DTM+2:20180315:102 ' The requested delivery date for this item was 15/03/2018, different from the information in the header.
43	FTX	FTX+LIN+3++Frontaufteilung beachten (siehe Planungsdaten) ' Additional information that must be considered before processing the message (code=3).
SG18		
44	RFF	RFF+ON:BE-99885:3 ' The order item refers to item 3 of the order with the number BE-99885
45	DTM	DTM+171:20180131:102 ' The document date of the reference document is 31.01.2018
SG18		
46	RFF	RFF+YB4:12314-MUELLER ' The commission number is 1231-MUELLER
SG18		
47	RFF	RFF+POR:AB333444:2 ' Referenced to item 2 of purchase order response number AB333444.
48	DTM	DTM+171:20180131:102 ' The document date of the order response is 31.01.2018
SG18		

Example

No.	Name	Example
49	RFF	RFF+OP:GHEF2K:1' Referenced to item 1 of the original sales order number GHEF2K.
50	DTM	DTM+171:20180120:102' The date of reference is 20.01.2018
2. Option of a base article (feature)		
SG17		
51	LIN	LIN+11++BZS:SA+1:10' Article item 11 with manufacturer's number BZS is a sub-item of item 10. LIN+10++7632-231:SA IMD+A++::Schlafsofa Holle IMD+C++BA LIN+11++BZS:SA+1:10 IMD+C++OP IMD+A++::Bezugsstoff LIN+12++LEINN:SA+1:11 IMD+C++OPV IMD+A++::Leinenstoff natur article position 10 : sofa bed Holle (manufacturer no. 7632-231), marked as basic article (BA) Item 11: Sub-item of item 10, marked as an option/feature with the designation "cover fabric" (ID: BZS). Item 12: sub-item of item 11, marked as an option value with the value "Linen fabric natural" (ID: LEINN) LIN+10++7630-SET-C:SA IMD+A++::Sitzgarnitur Custom Dream QTY+21:1:EA MOA+203:999:EUR PRI+AAA+999:::1:PCE LIN+20++7630-003:SA+1:10 IMD+A++:::3-Sitzer Dream IMD+C++BA QTY+21:1:PCE LIN+21+++1:20 IMD+A++::Ausfuehrung Fuss IMD+C++OP LIN+22+++1:21 IMD+A++::Helsinki IMD+C++OPV LIN+30++7630-001:SA+1:10 IMD+A++:::1-Sitzer Dream QTY+21:2:PCE A seating set (ArtNo.: 7630-SET-C) for the price of 999,00 EUR consisting of one configurable 3-seater (desian foot: Helsinki) and two 1-seater (not confiaurable)
52	PIA	PIA+1+123456:SA'
53	IMD	IMD+C++OP' The item position is marked as option/feature.
54	IMD	IMD+F++:::Bezugsstoff' The name of the feature is "Bezugsstoff"
3. Option value of an option		
SG17		
55	LIN	LIN+12++OPT243.34:SA+1:2' Item No. 12 (Manufacturer No.: OPT243.34) is a subposition of item No. 11

No. = Segment-Number in Guide

Example

No.	Name	Example
56	PIA	PIA+1+43556277645385:SRV' The GTIN of the option is 43556277645385
57	IMD	IMD+C++OPV' The item position is marked as an option value
58	IMD	IMD+F++::Gobelin Blumenmuster' The option value name is "Gobelin Blumenmuster".
59	UNT	UNT+72+1' The document consists of 72 segments
60	UNZ	UNZ+1+1' The message contains 1 document.

No. = Segment-Number in Guide

EUDR Datapoints

No.	Seg.	Example
-----	------	---------

EUDR Requirements

Below you will find the EUDR data points for passing on the EUDR information.

Since the ORDRSP has already stated whether a product is EUDR relevant, the information here is limited to the registration information for a product that was registered according to the ORDRSP.

This information is provided at item level.

Customs tariff number

34	PIA	PIA+1+94016100:HS'
		The customs tariff number is 94016100

EUDR Referencenumber

48	RFF	RFF+DDR: 25DEJWHGNT7120
		The EUDR Registrationnumber is 25DEJWHGNT7120
48	RFF	RFF+DDV: DDSV333
		The EUDR Verifikationnumber is DDSV333