

EDI Guide

## **Inventory Report (INVOIC)**

**Electronic Data Interchange for Furniture**

based on  
**EANCOM 2012**

Version: 1.0.1  
Variant: DCC-FURN  
Published: 13.01.2023  
Author: Integrated Worlds

---

## Contact

Daten Competence Center e. V.  
Dr.-Ing. Olaf Plümer  
Geschäftsführer  
Goebenstraße 4-10  
32052 Herford  
Tel.: +49 52 21 / 12 65 37  
Fax.: +49 52 21 / 12 65 5 37

E-Mail: [pluemer@dcc-moebel.org](mailto:pluemer@dcc-moebel.org)  
Info: [www.dcc-moebel.org](http://www.dcc-moebel.org)



**Daten  
Competence  
Center e. V.**

## Table of Contents

1 Structure.....	3
2 Diagram .....	4
3 Segments .....	8
4 Examples.....	27

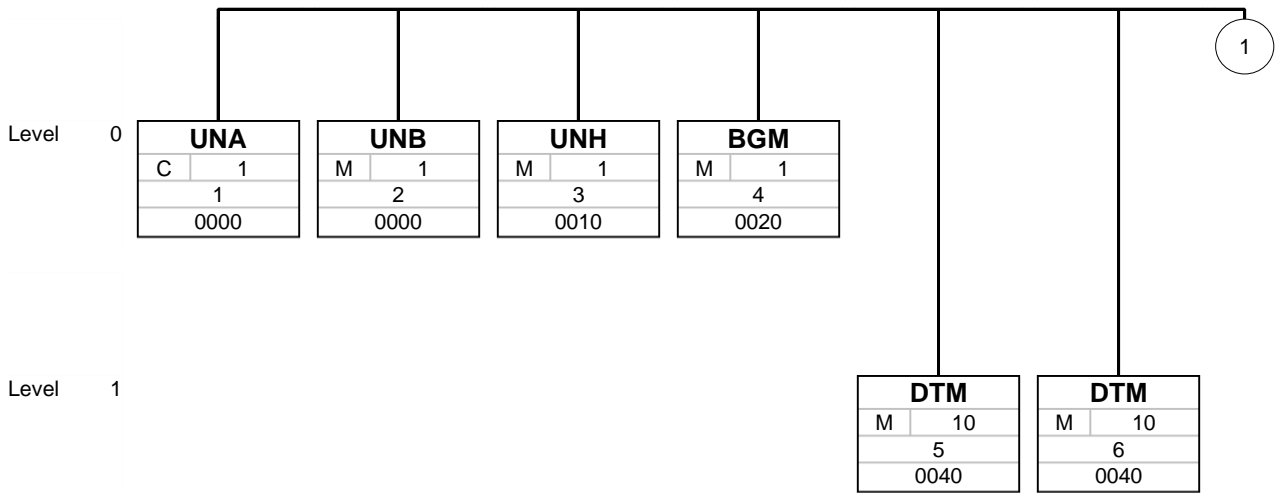
## Document Structure

Index	No.	Tag	St	MaxWdh	Level	Description
0000	1	<a href="#">UNA</a>	C	1	0	Service string advice
0000	2	<a href="#">UNB</a>	M	1	0	Interchange header
0010	3	<a href="#">UNH</a>	M	1	0	Message reference number
0020	4	<a href="#">BGM</a>	M	1	0	Document number
0040	5	<a href="#">DTM</a>	M	10	1	Document date
0040	6	<a href="#">DTM</a>	M	10	1	Date of the inventory report
0080		<b>SG2</b>	R	20	1	Addresses / Participants
0090	7	<a href="#">NAD</a>	M	1	1	Address / party
0110		<b>SG3</b>	C	99	2	Reference information about the participant
0120	8	<a href="#">RFF</a>	M	1	2	Reference
0140		<b>SG4</b>	C	10	2	Contact person at the party
0150	9	<a href="#">CTA</a>	M	1	2	Department/name of contact person
0160	10	<a href="#">COM</a>	C	5	3	Contact details (Email, Tel, Fax,...)
0290		<b>SG9</b>	C	9999999	1	Position part
0300	11	<a href="#">LIN</a>	M	1	1	Item position
0310	12	<a href="#">PIA</a>	D	10	2	Supplier article identification
0420		<b>SG11</b>	C	9999	2	Inventory information
0430	13	<a href="#">INV</a>	M	1	2	Inventory management related details
0440	14	<a href="#">QTY</a>	M	1	3	Stock quantity
0460	15	<a href="#">LOC</a>	C	5	3	Place/location identification
0470	16	<a href="#">DTM</a>	C	5	3	Delivery time
0480	17	<a href="#">STS</a>	C	9	3	Order status
0730	18	<a href="#">UNT</a>	M	1	0	Message trailer
0000	19	<a href="#">UNZ</a>	M	1	0	Number of messages in the file

Tag = Segment-/Group-Name  
 Index = Segment Index Number (in Standard)  
 No. = Unique Segment-Number in Guide  
 MaxOcc = Max. Occurrence in Segment/Group

St = Status  
 EDIFACT: M=Mandatory, C=Conditional  
 Usage: R=Required, O=Optional, D=Dependent, A=Advised,  
 N=Not used

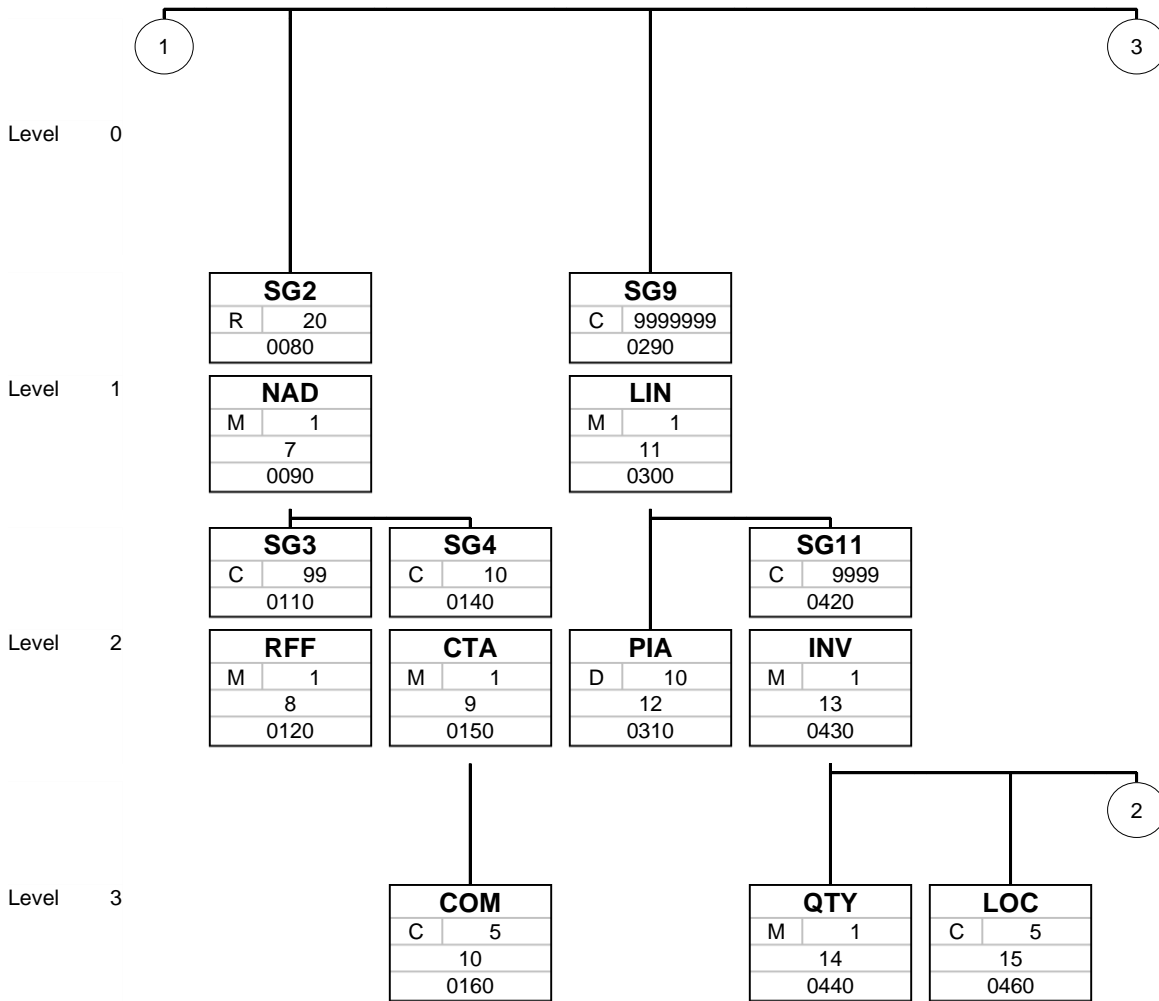
**Message structure diagram (used Segments/Groups)**



Name
St MaxOcc
No.
Index

Name = Segment-/Group-Name  
 St = Status (M=Mandatory, C=Conditional, R=Required, O=Optional, D=Dependent, A=Advised)  
 MaxOcc = Max. Occurrence of Segment/Gruppe  
 No. = Segment-Number in Guide  
 Index = Segmente-Number (in Standard)

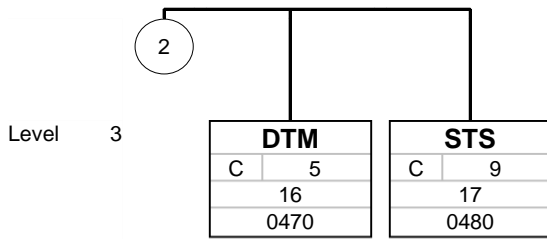
**Message structure diagram (used Segments/Groups)**



Name
St MaxOcc
No.
Index

Name = Segment-/Group-Name  
 St = Status (M=Mandatory, C=Conditional, R=Required, O=Optional, D=Dependent, A=Advised)  
 MaxOcc = Max. Occurence of Segment/Gruppe  
 No. = Segment-Number in Guide  
 Index = Segmente-Number (in Standard)

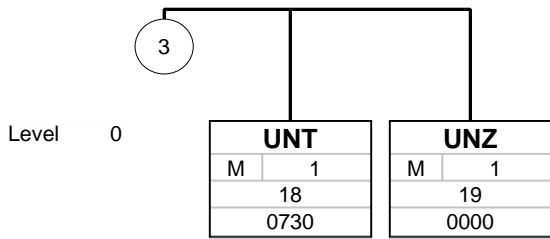
**Message structure diagram (used Segments/Groups)**



Name
St MaxOcc
No.
Index

Name = Segment-/Group-Name  
 St = Status (M=Mandatory, C=Conditional, R=Required, O=Optional, D=Dependent, A=Advised)  
 MaxOcc = Max. Occurrence of Segment/Gruppe  
 No. = Segment-Number in Guide  
 Index = Segmente-Number (in Standard)

**Message structure diagram (used Segments/Groups)**



Name
St MaxOcc
No.
Index

Name = Segment-/Group-Name  
 St = Status (M=Mandatory, C=Conditional, R=Required, O=Optional, D=Dependent, A=Advised)  
 MaxOcc = Max. Occurrence of Segment/Gruppe  
 No. = Segment-Number in Guide  
 Index = Segmente-Number (in Standard)

## Segments

Index No.	Tag	St	MaxOcc	Level	Description
0000 1	<b>UNA</b>	C	1	0	Service string advice

Standard			Implementation	
Name	Name	St Format	St Format	Usage / Remark
UNA				
UNA1	Component data element separator	M an1	M an1	: <b>Composite separator</b>
UNA2	Data element separator	M an1	M an1	+ <b>Segment separator</b>
UNA3	Decimal notation	M an1	M an1	. <b>Decimal point</b>
UNA4	Release indicator	M an1	M an1	? <b>Masking character</b>
UNA5	Reserved for future use	M an1	M an1	Space character
UNA6	Segment terminator	M an1	M an1	' <b>Segment terminator character</b>

**Remark:**

This segment defines the characters reserved for this format.  
Only the Edifact standard characters specified here apply to this format.

**Example:**

UNA:+.?'

Tag = Object-Name  
No. = Segment-Number in Guide  
MaxOcc = Max. Occurrence of Segment/Group  
Index = Index-Number of Segment/Group (in Standard)

St = Status  
EDIFACT: M=Mandatory, C=Conditional  
Usage: R=Required, O=Optional, D=Dependent, A=Advised, N=Not used



## Segments

Index No.	Tag	St	MaxOcc	Level	Description	
0000	2	<b>UNB</b>	M	1	0	Interchange header

		Standard		Implementation		
Name	Name	St	Format	St	Format	Usage / Remark
UNB						
S001	Syntax identifier	M		M		
0001	Syntax identifier	M	a4	M	a4	<b>UNOC UN/ECE level C</b>
0002	Syntax version number	M	n1	M	n1	<b>3 Version 3</b>
S002	Interchange sender	M		M		
0004	Sender identification	M	an..35	M	an..35	<b>Sender identifier (GLN)</b>
0007	Partner identification code qualifier	C	an..4	R	an..4	<b>14 GS1</b>
S003	Interchange recipient	M		M		
0010	Recipient identification	M	an..35	M	an..35	<b>Receiver identifier (GLN)</b>
0007	Partner identification code qualifier	C	an..4	R	an..4	<b>14 GS1</b>
0014	Routing address	C	an..14	C	an..14	<b>Forwarding address (GLN)</b> Only if bilaterally agreed. The recipient is responsible for the forwarding.
S004	Date/time of preparation	M		M		
0017	Date of preparation	M	n6	M	n6	<b>Date of creation (YYMMDD)</b>
0019	Time of preparation	M	n4	M	n4	<b>Time of creation (HHMM)</b>
0020	Interchange control reference	M	an..14	M	an..14	<b>Unique data exchange reference number (file counter).</b> corresponds to the specification in UNZ 0020
S005	Recipient's reference, password	C		N		
0022	Recipient's reference/password	M	an..14	N		Not used
0026	Application reference	C	an..14	C	an..14	<b>Name and version number of the sending system</b>
0029	Processing priority code	C	a1	N		Not used
0031	Acknowledgement request	C	n1	N		Not used
0032	Communications agreement ID	C	an..35	R	an..35	= "DCC-FURN-V1.0.1"

### Remark:

This segment is used to uniquely identify the sender and recipient of the message.  
 The actual technical participant is specified here. This may differ from the information in the NAD segments.  
 Technical sender and recipient must be identifiable by a unique identification number (GLN).

### Example:

UNB+UNOC:3+4003445500001:14+426526610003:14:4139916000005+190220:1423+WB89423++++DCC-FURN-V1.0.1'

The sender of the message is 400344555001, the recipient is 426526610003.

The message was created on 02.20.2019 at 14:23h and has the unique reference number WB89423.

Tag = Object-Name  
 No. = Segment-Number in Guide  
 MaxOcc = Max. Occurrence of Segment/Group  
 Index = Index-Number of Segment/Group (in Standard)

St = Status  
 EDIFACT: M=Mandatory, C=Conditional  
 Usage: R=Required, O=Optional, D=Dependent, A=Advised,  
 N=Not used

## Segments

Index No.	Tag	St	MaxOcc	Level	Description	
0010	3	<b>UNH</b>	M	1	0	Message reference number

Standard			Implementation	
Name	Name	St Format	St Format	Usage / Remark
UNH				
0062	Message reference number	M an..14	M an..14	
S009	Message identifier	M	M	
0065	Message type	M an..6	M an..6	<b>INVRPT Inventory report message</b>
0052	Message version number	M an..3	M an..3	<b>D Draft version/UN/EDIFACT Directory</b>
0054	Message release number	M an..3	M an..3	<b>01B Release 2001 - B</b>
0051	Controlling agency	M an..2	M an..2	<b>UN UN/CEFACT</b>
0057	Association assigned code	C an..6	A an..6	<b>EAN010 GS1 version control number (GS1 Permanent Code)</b>

**Remark:**

Unique reference number of the sender or consecutive number of the messages in the data exchange. Identical with DE 0062 in UNT.

**Example:**

UNH+111+INV RPT:D:01B:UN:EAN001'

The reference number of the INV RPT message is 111

Tag = Object-Name

No. = Segment-Number in Guide

MaxOcc = Max. Occurrence of Segment/Group

Index = Index-Number of Segment/Group (in Standard)

St = Status

EDIFACT: M=Mandatory, C=Conditional

Usage: R=Required, O=Optional, D=Dependent, A=Advised,

N=Not used

## Segments

Index No.	Tag	St	MaxOcc	Level	Description	
0020	4	<b>BGM</b>	M	1	0	Document number

Standard			Implementation	
Name	Name	St Format	St Format	Usage / Remark
BGM				
C002	Document/message name	C	C	
1001	Document name code	C an..3	R an..3	<b>35 Inventory report</b>
C106	Document/message identification	C	C	
1004	Document identifier	C an..35	R an..35	<b>Number of the inventory report</b>
1225	Message function code	C an..3	R an..3	<b>9 Original</b>

### Remark:

In this segment the document type and the unique document number of the document issuer are specified

### Example:

BGM+35+257238+9'

The document number of the document is 265751. This is the original document.

Tag = Object-Name

No. = Segment-Number in Guide

MaxOcc = Max. Occurrence of Segment/Group

Index = Index-Number of Segment/Group (in Standard)

St = Status

EDIFACT: M=Mandatory, C=Conditional

Usage: R=Required, O=Optional, D=Dependent, A=Advised,

N=Not used

## Segments

Index No.	Tag	St	MaxOcc	Level	Description	
0040	5	<b>DTM</b>	M	10	1	Document date

Standard			Implementation	
Name	Name	St Format	St Format	Usage / Remark
DTM				
C507	Date/time/period	M	M	
2005	Date or time or period function code qualifier	M an..3	M an..3	<b>137 Document/message date/time</b>
2380	Date or time or period value	C an..35	R an..35	<b>Document date</b>
2379	Date or time or period format code	C an..3	R an..3	<b>102 CCYYMMDD</b>

**Remark:**

Date on which the document was created

**Example:**

DTM+137:20190220:102'

The document was created on 20.02.2019

Tag = Object-Name  
 No. = Segment-Number in Guide  
 MaxOcc = Max. Occurrence of Segment/Group  
 Index = Index-Number of Segment/Group (in Standard)

St = Status  
 EDIFACT: M=Mandatory, C=Conditional  
 Usage: R=Required, O=Optional, D=Dependent, A=Advised,  
 N=Not used

## Segments

Index No.	Tag	St	MaxOcc	Level	Description	
0040	6	<b>DTM</b>	M	10	1	Date of the inventory report

Standard			Implementation	
Name	Name	St Format	St Format	Usage / Remark
DTM				
C507	Date/time/period	M	M	
2005	Date or time or period function code qualifier	M an..3	M an..3	<b>366 Inventory report date</b>
2380	Date or time or period value	C an..35	R an..35	<b>Inventory Report Date</b>
2379	Date or time or period format code	C an..3	R an..3	<b>102 CCYYMMDD</b> <b>203 CCYYMMDDHHMM</b>

### Remark:

This DTM segment is used if the date of the inventory report differs from the document date.

### Example:

DTM+366:201902219:102'

Inventory report created on 2019-02-19

Tag = Object-Name

No. = Segment-Number in Guide

MaxOcc = Max. Occurrence of Segment/Group

Index = Index-Number of Segment/Group (in Standard)

St = Status

EDIFACT: M=Mandatory, C=Conditional

Usage: R=Required, O=Optional, D=Dependent, A=Advised,

N=Not used

## Segments

Index No.	Tag	St	MaxOcc	Level	Description
0080	<b>SG2</b>	R	20	1	Addresses / Participants
0090	<b>NAD</b>	M	1	1	Address / party

Standard			Implementation	
Name	Name	St Format	St Format	Usage / Remark
NAD				
3035	Party function code qualifier	M an..3	M an..3	<b>SU Supplier</b> <b>BY Buyer</b> <b>SN Store number</b>
C082	Party identification details	C	C	
3039	Party identifier	M an..35	M an..35	<b>GLN of the participant</b>
1131	Code list identification code	C an..17	N	Not used
3055	Code list responsible agency code	C an..3	C an..3	<b>9 GS1</b>

### Remark:

Supplier details

### Example:

NAD+SU+4003445555001::9'

The GLN of the supplier is 4003445555001

Tag = Object-Name  
 No. = Segment-Number in Guide  
 MaxOcc = Max. Occurrence of Segment/Group  
 Index = Index-Number of Segment/Group (in Standard)

St = Status  
 EDIFACT: M=Mandatory, C=Conditional  
 Usage: R=Required, O=Optional, D=Dependent, A=Advised,  
 N=Not used

## Segments

Index No.	Tag	St	MaxOcc	Level	Description
0080	<b>SG2</b>	R	20	1	Addresses / Participants
0110	<b>SG3</b>	C	99	2	Reference information about the participant
0120	8 <b>RFF</b>	M	1	2	Reference

Standard			Implementation	
Name	Name	St Format	St Format	Usage / Remark
RFF				
C506	Reference	M	M	
1153	Reference code qualifier	M an..3	M an..3	<b>YC1 Additional party identification (GS1 Temporary Code)</b>
1154	Reference identifier	C an..70	C an..70	<b>Reference number</b>

### Remark:

Additional identification number of the party

### Example:

RFF+YC1:2424-23'

The party is additionally identified by 2424-23.

Tag = Object-Name  
 No. = Segment-Number in Guide  
 MaxOcc = Max. Occurrence of Segment/Group  
 Index = Index-Number of Segment/Group (in Standard)

St = Status  
 EDIFACT: M=Mandatory, C=Conditional  
 Usage: R=Required, O=Optional, D=Dependent, A=Advised,  
 N=Not used

## Segments

Index No.	Tag	St	MaxOcc	Level	Description
0080	<b>SG2</b>	R	20	1	Addresses / Participants
0140	<b>SG4</b>	C	10	2	Contact person at the party
0150	9 <b>CTA</b>	M	1	2	Department/name of contact person

Standard			Implementation	
Name	Name	St Format	St Format	Usage / Remark
CTA				
3139	Contact function code	C an..3	C an..3	<b>CN Consignee</b>
C056	Department or employee details	C	C	
3413	Department or employee name code	C an..17	O an..17	
3412	Department or employee name	C an..35	O an..35	<b>Names of the department / contact person</b>

### Remark:

Name of contact person or department

### Example:

CTA+CN+:D. Kunz'

The clerk in the purchasing department is D. Kunz

Tag = Object-Name  
 No. = Segment-Number in Guide  
 MaxOcc = Max. Occurrence of Segment/Group  
 Index = Index-Number of Segment/Group (in Standard)

St = Status  
 EDIFACT: M=Mandatory, C=Conditional  
 Usage: R=Required, O=Optional, D=Dependent, A=Advised,  
 N=Not used



## Segments

Index No.	Tag	St	MaxOcc	Level	Description
0080	<b>SG2</b>	R	20	1	Addresses / Participants
0140	<b>SG4</b>	C	10	2	Contact person at the party
0160 10	<b>COM</b>	C	5	3	Contact details (Email,Tel, Fax,...)

Standard			Implementation	
Name	Name	St Format	St Format	Usage / Remark
COM				
C076	Communication contact	M	M	
3148	Communication address identifier	M an..512	M an..512	<b>Communication address</b> Email address, phone,...
3155	Communication address code qualifier	M an..3	M an..3	<b>EM Electronic mail</b> <b>TE Telephone</b> <b>FX Fax</b> Further codes possible according to EANCOM code list

### Remark:

Phone number of the contact person or department

### Example:

COM+d.kunz@example.org;EM'

The email address is d.kunz@example.org

Tag = Object-Name

No. = Segment-Number in Guide

MaxOcc = Max. Occurrence of Segment/Group

Index = Index-Number of Segment/Group (in Standard)

St = Status

EDIFACT: M=Mandatory, C=Conditional

Usage: R=Required, O=Optional, D=Dependent, A=Advised,

N=Not used

## Segments

Index No.	Tag	St	MaxOcc	Level	Description
0290	<b>SG9</b>	C	9999999	1	Position part
0300 11	<b>LIN</b>	M	1	1	Item position

Standard			Implementation	
Name	Name	St Format	St Format	Usage / Remark
LIN				
1082	Line item identifier	C an..6	C an..6	<b>Item number</b>
1229	Action request/notification description code	C an..3	N	Not used
C212	Item number identification	C	C	
7140	Item identifier	C an..35	C an..35	<b>GTIN of the article</b>
7143	Item type identification code	C an..3	C an..3	<b>SRV GS1 Global Trade Item Number</b>

### Remark:

Contains the item number and the GTIN of the item.

### Example:

LIN+1++4220026610106:SRV'

Reported sales quantities are for product with GTIN 4220026610106.

Tag = Object-Name  
 No. = Segment-Number in Guide  
 MaxOcc = Max. Occurrence of Segment/Group  
 Index = Index-Number of Segment/Group (in Standard)

St = Status  
 EDIFACT: M=Mandatory, C=Conditional  
 Usage: R=Required, O=Optional, D=Dependent, A=Advised,  
 N=Not used

## Segments

Index No.	Tag	St	MaxOcc	Level	Description
0290	<b>SG9</b>	C	9999999	1	<b>Position part</b>
0310 12	<b>PIA</b>	D	10	2	<b>Supplier article identification</b>

Standard			Implementation	
Name	Name	St Format	St Format	Usage / Remark
PIA				
4347	Product identifier code qualifier	M an..3	M an..3	<b>1 Additional identification</b>
C212	Item number identification	M	M	
7140	Item identifier	C an..35	C an..35	<b>Item number</b>
7143	Item type identification code	C an..3	C an..3	
1131	Code list identification code	C an..17	N	Not used
3055	Code list responsible agency code	C an..3	C an..3	<b>91 Assigned by supplier or supplier's agent</b>

### Remark:

Alternative identification number of the item. Can be used alternatively if the item has no GTIN.

### Example:

PIA+1+PRD99887:SA::91'

The number assigned by the supplier for this item is PRD99887.

Tag = Object-Name  
 No. = Segment-Number in Guide  
 MaxOcc = Max. Occurrence of Segment/Group  
 Index = Index-Number of Segment/Group (in Standard)

St = Status  
 EDIFACT: M=Mandatory, C=Conditional  
 Usage: R=Required, O=Optional, D=Dependent, A=Advised,  
 N=Not used

**Segments**

Index No.	Tag	St	MaxOcc	Level	Description
0290	<b>SG9</b>	C	9999999	1	<b>Position part</b>
0420	<b>SG11</b>	C	9999	2	<b>Inventory information</b>
0430 13	<b>INV</b>	M	1	2	<b>Inventory management related details</b>

Standard			Implementation	
Name	Name	St Format	St Format	Usage / Remark
INV				
4501	Inventory movement direction code	C an..3	N	Not used
7491	Inventory type code	C an..3	N	Not used
4499	Inventory movement reason code	C an..3	N	Not used
4503	Inventory balance method code	C an..3	C an..3	<b>2 Formal inventory balance</b>

**Remark:**  
Specification of the type of inventory information

**Example:**  
INV+++2 1  
The following information refers to the actual inventory

Tag = Object-Name  
No. = Segment-Number in Guide  
MaxOcc = Max. Occurrence of Segment/Group  
Index = Index-Number of Segment/Group (in Standard)

St = Status  
EDIFACT: M=Mandatory, C=Conditional  
Usage: R=Required, O=Optional, D=Dependent, A=Advised, N=Not used

## Segments

Index No.	Tag	St	MaxOcc	Level	Description
0290	<b>SG9</b>	C	9999999	1	<b>Position part</b>
0420	<b>SG11</b>	C	9999	2	<b>Inventory information</b>
0440 14	<b>QTY</b>	M	1	3	<b>Stock quantity</b>

Standard			Implementation	
Name	Name	St Format	St Format	Usage / Remark
QTY				
C186	Quantity details	M	M	
6063	Quantity type code qualifier	M an..3	M an..3	<b>145 Actual stock</b>
6060	Quantity	M an..35	M an..35	<b>Stock quantity</b>
6411	Measurement unit code	C an..3	C an..3	<b>LTR litre</b> <b>KGM kilogram</b> <b>PCE Piece (GS1 Temporary Code)</b>

**Remark:**

The current physical quantity in the warehouse can be specified here. An indication of the unit of measurement is only necessary for quantity-variable articles.

**Example:**

QTY+145:220'

There are 220 pieces in stock

Tag = Object-Name  
 No. = Segment-Number in Guide  
 MaxOcc = Max. Occurrence of Segment/Group  
 Index = Index-Number of Segment/Group (in Standard)

St = Status  
 EDIFACT: M=Mandatory, C=Conditional  
 Usage: R=Required, O=Optional, D=Dependent, A=Advised,  
 N=Not used

## Segments

Index No.	Tag	St	MaxOcc	Level	Description
0290	<b>SG9</b>	C	9999999	1	<b>Position part</b>
0420	<b>SG11</b>	C	9999	2	<b>Inventory information</b>
0460 15	<b>LOC</b>	C	5	3	<b>Place/location identification</b>

Standard			Implementation	
Name	Name	St Format	St Format	Usage / Remark
LOC				
3227	Location function code qualifier	M an..3	M an..3	<b>14 Location of goods</b>
C517	Location identification	C	C	
3225	Location name code	C an..25	C an..25	<b>Location of the goods</b>
1131	Code list identification code	C an..17	N	Not used
3055	Code list responsible agency code	C an..3	C an..3	<b>9 GS1</b> <b>91 Assigned by supplier or supplier's agent</b>

**Remark:**

In this segment you can enter information about the location of the article. This information is only useful if there are several article locations and this information is relevant at all.

It is recommended to use GLN numbers here.

**Example:**

LOC+14+HANNOVER-3::91'

The item is located at "HANNOVER-3".

Tag = Object-Name  
 No. = Segment-Number in Guide  
 MaxOcc = Max. Occurrence of Segment/Group  
 Index = Index-Number of Segment/Group (in Standard)

St = Status  
 EDIFACT: M=Mandatory, C=Conditional  
 Usage: R=Required, O=Optional, D=Dependent, A=Advised,  
 N=Not used

## Segments

Index No.	Tag	St	MaxOcc	Level	Description
0290	<b>SG9</b>	C	9999999	1	<b>Position part</b>
0420	<b>SG11</b>	C	9999	2	<b>Inventory information</b>
0470 16	<b>DTM</b>	C	5	3	<b>Delivery time</b>

Standard			Implementation	
Name	Name	St Format	St Format	Usage / Remark
DTM				
C507	Date/time/period	M	M	
2005	Date or time or period function code qualifier	M an..3	M an..3	<b>169 Regular delivery time</b>
2380	Date or time or period value	C an..35	C an..35	<b>Delivery time</b>
2379	Date or time or period format code	C an..3	C an..3	<b>804 Day</b>

**Remark:**

Here you can specify how long the delivery time of the item is if it is available for order.

**Example:**

DTM+169:7:804!  
Delivery time is 7 days

Tag = Object-Name  
No. = Segment-Number in Guide  
MaxOcc = Max. Occurrence of Segment/Group  
Index = Index-Number of Segment/Group (in Standard)

St = Status  
EDIFACT: M=Mandatory, C=Conditional  
Usage: R=Required, O=Optional, D=Dependent, A=Advised, N=Not used

## Segments

Index No.	Tag	St	MaxOcc	Level	Description
0290	<b>SG9</b>	C	9999999	1	Position part
0420	<b>SG11</b>	C	9999	2	Inventory information
0480 17	<b>STS</b>	C	9	3	Order status

Standard			Implementation	
Name	Name	St Format	St Format	Usage / Remark
<b>STS</b>				
C601	Status category	C	C	
9015	Status category code	M an..3	M an..3	<b>7 Status code list (GS1 Temporary Code)</b>
1131	Code list identification code	C an..17	N	Not used
3055	Code list responsible agency code	C an..3	C an..3	<b>9 GS1</b>
C555	Status	C	C	
4405	Status description code	M an..3	M an..3	<b>Order status</b> <b>71 Available for ordering</b> <b>72 Not available for ordering</b>
1131	Code list identification code	C an..17	N	Not used
3055	Code list responsible agency code	C an..3	C an..3	<b>9 GS1</b>

**Remark:**

Here you can specify whether an item can be ordered or not.

**Example:**

STS+7::9+71::9'

The article is available for order.

Tag = Object-Name  
 No. = Segment-Number in Guide  
 MaxOcc = Max. Occurrence of Segment/Group  
 Index = Index-Number of Segment/Group (in Standard)

St = Status  
 EDIFACT: M=Mandatory, C=Conditional  
 Usage: R=Required, O=Optional, D=Dependent, A=Advised,  
 N=Not used



## Segments

Index No.	Tag	St	MaxOcc	Level	Description
0730 18	<b>UNT</b>	M	1	0	Message trailer

Standard			Implementation	
Name	Name	St Format	St Format	Usage / Remark
UNT				
0074	Number of segments in the message	M n..6	M n..6	<b>Number of segments in the message</b>
0062	Message reference number	M an..14	M an..14	Unique reference number of the sender or consecutive number of the messages in the data exchange. Identical with DE 0062 in UNH.

### Remark:

### Example:

UNT+16+111'

The message contains 16 segments

Tag = Object-Name  
 No. = Segment-Number in Guide  
 MaxOcc = Max. Occurrence of Segment/Group  
 Index = Index-Number of Segment/Group (in Standard)

St = Status  
 EDIFACT: M=Mandatory, C=Conditional  
 Usage: R=Required, O=Optional, D=Dependent, A=Advised,  
 N=Not used

## Segments

Index	No.	Tag	St	MaxOcc	Level	Description
0000	19	<b>UNZ</b>	M	1	0	Number of messages in the file

Standard			Implementation	
Name	Name	St Format	St Format	Usage / Remark
UNZ				
0036	Interchange control count	M n..6	M n..6	
0020	Interchange control reference	M an..14	M an..14	<b>unique data exchange reference number (file counter).</b> corresponds to the specification in UNB 0020

### Remark:

### Example:

UNZ+3+WB89423'

The message contains three documents and bears the reference number WB89423

Tag = Object-Name

No. = Segment-Number in Guide

MaxOcc = Max. Occurrence of Segment/Group

Index = Index-Number of Segment/Group (in Standard)

St = Status

EDIFACT: M=Mandatory, C=Conditional

Usage: R=Required, O=Optional, D=Dependent, A=Advised,

N=Not used

## Example

No.	Name	Example
1	UNA	UNA:+.? '
2	UNB	UNB+UNOC:3+4003445500001:14+426526610003:14:4139916000005+190220:1423+WB89423++++DCC-FURN-V1.0.1' The sender of the message is 400344555001, the recipient is 426526610003. The message was created on 02.20.2019 at 14:23h and has the unique reference number WB89423.
3	UNH	UNH+111+INV RPT:D:01B:UN:EAN001 ' The reference number of the INV RPT message is 111
4	BGM	BGM+35+257238+9 ' The document number of the document is 265751. This is the original document.
5	DTM	DTM+137:20190220:102 ' The document was created on 20.02.2019
6	DTM	DTM+366:201902219:102 ' Inventory report created on 2019-02-19
<b>SG2</b>		
7	NAD	NAD+SU+4003445555001::9 ' The GLN of the supplier is 4003445555001
<b>SG3</b>		
8	RFF	RFF+YC1:2424-23 ' The party is additionally identified by 2424-23.
<b>SG4</b>		
9	CTA	CTA+CN+:D. Kunz ' The clerk in the purchasing department is D. Kunz
10	COM	COM+d.kunz@example.org:EM ' The email address is d.kunz@example.org
<b>SG9</b>		
11	LIN	LIN+1++4220026610106:SRV ' Reported sales quantities are for product with GTIN 4220026610106.
12	PIA	PIA+1+PRD99887:SA::91 ' The number assigned by the supplier for this item is PRD99887.
<b>SG11</b>		
13	INV	INV++++2 ' The following information refers to the actual inventory
14	QTY	QTY+145:220 ' There are 220 pieces in stock
15	LOC	LOC+14+HANNOVER-3::91 ' The item is located at "HANNOVER-3".
16	DTM	DTM+169:7:804 ' Delivery time is 7 days
17	STS	STS+7::9+71::9 ' The article is available for order.
18	UNT	UNT+16+111 ' The message contains 16 segments
19	UNZ	UNZ+3+WB89423 ' The message contains three documents and bears the reference number WB89423

No. = Segment-Number in Guide