



EDI Guide

Inventory Report (INVOIC)

Electronic Data Interchange for Furniture

based on
EANCOM 2012

Version: 1.0
Variant: DCC-FURN
Published: 09.06.2021
Author: IWO furn

Contact

Daten Competence Center e. V.
Dr.-Ing. Olaf Plümer
Geschäftsführer
Goebenstraße 4-10
32052 Herford
Tel.: +49 52 21 / 12 65 37
Fax.: +49 52 21 / 12 65 5 37

E-Mail: pluemer@dcc-moebel.org
Info: www.dcc-moebel.org



**Daten
Competence
Center e. V.**

Table of Contents

1 Structure.....	3
2 Diagram	4
3 Segments	8
4 Examples.....	27

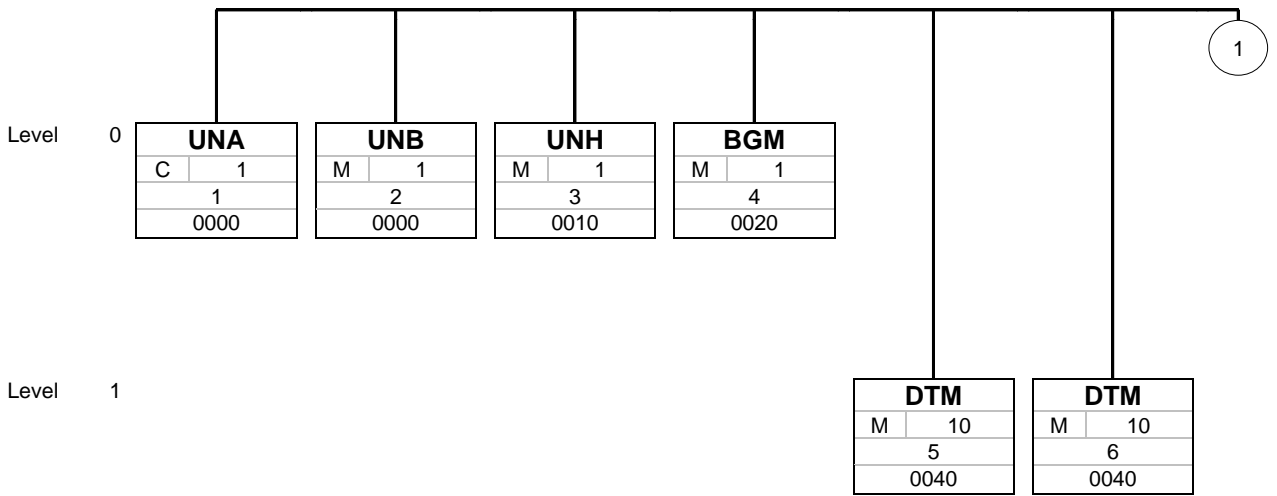
Document Structure

Index	No.	Tag	St	MaxWdh	Level	Description
0000	1	UNA	C	1	0	Service string advice
0000	2	UNB	M	1	0	Interchange header
0010	3	UNH	M	1	0	Message reference number
0020	4	BGM	M	1	0	Document number
0040	5	DTM	M	10	1	Document date
0040	6	DTM	M	10	1	Date of the inventory report
0080		SG2	R	20	1	Addresses / Participants
0090	7	NAD	M	1	1	Address / party
0110		SG3	C	99	2	Reference information about the participant
0120	8	RFF	M	1	2	Reference
0140		SG4	C	10	2	Contact person at the party
0150	9	CTA	M	1	2	Department/name of contact person
0160	10	COM	C	5	3	Contact details (Email,Tel, Fax,...)
0290		SG9	C	9999999	1	Position part
0300	11	LIN	M	1	1	Item position
0310	12	PIA	D	10	2	Supplier article identification
0420		SG11	C	9999	2	Inventory information
0430	13	INV	M	1	2	Inventory management related details
0440	14	QTY	M	1	3	Stock quantity
0460	15	LOC	C	5	3	Place/location identification
0470	16	DTM	C	5	3	Delivery time
0480	17	STS	C	9	3	Order status
0730	18	UNT	M	1	0	Message trailer
0000	19	UNZ	M	1	0	Number of messages in the file

Tag = Segment-/Group-Name
 Index = Segment Index Number (in Standard)
 No. = Unique Segment-Number in Guide
 MaxOcc = Max. Occurrence in Segment/Group

St = Status
 EDIFACT: M=Mandatory, C=Conditional
 Usage: R=Required, O=Optional, D=Dependent, A=Advised,
 N=Not used

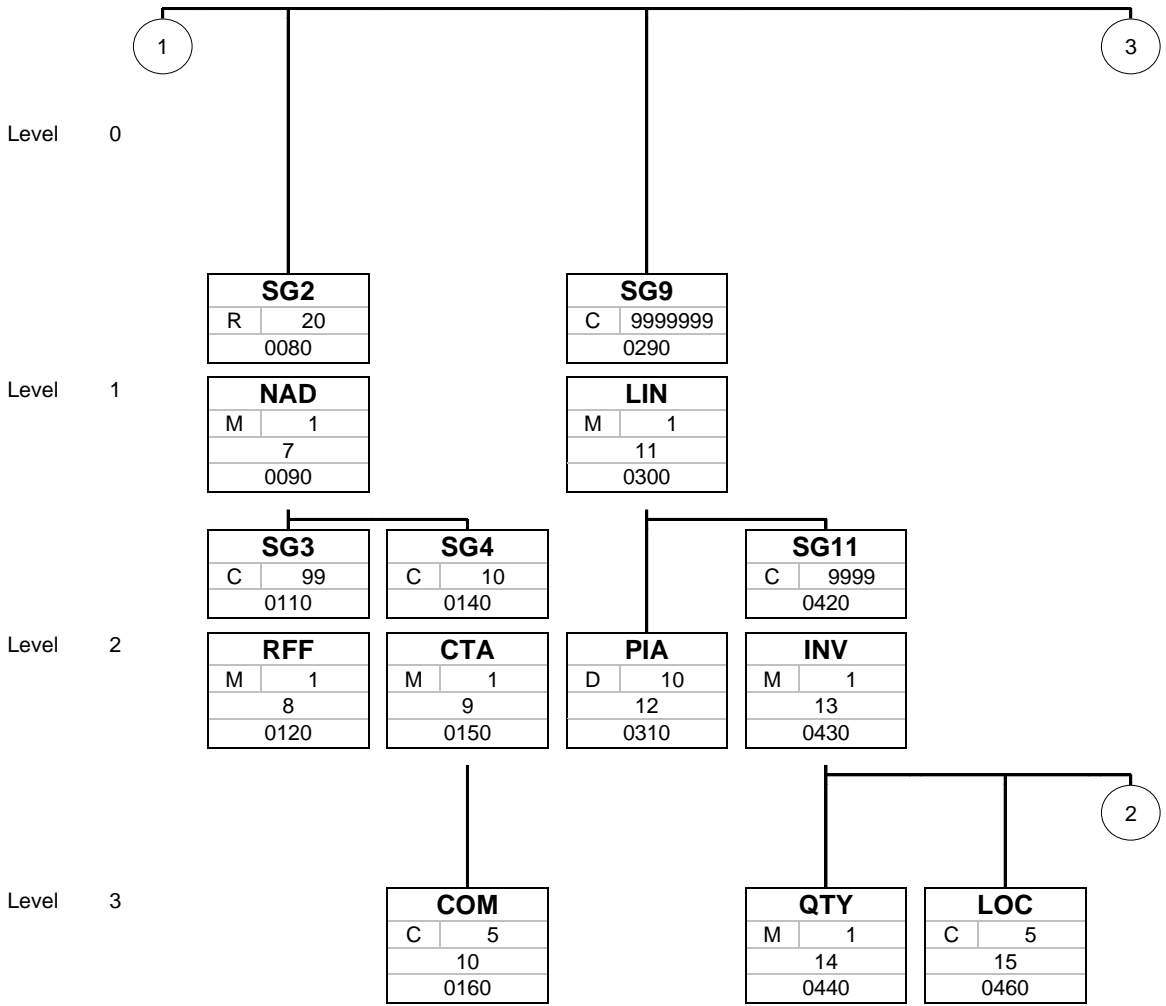
Message structure diagram (used Segments/Groups)



Name
St MaxOcc
No.
Index

Name = Segment-/Group-Name
 St = Status (M=Mandatory, C=Conditional, R=Required, O=Optional, D=Dependent, A=Advised)
 MaxOcc = Max. Occurrence of Segment/Gruppe
 No. = Segment-Number in Guide
 Index = Segmente-Number (in Standard)

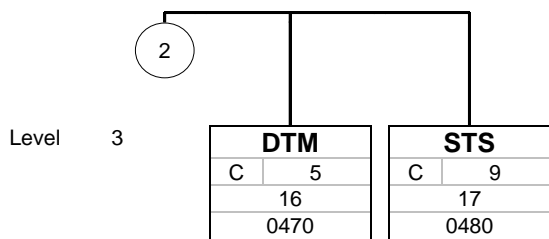
Message structure diagram (used Segments/Groups)



Name
St MaxOcc
No.
Index

Name = Segment-/Group-Name
 St = Status (M=Mandatory, C=Conditional, R=Required, O=Optional, D=Dependent, A=Advised)
 MaxOcc = Max. Occurence of Segment/Gruppe
 No. = Segment-Number in Guide
 Index = Segmente-Number (in Standard)

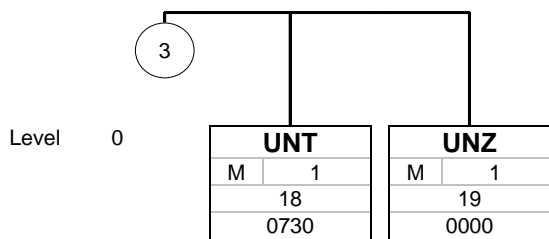
Message structure diagram (used Segments/Groups)



Name
St MaxOcc
No.
Index

Name = Segment-/Group-Name
 St = Status (M=Mandatory, C=Conditional, R=Required, O=Optional, D=Dependent, A=Advised)
 MaxOcc = Max. Occurrence of Segment/Gruppe
 No. = Segment-Number in Guide
 Index = Segmente-Number (in Standard)

Message structure diagram (used Segments/Groups)



Name
St MaxOcc
No.
Index

Name = Segment-/Group-Name
 St = Status (M=Mandatory, C=Conditional, R=Required, O=Optional, D=Dependent, A=Advised)
 MaxOcc = Max. Occurrence of Segment/Gruppe
 No. = Segment-Number in Guide
 Index = Segmente-Number (in Standard)

Segments

Index No.	Tag	St	MaxOcc	Level	Description	
0000	1	UNA	C	1	0	Service string advice

		Standard	Implementation	
Name	Description	St Format	St Format	Usage / Remark
UNA				
UNA1	Component data element separator	M an1	M an1	: Composite separator
UNA2	Data element separator	M an1	M an1	+ Segment separator
UNA3	Decimal notation	M an1	M an1	. Decimal point
UNA4	Release indicator	M an1	M an1	? Masking character
UNA5	Reserved for future use	M an1	M an1	Space character
UNA6	Segment terminator	M an1	M an1	' Segment terminator character

Remark:

This segment defines the characters reserved for this format.
 Only the Edifact standard characters specified here apply to this format.

Example:

UNA:+.?'

Tag = Object-Name
 No. = Segment-Number in Guide
 MaxOcc = Max. Occurrence of Segment/Group
 Index = Index-Number of Segment/Group (in Standard)

St = Status
 EDIFACT: M=Mandatory, C=Conditional
 Usage: R=Required, O=Optional, D=Dependent, A=Advised,
 N=Not used

Segments

Index No.	Tag	St	MaxOcc	Level	Description	
0010	3	UNH	M	1	0	Message reference number

		Standard	Implementation	
Name	Description	St Format	St Format	Usage / Remark
UNH				
0062	Message reference number	M an..14	M an..14	
S009	Message identifier	M	M	
0065	Message type	M an..6	M an..6	INVRPT Inventory report message
0052	Message version number	M an..3	M an..3	D Draft version/UN/EDIFACT Directory
0054	Message release number	M an..3	M an..3	01B Release 2001 - B
0051	Controlling agency	M an..2	M an..2	UN UN/CEFACT
0057	Association assigned code	C an..6	A an..6	EAN010 GS1 version control number (GS1 Permanent Code)

Remark:

Unique reference number of the sender or consecutive number of the messages in the data exchange. Identical with DE 0062 in UNT.

Example:

UNH+111+INVRPT:D:01B:UN:EAN001'

The reference number of the INVRPT message is 111

Tag = Object-Name
 No. = Segment-Number in Guide
 MaxOcc = Max. Occurence of Segment/Group
 Index = Index-Number of Segment/Group (in Standard)

St = Status
 EDIFACT: M=Mandatory, C=Conditional
 Usage: R=Required, O=Optional, D=Dependent, A=Advised, N=Not used

Segments

Index No.	Tag	St	MaxOcc	Level	Description
0020	4 BGM	M	1	0	Document number

		Standard	Implementation	
Name	Description	St Format	St Format	Usage / Remark
BGM				
C002	Document/message name	C	C	
1001	Document name code	C an..3	R an..3	35 Inventory report
C106	Document/message identification	C	C	
1004	Document identifier	C an..35	R an..35	Number of the inventory report
1225	Message function code	C an..3	R an..3	9 Original

Remark:

In this segment the document type and the unique document number of the document issuer are specified

Example:

BGM+35+257238+9'

The document number of the document is 265751. This is the original document.

Tag = Object-Name

No. = Segment-Number in Guide

MaxOcc = Max. Occurrence of Segment/Group

Index = Index-Number of Segment/Group (in Standard)

St = Status

EDIFACT: M=Mandatory, C=Conditional

Usage: R=Required, O=Optional, D=Dependent, A=Advised,

N=Not used

Segments

Index No.	Tag	St	MaxOcc	Level	Description	
0040	5	DTM	M	10	1	Document date

		Standard	Implementation		
Name	Description	St Format	St Format	Usage / Remark	
DTM					
C507	Date/time/period	M	M		
2005	Date or time or period function code qualifier	M an..3	M an..3	137 Document/message date/time	
2380	Date or time or period value	C an..35	R an..35	Document date	
2379	Date or time or period format code	C an..3	R an..3	102 CCYYMMDD	

Remark:

Date on which the document was created

Example:

DTM+137:20190220:102'

The document was created on 20.02.2019

Tag = Object-Name
 No. = Segment-Number in Guide
 MaxOcc = Max. Occurrence of Segment/Group
 Index = Index-Number of Segment/Group (in Standard)

St = Status
 EDIFACT: M=Mandatory, C=Conditional
 Usage: R=Required, O=Optional, D=Dependent, A=Advised,
 N=Not used

Segments

Index No.	Tag	St	MaxOcc	Level	Description	
0040	6	DTM	M	10	1	Date of the inventory report

		Standard	Implementation		
Name	Description	St Format	St Format	Usage / Remark	
DTM					
C507	Date/time/period	M	M		
2005	Date or time or period function code qualifier	M an..3	M an..3	366 Inventory report date	
2380	Date or time or period value	C an..35	R an..35	Inventory Report Date	
2379	Date or time or period format code	C an..3	R an..3	102 CCYYMMDD 203 CCYYMMDDHHMM	

Remark:

This DTM segment is used if the date of the inventory report differs from the document date.

Example:

DTM+366:201902219:102'

Inventory report created on 2019-02-19

Tag = Object-Name
 No. = Segment-Number in Guide
 MaxOcc = Max. Occurrence of Segment/Group
 Index = Index-Number of Segment/Group (in Standard)

St = Status
 EDIFACT: M=Mandatory, C=Conditional
 Usage: R=Required, O=Optional, D=Dependent, A=Advised, N=Not used

Segments

Index No.	Tag	St	MaxOcc	Level	Description
0080	SG2	R	20	1	Addresses / Participants
0090	NAD	M	1	1	Address / party

		Standard	Implementation	
Name	Description	St Format	St Format	Usage / Remark
NAD				
3035	Party function code qualifier	M an..3	M an..3	SU Supplier BY Buyer SN Store number
C082	Party identification details	C	C	
3039	Party identifier	M an..35	M an..35	GLN of the participant
1131	Code list identification code	C an..17	N	Not used
3055	Code list responsible agency code	C an..3	C an..3	9 GS1

Remark:

Supplier details

Example:

NAD+SU+4003445555001::9'

The GLN of the supplier is 4003445555001

Tag = Object-Name
 No. = Segment-Number in Guide
 MaxOcc = Max. Occurrence of Segment/Group
 Index = Index-Number of Segment/Group (in Standard)

St = Status
 EDIFACT: M=Mandatory, C=Conditional
 Usage: R=Required, O=Optional, D=Dependent, A=Advised,
 N=Not used

Segments

Index No.	Tag	St	MaxOcc	Level	Description
0080	SG2	R	20	1	Addresses / Participants
0110	SG3	C	99	2	Reference information about the participant
0120	RFF	M	1	2	Reference

		Standard	Implementation	
Name	Description	St Format	St Format	Usage / Remark
RFF				
C506	Reference	M	M	
1153	Reference code qualifier	M an..3	M an..3	YC1 Additional party identification (GS1 Temporary Code)
1154	Reference identifier	C an..70	C an..70	Reference number

Remark:

Additional identification number of the party

Example:

RFF+YC1:2424-23'

The party is additionally identified by 2424-23.

Tag = Object-Name
 No. = Segment-Number in Guide
 MaxOcc = Max. Occurrence of Segment/Group
 Index = Index-Number of Segment/Group (in Standard)

St = Status
 EDIFACT: M=Mandatory, C=Conditional
 Usage: R=Required, O=Optional, D=Dependent, A=Advised,
 N=Not used

Segments

Index No.	Tag	St	MaxOcc	Level	Description
0080	SG2	R	20	1	Addresses / Participants
0140	SG4	C	10	2	Contact person at the party
0150	9 CTA	M	1	2	Department/name of contact person

		Standard	Implementation	
Name	Description	St Format	St Format	Usage / Remark
CTA				
3139	Contact function code	C an..3	C an..3	CN Consignee
C056	Department or employee details	C	C	
3413	Department or employee name code	C an..17	O an..17	
3412	Department or employee name	C an..35	O an..35	Names of the department / contact person

Remark:

Name of contact person or department

Example:

CTA+CN+:D. Kunz'

The clerk in the purchasing department is D. Kunz

Tag = Object-Name
 No. = Segment-Number in Guide
 MaxOcc = Max. Occurrence of Segment/Group
 Index = Index-Number of Segment/Group (in Standard)

St = Status
 EDIFACT: M=Mandatory, C=Conditional
 Usage: R=Required, O=Optional, D=Dependent, A=Advised,
 N=Not used

Segments

Index No.	Tag	St	MaxOcc	Level	Description
0290	SG9	C	9999999	1	Position part
0300 11	LIN	M	1	1	Item position

		Standard	Implementation	
Name	Description	St Format	St Format	Usage / Remark
LIN				
1082	Line item identifier	C an..6	C an..6	Item number
1229	Action request/notification description code	C an..3	N	Not used
C212	Item number identification	C	C	
7140	Item identifier	C an..35	C an..35	GTIN of the article
7143	Item type identification code	C an..3	C an..3	SRV GS1 Global Trade Item Number

Remark:

Contains the item number and the GTIN of the item.

Example:

LIN+1++4220026610106:SRV'

Reported sales quantities are for product with GTIN 4220026610106.

Tag = Object-Name
 No. = Segment-Number in Guide
 MaxOcc = Max. Occurrence of Segment/Group
 Index = Index-Number of Segment/Group (in Standard)

St = Status
 EDIFACT: M=Mandatory, C=Conditional
 Usage: R=Required, O=Optional, D=Dependent, A=Advised,
 N=Not used

Segments

Index No.	Tag	St	MaxOcc	Level	Description
0290	SG9	C	9999999	1	Position part
0310 12	PIA	D	10	2	Supplier article identification

		Standard	Implementation	
Name	Description	St Format	St Format	Usage / Remark
PIA				
4347	Product identifier code qualifier	M an..3	M an..3	1 Additional identification
C212	Item number identification	M	M	
7140	Item identifier	C an..35	C an..35	Item number
7143	Item type identification code	C an..3	C an..3	
1131	Code list identification code	C an..17	N	Not used
3055	Code list responsible agency code	C an..3	C an..3	91 Assigned by supplier or supplier's agent

Remark:

Alternative identification number of the item. Can be used alternatively if the item has no GTIN.

Example:

PIA+1+PRD99887:SA::91'

The number assigned by the supplier for this item is PRD99887.

Tag = Object-Name
 No. = Segment-Number in Guide
 MaxOcc = Max. Occurrence of Segment/Group
 Index = Index-Number of Segment/Group (in Standard)

St = Status
 EDIFACT: M=Mandatory, C=Conditional
 Usage: R=Required, O=Optional, D=Dependent, A=Advised,
 N=Not used

Segments

Index No.	Tag	St	MaxOcc	Level	Description
0290	SG9	C	9999999	1	Position part
0420	SG11	C	9999	2	Inventory information
0430 13	INV	M	1	2	Inventory management related details

Standard			Implementation	
Name	Description	St Format	St Format	Usage / Remark
INV				
4501	Inventory movement direction code	C an..3	N	Not used
7491	Inventory type code	C an..3	N	Not used
4499	Inventory movement reason code	C an..3	N	Not used
4503	Inventory balance method code	C an..3	C an..3	2 Formal inventory balance

Remark:

Specification of the type of inventory information

Example:

INV++++2'

The following information refers to the actual inventory

Tag = Object-Name
 No. = Segment-Number in Guide
 MaxOcc = Max. Occurrence of Segment/Group
 Index = Index-Number of Segment/Group (in Standard)

St = Status
 EDIFACT: M=Mandatory, C=Conditional
 Usage: R=Required, O=Optional, D=Dependent, A=Advised,
 N=Not used

Segments

Index No.	Tag	St	MaxOcc	Level	Description
0290	SG9	C	9999999	1	Position part
0420	SG11	C	9999	2	Inventory information
0440 14	QTY	M	1	3	Stock quantity

Standard			Implementation	
Name	Description	St Format	St Format	Usage / Remark
QTY				
C186	Quantity details	M	M	
6063	Quantity type code qualifier	M an..3	M an..3	145 Actual stock
6060	Quantity	M an..35	M an..35	Stock quantity
6411	Measurement unit code	C an..3	C an..3	LTR litre KGM kilogram PCE Piece (GS1 Temporary Code)

Remark:

The current physical quantity in the warehouse can be specified here. An indication of the unit of measurement is only necessary for quantity-variable articles.

Example:

QTY+145:220'

There are 220 pieces in stock

Tag = Object-Name
 No. = Segment-Number in Guide
 MaxOcc = Max. Occurrence of Segment/Group
 Index = Index-Number of Segment/Group (in Standard)

St = Status
 EDIFACT: M=Mandatory, C=Conditional
 Usage: R=Required, O=Optional, D=Dependent, A=Advised,
 N=Not used

Segments

Index No.	Tag	St	MaxOcc	Level	Description
0290	SG9	C	9999999	1	Position part
0420	SG11	C	9999	2	Inventory information
0460 15	LOC	C	5	3	Place/location identification

Standard			Implementation	
Name	Description	St Format	St Format	Usage / Remark
LOC				
3227	Location function code qualifier	M an..3	M an..3	14 Location of goods
C517	Location identification	C	C	
3225	Location name code	C an..25	C an..25	Location of the goods
1131	Code list identification code	C an..17	N	Not used
3055	Code list responsible agency code	C an..3	C an..3	9 GS1 91 Assigned by supplier or supplier's agent

Remark:

In this segment you can enter information about the location of the article. This information is only useful if there are several article locations and this information is relevant at all.

It is recommended to use GLN numbers here.

Example:

LOC+14+HANNOVER-3::91'

The item is located at "HANNOVER-3".

Tag = Object-Name
 No. = Segment-Number in Guide
 MaxOcc = Max. Occurrence of Segment/Group
 Index = Index-Number of Segment/Group (in Standard)

St = Status
 EDIFACT: M=Mandatory, C=Conditional
 Usage: R=Required, O=Optional, D=Dependent, A=Advised, N=Not used

Segments

Index No.	Tag	St	MaxOcc	Level	Description
0290	SG9	C	9999999	1	Position part
0420	SG11	C	9999	2	Inventory information
0470 16	DTM	C	5	3	Delivery time

Standard			Implementation	
Name	Description	St Format	St Format	Usage / Remark
DTM				
C507	Date/time/period	M	M	
2005	Date or time or period function code qualifier	M an..3	M an..3	169 Regular delivery time
2380	Date or time or period value	C an..35	C an..35	Delivery time
2379	Date or time or period format code	C an..3	C an..3	804 Day

Remark:

Here you can specify how long the delivery time of the item is if it is available for order.

Example:

DTM+169:7:804'

Delivery time is 7 days

Tag = Object-Name
 No. = Segment-Number in Guide
 MaxOcc = Max. Occurrence of Segment/Group
 Index = Index-Number of Segment/Group (in Standard)

St = Status
 EDIFACT: M=Mandatory, C=Conditional
 Usage: R=Required, O=Optional, D=Dependent, A=Advised,
 N=Not used

Segments

Index No.	Tag	St	MaxOcc	Level	Description
0290	SG9	C	9999999	1	Position part
0420	SG11	C	9999	2	Inventory information
0480 17	STS	C	9	3	Order status

		Standard		Implementation	
Name	Description	St	Format	St	Format / Remark
STS					
C601	Status category	C		C	
9015	Status category code	M	an..3	M	an..3 7 Status code list (GS1 Temporary Code)
1131	Code list identification code	C	an..17	N	Not used
3055	Code list responsible agency code	C	an..3	C	an..3 9 GS1
C555	Status	C		C	
4405	Status description code	M	an..3	M	an..3 Order status 71 Available for ordering 72 Not available for ordering
1131	Code list identification code	C	an..17	N	Not used
3055	Code list responsible agency code	C	an..3	C	an..3 9 GS1

Remark:

Here you can specify whether an item can be ordered or not.

Example:

STS+7:::9+71:::9'

The article is available for order.

Tag = Object-Name
 No. = Segment-Number in Guide
 MaxOcc = Max. Occurrence of Segment/Group
 Index = Index-Number of Segment/Group (in Standard)

St = Status
 EDIFACT: M=Mandatory, C=Conditional
 Usage: R=Required, O=Optional, D=Dependent, A=Advised,
 N=Not used

Segments

Index	No.	Tag	St	MaxOcc	Level	Description
0730	18	UNT	M	1	0	Message trailer

		Standard	Implementation	
Name	Description	St Format	St Format	Usage / Remark
UNT				
0074	Number of segments in the message	M n..6	M n..6	Number of segments in the message
0062	Message reference number	M an..14	M an..14	Unique reference number of the sender or consecutive number of the messages in the data exchange. Identical with DE 0062 in UNH.

Remark:

Example:

UNT+16+111'

The message contains 16 segments

Tag = Object-Name
 No. = Segment-Number in Guide
 MaxOcc = Max. Occurrence of Segment/Group
 Index = Index-Number of Segment/Group (in Standard)

St = Status
 EDIFACT: M=Mandatory, C=Conditional
 Usage: R=Required, O=Optional, D=Dependent, A=Advised,
 N=Not used

Segments

Index	No.	Tag	St	MaxOcc	Level	Description
0000	19	UNZ	M	1	0	Number of messages in the file

		Standard	Implementation	
Name	Description	St Format	St Format	Usage / Remark
UNZ				
0036	Interchange control count	M n..6	M n..6	
0020	Interchange control reference	M an..14	M an..14	unique data exchange reference number (file counter). corresponds to the specification in UNB 0020

Remark:

Example:

UNZ+3+WB89423'

The message contains three documents and bears the reference number WB89423

Tag = Object-Name

No. = Segment-Number in Guide

MaxOcc = Max. Occurrence of Segment/Group

Index = Index-Number of Segment/Group (in Standard)

St = Status

EDIFACT: M=Mandatory, C=Conditional

Usage: R=Required, O=Optional, D=Dependent, A=Advised,

N=Not used

Example

No.	Name	Example
1	UNA	UNA:+. ? '
2	UNB	UNB+UNOC:3+400344550001:14+426526610003:14+190220:1423+WB89423+++++ DCC-FURN-V1.0' The sender of the message is 400344555001, the recipient is 426526610003. The message was created on 02.20.2019 at 14:23h and has the unique reference number WB89423.
3	UNH	UNH+111+INV RPT:D:01B:UN:EAN001' The reference number of the INV RPT message is 111
4	BGM	BGM+35+257238+9' The document number of the document is 265751. This is the original document.
5	DTM	DTM+137:20190220:102' The document was created on 20.02.2019
6	DTM	DTM+366:201902219:102' Inventory report created on 2019-02-19
SG2		
7	NAD	NAD+SU+4003445555001::9' The GLN of the supplier is 4003445555001
SG3		
8	RFF	RFF+YC1:2424-23' The party is additionally identified by 2424-23.
SG4		
9	CTA	CTA+CN+:D. Kunz' The clerk in the purchasing department is D. Kunz
10	COM	COM+d.kunz@example.org:EM' The email address is d.kunz@example.org
SG9		
11	LIN	LIN+1++4220026610106:SRV' Reported sales quantities are for product with GTIN 4220026610106.
12	PIA	PIA+1+PRD99887:SA::91' The number assigned by the supplier for this item is PRD99887.
SG11		
13	INV	INV+++2' The following information refers to the actual inventory
14	QTY	QTY+145:220' There are 220 pieces in stock
15	LOC	LOC+14+HANNOVER-3::91' The item is located at "HANNOVER-3".
16	DTM	DTM+169:7:804' Delivery time is 7 days
17	STS	STS+7::9+71::9' The article is available for order.
18	UNT	UNT+16+111' The message contains 16 segments
19	UNZ	UNZ+3+WB89423' The message contains three documents and bears the reference number WB89423

No. = Segment-Number in Guide