

EDI Guide

Order Response (ORDRSP)

Electronic Data Interchange for Furniture

based on
EANCOM 2012

Version: 1.1
Variant: DCC-FURN
Published: 21.02.2025
Author: Integrated Worlds

Contact

Daten Competence Center e. V.
Dr.-Ing. Olaf Plümer
Geschäftsführer
Goebenstraße 4-10
32052 Herford
Tel.: +49 52 21 / 12 65 37
Fax.: +49 52 21 / 12 65 5 37

E-Mail: pluemer@dcc-moebel.org
Info: www.dcc-moebel.org



**Daten
Competence
Center e. V.**

Table of Contents

1 Structure.....	3
2 Diagram	6
3 Segments.....	22
4 Examples	107
5 EUDR Datapoints.....	114

Document Structure

Index	No.	Tag	St	MaxWdh	Level	Description
0000	1	UNA	C	1	0	Service string advice
0000	2	UNB	M	1	0	Interchange header
Message header						
0010	3	UNH	M	1	0	Message header
0020	4	BGM	M	1	0	Beginning of message
0030	5	DTM	M	1	1	Document date
0030	6	DTM	A	1	1	Delivery date (requested)
0030	7	DTM	A	35	1	Delivery date (planned)
0030	8	DTM	A	35	1	Delivery date (promised)
0030	9	DTM	M	35	1	Last order change date
0030	10	DTM	M	35	1	Other dates
0050	11	ALI	O	5	1	Partial delivery and special order type
0070	12	FTX	O	99	1	General free text information
0070	13	FTX	O	99	1	File attachments
0090		SG1	O	1	1	Reference / order number
0100	14	RFF	M	1	1	Order number
0110	15	DTM	O	1	2	Order date
0090		SG1	O	2	1	Reference / Commission
0100	16	RFF	M	1	1	Commission number
0090		SG1	O	1	1	Reference / Barcode number
0100	17	RFF	M	1	1	Barcode number
0090		SG1	O	999	1	additional reference information
0100	18	RFF	M	1	1	Reference
0110	19	DTM	C	5	2	Date/time/period
0150		SG3	O	99	1	Names and addresses of the parties involved
0160	20	NAD	M	1	1	Name and address
0190		SG4	O	1	2	VAT-ID
0200	21	RFF	M	1	2	VAT-ID
0190		SG4	O	1	2	Tax number
0200	22	RFF	M	1	2	Tax number
0190		SG4	O	1	2	Identification number at the central regulator
0200	23	RFF	M	1	2	Identification number at the central regulator
0190		SG4	O	1	2	Contract number
0200	24	RFF	M	1	2	Contract number
0190		SG4	O	1	2	Customer number
0200	25	RFF	M	1	2	Customer number
0250		SG6	O	5	2	Contact person and communication data
0260	26	CTA	M	1	2	Contact person or department
0270	27	COM	O	5	3	Communication contact
0320		SG8	C	5	1	Currency
0330	28	CUX	M	1	1	Currencies

Tag = Segment-/Group-Name
 Index = Segment Index Number (in Standard)
 No. = Unique Segment-Number in Guide
 MaxOcc = Max. Occurrence in Segment/Group

St = Status
 EDIFACT: M=Mandatory, C=Conditional
 Usage: R=Required, O=Optional, D=Dependent, A=Advised,
 N=Not used

Document Structure

Index	No.	Tag	St	MaxWdh	Level	Description
0490		SG13	O	99	1	Packaging information
0500	29	PAC	M	1	1	Package
0510	30	MEA	C	5	2	Measurements
0730		SG19	O	99	1	Allowances (discounts) and Surcharges
0740	31	ALC	M	1	1	Allowance or charge
0800		SG21	C	1	2	Percentage value
0810	32	PCD	M	1	2	Percentage value
0830		SG22	R	1	2	Amount of money
0840	33	MOA	M	1	2	Monetary amount

1. Base unit (base article, assortment, container, set ...)

0970		SG26	C	200000	1	Item position
0980	34	LIN	M	1	1	Item position
0990	35	PIA	O	4	2	Item number
0990	36	PIA	O	4	2	Customs tariff / Batch number
0990	37	PIA	O	1	2	Program / Series
0990	38	PIA	O	10	2	eClass Classification
1000	39	IMD	O	1	2	Article description
1000	40	IMD	D	5	2	Type of item (flag)
1000	41	IMD	D	5	2	EUDR Regulatory relevance
1000	42	IMD	O	99	2	Quality feature / certificate
1010	43	MEA	O	99	2	Measurements
1020	44	QTY	R	99	2	Confirmed delivery quantity
1020	45	QTY	O	3	2	Other quantity data
1050	46	DTM	O	1	2	Delivery date (required)
1050	47	DTM	O	1	2	Delivery date (planned)
1060	48	MOA	D	1	2	Position total amount
1060	49	MOA	D	1	2	Item amount of surcharges and discounts
1060	50	MOA	D	10	2	Other position amounts
1140	51	FTX	O	99	2	Free text
1140	52	FTX	O	99	2	Regulatory information
1140	53	FTX	O	99	2	Regulatory Documentation
1140	54	FTX	O	99	2	Digital product passport / digital twin
1270		SG30	D	1	2	Price indication / net price
1280	55	PRI	M	1	2	Net price
1270		SG30	D	1	2	Price indication / gross price
1280	56	PRI	M	1	2	Gross price
1270		SG30	O	1	2	Recommended Retail Sales Price
1280	57	PRI	M	1	2	Sales price
1330		SG31	O	9999	2	Reference / Order
1340	58	RFF	M	1	2	Order number
1350	59	DTM	O	1	3	Date of order
1330		SG31	O	9999	2	Other references

Tag = Segment-/Group-Name
 Index = Segment Index Number (in Standard)
 No. = Unique Segment-Number in Guide
 MaxOcc = Max. Occurrence in Segment/Group

St = Status
 EDIFACT: M=Mandatory, C=Conditional
 Usage: R=Required, O=Optional, D=Dependent, A=Advised,
 N=Not used

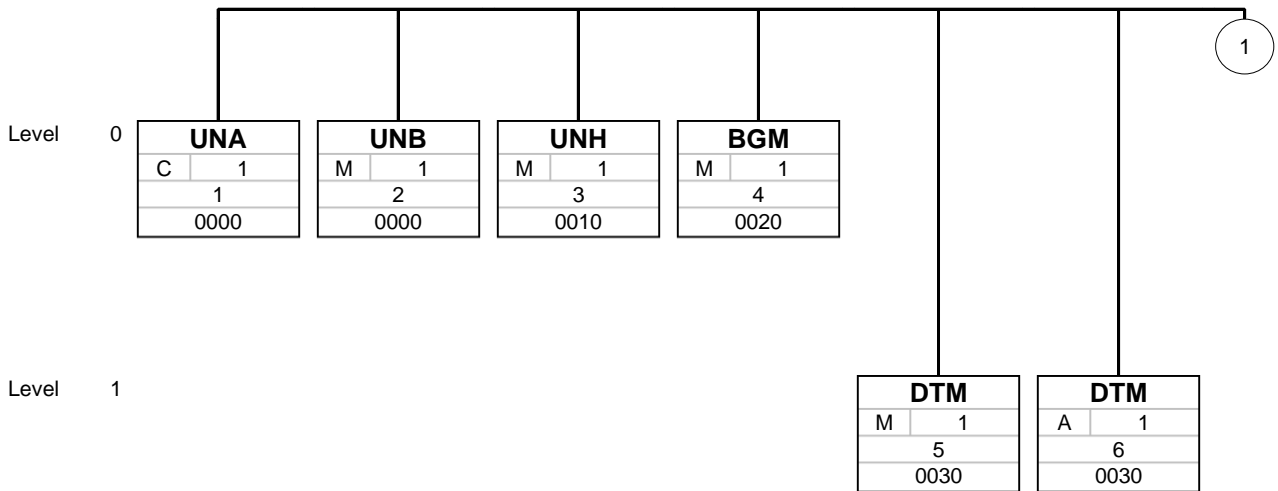
Document Structure

Index	No.	Tag	St	MaxWdh	Level	Description
1340	60	RFF	M	1	2	Reference
1350	61	DTM	C	5	3	Date/time/period
1360		SG32	O	99	2	Number and type of packaging
1370	62	PAC	M	1	2	Package
1380	63	MEA	C	5	3	Measurements
1440		SG34	=	99	3	Package identification
1450	64	PCI	M	1	3	Package identification
1480	65	GIN	R	99	4	Shipment number(s)
1710		SG41	O	99	2	Surcharges and discounts of the position
1720	66	ALC	M	1	2	Allowance or charge
1780		SG43	C	1	3	Percentage
1790	67	PCD	M	1	3	Percentage value
1810		SG44	R	1	3	Monetary amount
1820	68	MOA	M	1	3	Monetary amount
2. Option of a base article (feature)						
0970		SG26	O	200000	1	Option (Feature)
0980	69	LIN	M	1	1	Option / Feature
0990	70	PIA	O	25	2	Additional product id
1000	71	IMD	R	1	2	Option (flag)
1000	72	IMD	A	1	2	Option name
3. Option value of an option						
0970		SG26	O	200000	1	Option value
0980	73	LIN	M	1	1	Option value
0990	74	PIA	C	25	2	Additional product id
1000	75	IMD	R	99	2	Option value (flag)
1000	76	IMD	A	99	2	Name of the option value
4. Subposition of a set, display or container						
0970		SG26	O	200000	1	Subposition of an assortment
0980	77	LIN	M	1	1	Line item
1000	78	IMD	O	99	2	Consumer unit (flag)
2200	79	UNS	M	1	0	Section control
Message footer summary part						
2210	80	MOA	C	12	1	Total amount
2270	81	UNT	M	1	0	Message trailer
0000	82	UNZ	M	1	0	Interchange trailer

Tag = Segment-/Group-Name
 Index = Segment Index Number (in Standard)
 No. = Unique Segment-Number in Guide
 MaxOcc = Max. Occurrence in Segment/Group

St = Status
 EDIFACT: M=Mandatory, C=Conditional
 Usage: R=Required, O=Optional, D=Dependent, A=Advised,
 N=Not used

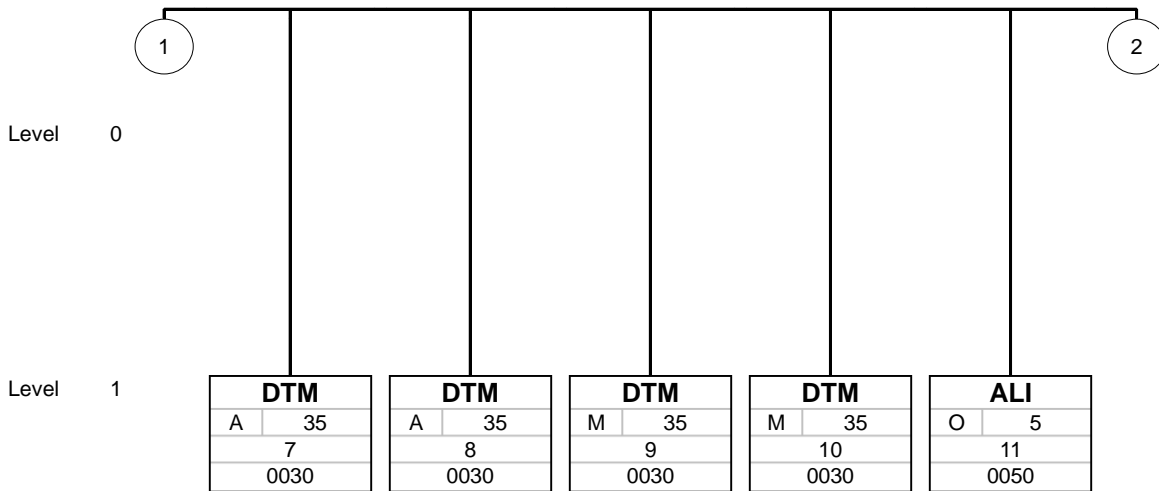
Message structure diagram (used Segments/Groups)



Name
St MaxOcc
No.
Index

Name = Segment-/Group-Name
 St = Status (M=Mandatory, C=Conditional, R=Required, O=Optional, D=Dependent, A=Advised)
 MaxOcc = Max. Occurrence of Segment/Gruppe
 No. = Segment-Number in Guide
 Index = Segmente-Number (in Standard)

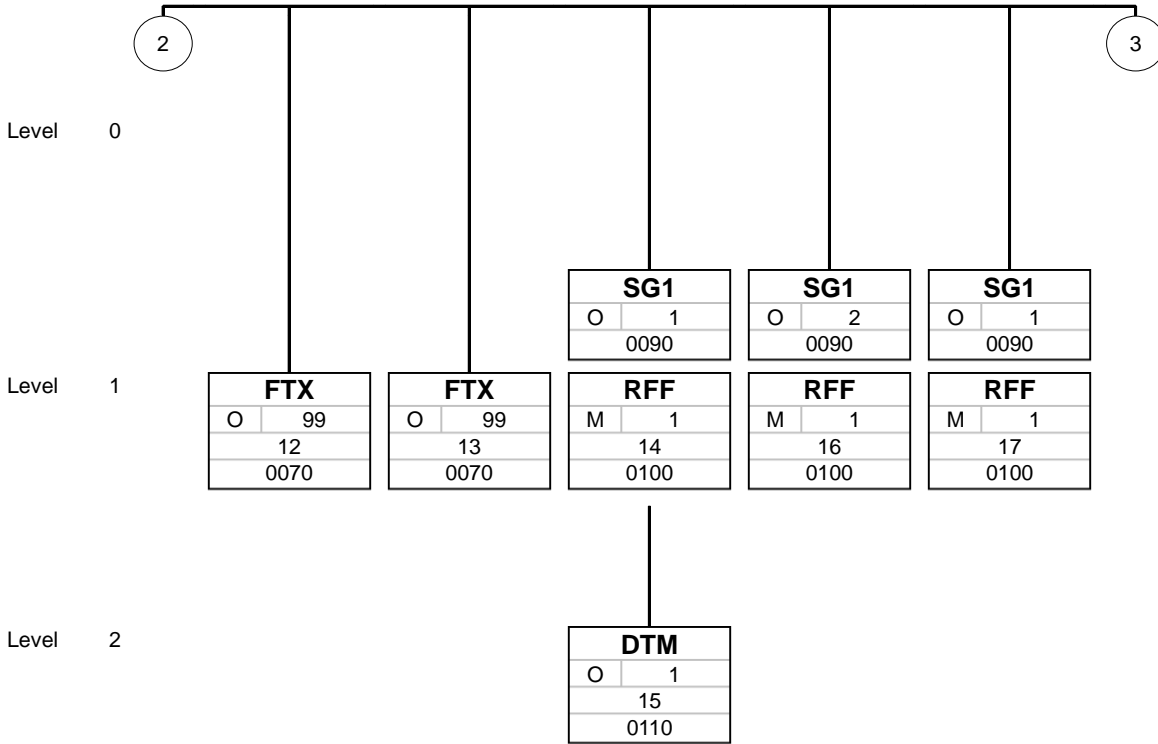
Message structure diagram (used Segments/Groups)



Name
St MaxOcc
No.
Index

Name = Segment-/Group-Name
 St = Status (M=Mandatory, C=Conditional, R=Required, O=Optional, D=Dependent, A=Advised)
 MaxOcc = Max. Occurrence of Segment/Gruppe
 No. = Segment-Number in Guide
 Index = Segmente-Number (in Standard)

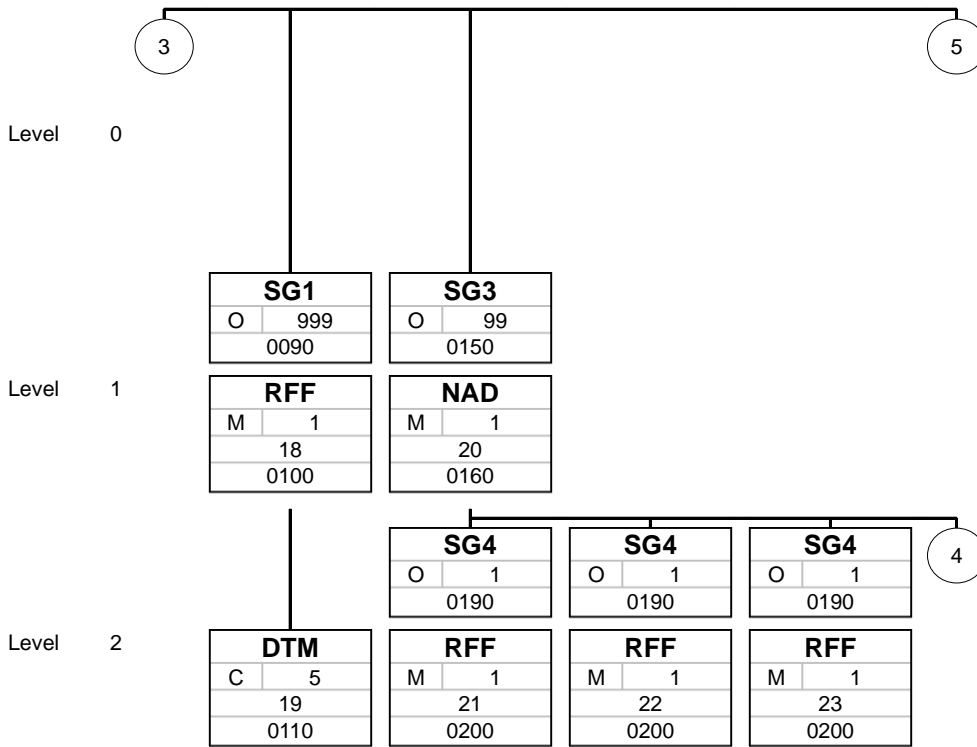
Message structure diagram (used Segments/Groups)



Name
St MaxOcc
No.
Index

Name = Segment-/Group-Name
 St = Status (M=Mandatory, C=Conditional, R=Required, O=Optional, D=Dependent, A=Advised)
 MaxOcc = Max. Occurrence of Segment/Gruppe
 No. = Segment-Number in Guide
 Index = Segmente-Number (in Standard)

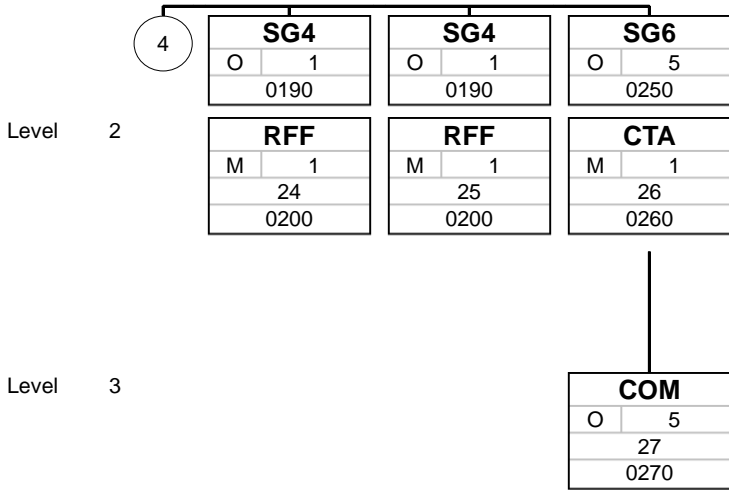
Message structure diagram (used Segments/Groups)



Name
St MaxOcc
No.
Index

Name = Segment-/Group-Name
 St = Status (M=Mandatory, C=Conditional, R=Required, O=Optional, D=Dependent, A=Advised)
 MaxOcc = Max. Occurrence of Segment/Gruppe
 No. = Segment-Number in Guide
 Index = Segmente-Number (in Standard)

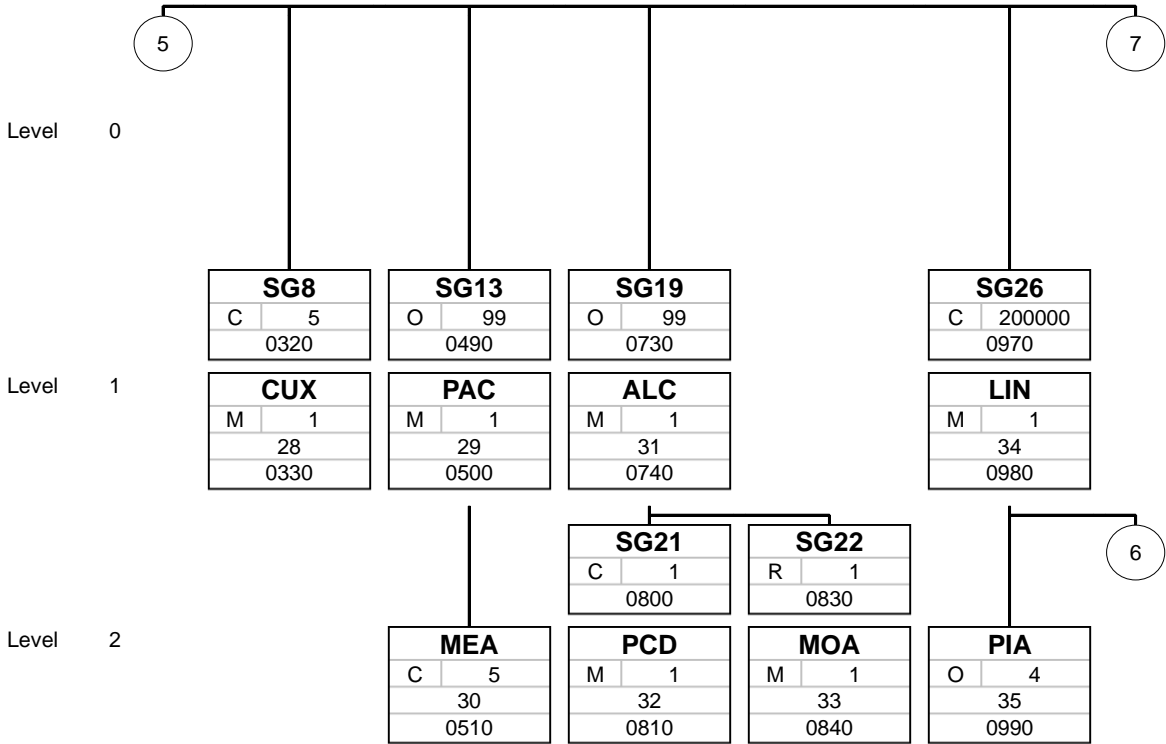
Message structure diagram (used Segments/Groups)



Name
St MaxOcc
No.
Index

Name = Segment-/Group-Name
 St = Status (M=Mandatory, C=Conditional, R=Required, O=Optional, D=Dependent, A=Advised)
 MaxOcc = Max. Occurrence of Segment/Gruppe
 No. = Segment-Number in Guide
 Index = Segmente-Number (in Standard)

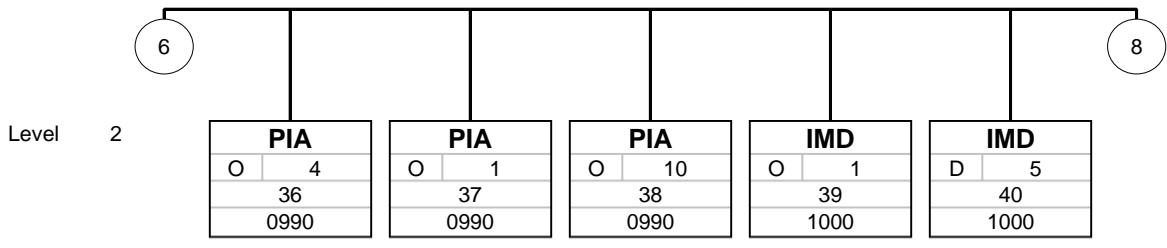
Message structure diagram (used Segments/Groups)



Name
St MaxOcc
No.
Index

Name = Segment-/Group-Name
 St = Status (M=Mandatory, C=Conditional, R=Required, O=Optional, D=Dependent, A=Advised)
 MaxOcc = Max. Occurrence of Segment/Gruppe
 No. = Segment-Number in Guide
 Index = Segmente-Number (in Standard)

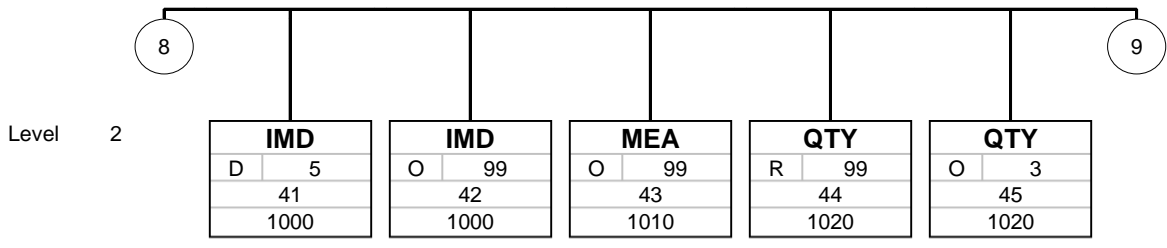
Message structure diagram (used Segments/Groups)



Name
St MaxOcc
No.
Index

Name = Segment-/Group-Name
 St = Status (M=Mandatory, C=Conditional, R=Required, O=Optional, D=Dependent, A=Advised)
 MaxOcc = Max. Occurrence of Segment/Gruppe
 No. = Segment-Number in Guide
 Index = Segmente-Number (in Standard)

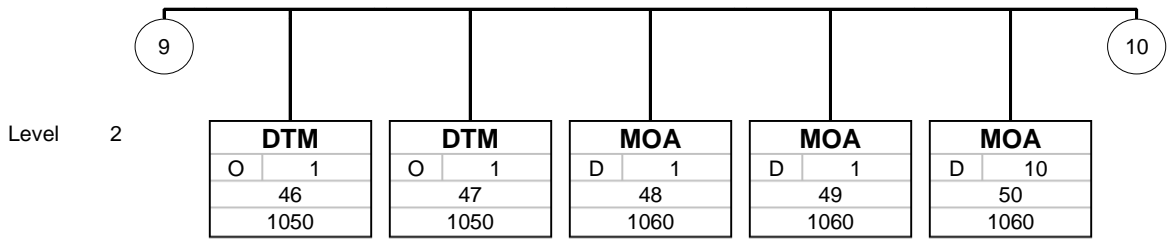
Message structure diagram (used Segments/Groups)



Name
St MaxOcc
No.
Index

Name = Segment-/Group-Name
 St = Status (M=Mandatory, C=Conditional, R=Required, O=Optional, D=Dependent, A=Advised)
 MaxOcc = Max. Occurence of Segment/Gruppe
 No. = Segment-Number in Guide
 Index = Segmente-Number (in Standard)

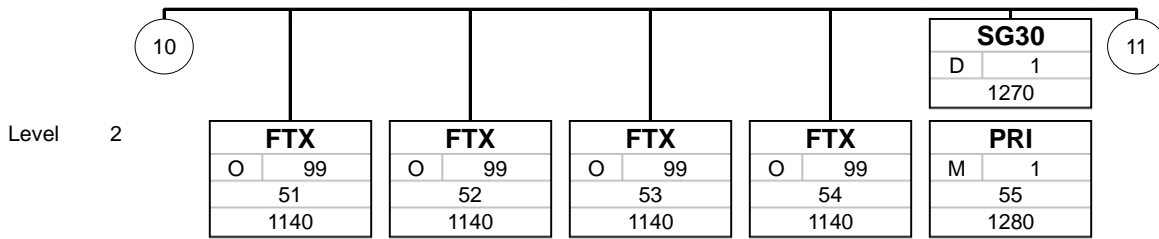
Message structure diagram (used Segments/Groups)



Name
St MaxOcc
No.
Index

Name = Segment-/Group-Name
 St = Status (M=Mandatory, C=Conditional, R=Required, O=Optional, D=Dependent, A=Advised)
 MaxOcc = Max. Occurrence of Segment/Gruppe
 No. = Segment-Number in Guide
 Index = Segmente-Number (in Standard)

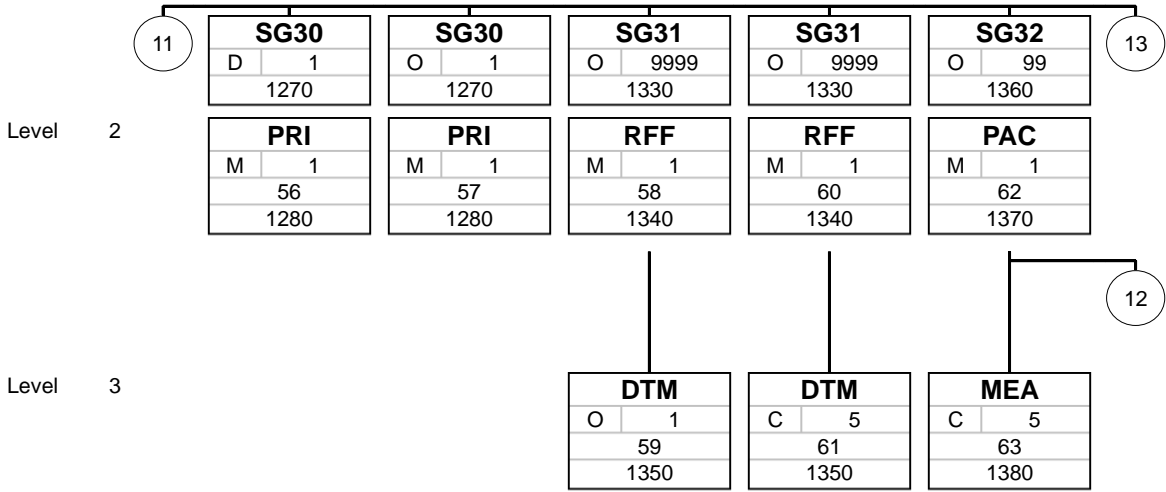
Message structure diagram (used Segments/Groups)



Name
St MaxOcc
No.
Index

Name = Segment-/Group-Name
 St = Status (M=Mandatory, C=Conditional, R=Required, O=Optional, D=Dependent, A=Advised)
 MaxOcc = Max. Occurrence of Segment/Gruppe
 No. = Segment-Number in Guide
 Index = Segmente-Number (in Standard)

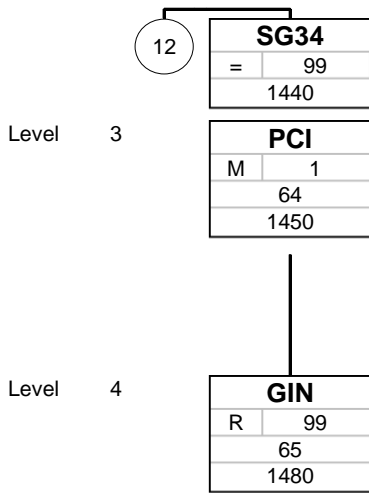
Message structure diagram (used Segments/Groups)



Name
St MaxOcc
No.
Index

Name = Segment-/Group-Name
 St = Status (M=Mandatory, C=Conditional, R=Required, O=Optional, D=Dependent, A=Advised)
 MaxOcc = Max. Occurrence of Segment/Gruppe
 No. = Segment-Number in Guide
 Index = Segmente-Number (in Standard)

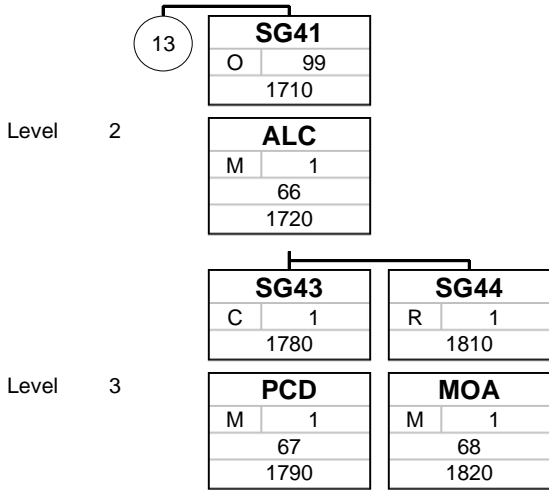
Message structure diagram (used Segments/Groups)



Name
St MaxOcc
No.
Index

Name = Segment-/Group-Name
 St = Status (M=Mandatory, C=Conditional, R=Required, O=Optional, D=Dependent, A=Advised)
 MaxOcc = Max. Occurrence of Segment/Gruppe
 No. = Segment-Number in Guide
 Index = Segmente-Number (in Standard)

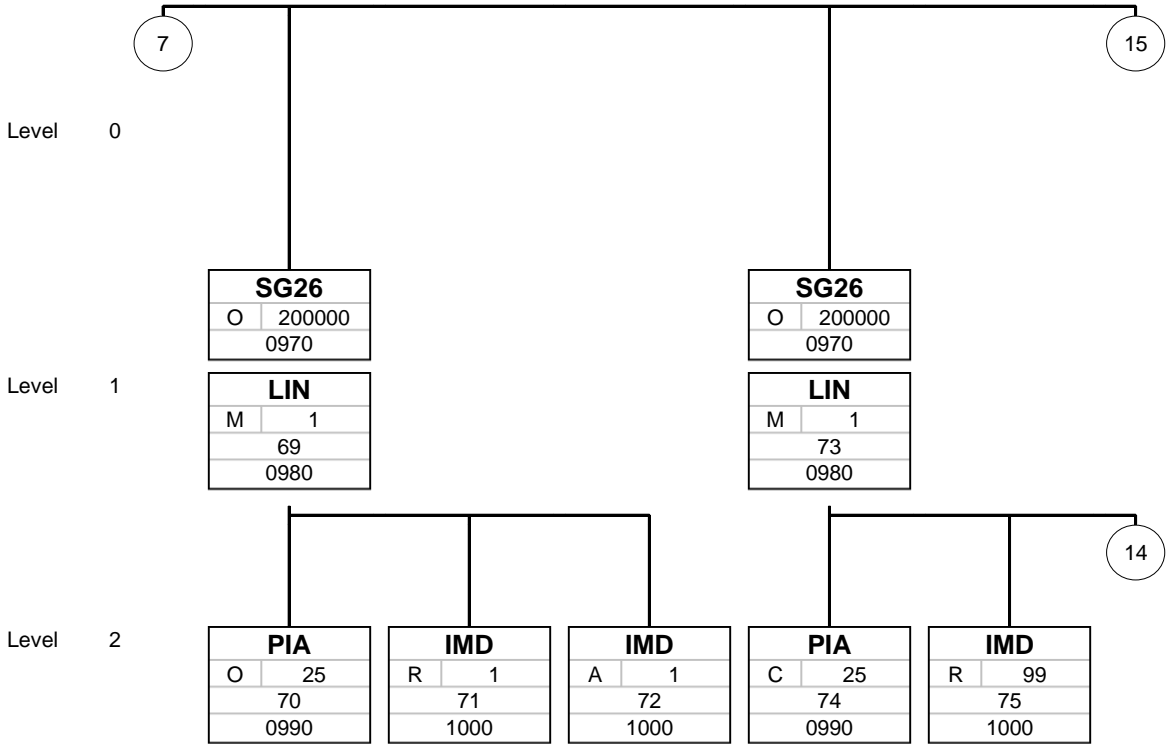
Message structure diagram (used Segments/Groups)



Name
St MaxOcc
No.
Index

Name = Segment-/Group-Name
 St = Status (M=Mandatory, C=Conditional, R=Required, O=Optional, D=Dependent, A=Advised)
 MaxOcc = Max. Occurrence of Segment/Gruppe
 No. = Segment-Number in Guide
 Index = Segmente-Number (in Standard)

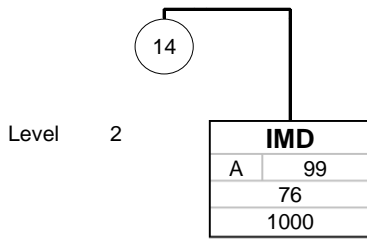
Message structure diagram (used Segments/Groups)



Name
St MaxOcc
No.
Index

Name = Segment-/Group-Name
 St = Status (M=Mandatory, C=Conditional, R=Required, O=Optional, D=Dependent, A=Advised)
 MaxOcc = Max. Occurrence of Segment/Gruppe
 No. = Segment-Number in Guide
 Index = Segmente-Number (in Standard)

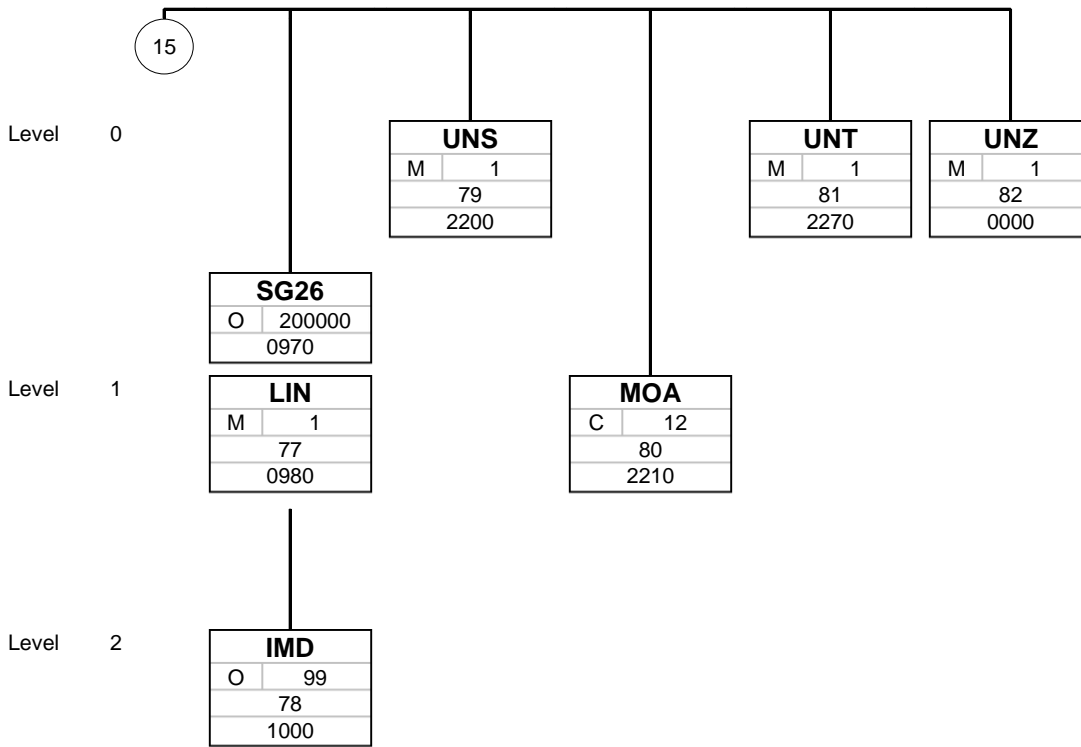
Message structure diagram (used Segments/Groups)



Name
St MaxOcc
No.
Index

Name = Segment-/Group-Name
 St = Status (M=Mandatory, C=Conditional, R=Required, O=Optional, D=Dependent, A=Advised)
 MaxOcc = Max. Occurrence of Segment/Gruppe
 No. = Segment-Number in Guide
 Index = Segmente-Number (in Standard)

Message structure diagram (used Segments/Groups)



Name
St MaxOcc
No.
Index

Name = Segment-/Group-Name
 St = Status (M=Mandatory, C=Conditional, R=Required, O=Optional, D=Dependent, A=Advised)
 MaxOcc = Max. Occurrence of Segment/Gruppe
 No. = Segment-Number in Guide
 Index = Segmente-Number (in Standard)

Segments

Index	No.	Tag	St	MaxOcc	Level	Description
0000	1	UNA	C	1	0	Service string advice

Standard			Implementation	
Name	Name	St Format	St Format	Usage / Remark
UNA				
UNA1	Component data element separator	M an1	M an1	: Composite separator
UNA2	Data element separator	M an1	M an1	+ Segment separator
UNA3	Decimal notation	M an1	M an1	. Decimal point
UNA4	Release indicator	M an1	M an1	? Masking character
UNA5	Reserved for future use	M an1	M an1	Space character
UNA6	Segment terminator	M an1	M an1	' Segment terminator character

Remark:

This segment defines the characters reserved for this format.
Only the Edifact standard characters specified here apply to this format.

Example:

UNA:+.?'

Tag = Object-Name
 No. = Segment-Number in Guide
 MaxOcc = Max. Occurrence of Segment/Group
 Index = Index-Number of Segment/Group (in Standard)

St = Status
 EDIFACT: M=Mandatory, C=Conditional
 Usage: R=Required, O=Optional, D=Dependent, A=Advised,
 N=Not used

Segments

Index No.	Tag	St	MaxOcc	Level	Description
-----------	-----	----	--------	-------	-------------

0000	2	UNB	M	1	0	Interchange header
------	---	-----	---	---	---	--------------------

			Standard	Implementation		
Name	Name	St	Format	St	Format	Usage / Remark
UNB						
S001	Syntax identifier	M		M		
0001	Syntax identifier	M	a4	M	a4	UNOC UN/ECE level C
0002	Syntax version number	M	n1	M	n1	3 Version 3
S002	Interchange sender	M		M		
0004	Sender identification	M	an..35	R	an..35	Sender identifier (GLN)
0007	Partner identification code qualifier	C	an..4	R	an..4	14 GS1 ZZZ bilaterally agreed
S003	Interchange recipient	M		M		
0010	Recipient identification	M	an..35	M	an..35	Receiver identifier (GLN)
0007	Partner identification code qualifier	C	an..4	R	an..4	14 GS1 ZZZ bilaterally agreed
0014	Routing address	C	an..14	C	an..14	Forwarding address (GLN) Only if bilaterally agreed. The recipient is responsible for the forwarding.
S004	Date/time of preparation	M		M		
0017	Date of preparation	M	n6	M	n6	Creation date of the EDIFACT file (YYMMDD)
0019	Time of preparation	M	n4	M	n4	Creation time of the EDIFACT file (HHMM)
0020	Interchange control reference	M	an..14	M	an..14	Unique data exchange reference number (file counter). Corresponds to the specification in UNZ 0020.
S005	Recipient's reference, password	C		N		
0022	Recipient's reference/password	M	an..14	N		Not used
0026	Application reference	C	an..14	O	an..14	name and version number of the sending system
0029	Processing priority code	C	a1	N		Not used
0031	Acknowledgement request	C	n1	N		Not used
0032	Communications agreement ID	C	an..35	R	an..35	= "DCC-FURN-V1.1"

Remark:

This segment is used to uniquely identify the sender and recipient of the message.
The actual technical participant is specified here. This may differ from the information in the NAD segments.
Technical sender and recipient must be identifiable by a unique identification number (GLN).

In exceptional cases, other identification numbers that are not GLNs can also be used here. In these cases, the qualifier ZZZ must be used after bilateral agreement between sender and receiver.

Example:

UNB+UNOC:3+4041116000009:14+4399901793453:14:4139916000005+180428:1018+3245781++++DCC-FURN-V1.1'

The sender of the message is 4041116000009, the recipient is 4399901793453.

The message was created on 28.04.2018 at 10:18h and has the unique message reference number 3245781.

Tag = Object-Name

No. = Segment-Number in Guide

MaxOcc = Max. Occurrence of Segment/Group

Index = Index-Number of Segment/Group (in Standard)

St = Status

EDIFACT: M=Mandatory, C=Conditional

Usage: R=Required, O=Optional, D=Dependent, A=Advised,

N=Not used

Segments

Index No.	Tag	St	MaxOcc	Level	Description
-----------	-----	----	--------	-------	-------------

Message header

0010	3	UNH	M	1	0	Message header
------	---	------------	---	---	---	----------------

Standard			Implementation	
Name	Name	St Format	St Format	Usage / Remark
UNH				
0062	Message reference number	M an..14	M an..14	Unique message reference of the sender. Identical to DE 0062 in UNT.
S009	Message identifier	M	M	
0065	Message type	M an..6	M an..6	ORDRSP Purchase order response message
0052	Message version number	M an..3	M an..3	D Draft version/UN/EDIFACT Directory
0054	Message release number	M an..3	M an..3	01B Release 2001 - B
0051	Controlling agency	M an..2	M an..2	UN UN/CEFACT
0057	Association assigned code	C an..6	R an..6	EAN010 GS1 version control number (GS1 Permanent Code)

Remark:

This segment is used to indicate a new document.

Example:

UNH+1+ORDRSP:D:01B:UN:EAN010'

This message is an Edifact ORDRSP.

Tag = Object-Name
 No. = Segment-Number in Guide
 MaxOcc = Max. Occurrence of Segment/Group
 Index = Index-Number of Segment/Group (in Standard)

St = Status
 EDIFACT: M=Mandatory, C=Conditional
 Usage: R=Required, O=Optional, D=Dependent, A=Advised, N=Not used

Segments

Index No.	Tag	St	MaxOcc	Level	Description
-----------	-----	----	--------	-------	-------------

Message header

0020	4	BGM	M	1	0	Beginning of message
------	---	------------	---	---	---	----------------------

Standard			Implementation	
Name	Name	St Format	St Format	Usage / Remark
BGM				
C002	Document/message name	C	C	
1001	Document name code	C an..3	R an..3	Type of document (coded) 231 Purchase order response
C106	Document/message identification	C	C	
1004	Document identifier	C an..35	R an..35	Document number
1225	Message function code	C an..3	C an..3	Document control indicator 2 Addition ORDRSP AVIS. Supplementary information on packaging and / or delivery date. No changes in quantity allowed. 9 Original ORDRSP Confirm 22 Final ORDRSP FINAL: Last order confirmation. From now on the order can no longer be changed 29 Accepted without amendment ORDRSP Confirm. No changes to the ORDERS 45 Accepted with reserves ORDRSP Confirm: Order confirmed with changes (quantity, delivery date).

Remark:

2 = ORDRSP AVIS - Supplementary order confirmation. Supplementary information on packaging and / or delivery date. No changes in quantity allowed

9 = Original, ORDRSP: Confirm

Example:

BGM+231+AB12345+2'

This document is a purchase order response with document number AB12345.

Tag = Object-Name
No. = Segment-Number in Guide
MaxOcc = Max. Occurrence of Segment/Group
Index = Index-Number of Segment/Group (in Standard)

St = Status
EDIFACT: M=Mandatory, C=Conditional
Usage: R=Required, O=Optional, D=Dependent, A=Advised, N=Not used

Segments

Index No.	Tag	St	MaxOcc	Level	Description
-----------	-----	----	--------	-------	-------------

Message header

0030	5	DTM	M	1	1	Document date
------	---	------------	---	---	---	---------------

			Standard	Implementation	
Name	Name	St Format	St Format	St Format	Usage / Remark
DTM					
C507	Date/time/period	M	M		
2005	Date or time or period function code qualifier	M an..3	M an..3		Specifies the function of the date. 137 Document/message date/time
2380	Date or time or period value	C an..35	R an..35		Document date
2379	Date or time or period format code	C an..3	R an..3		102 CCYYMMDD

Remark:

The creation date of the document.
Must be specified with code value 137 in the message

Example:

DTM+137:20180428:102'

The document was created on 28.04.2018.

Tag = Object-Name
No. = Segment-Number in Guide
MaxOcc = Max. Occurrence of Segment/Group
Index = Index-Number of Segment/Group (in Standard)

St = Status
EDIFACT: M=Mandatory, C=Conditional
Usage: R=Required, O=Optional, D=Dependent, A=Advised, N=Not used

Segments

Index No.	Tag	St	MaxOcc	Level	Description
-----------	-----	----	--------	-------	-------------

Message header

0030	6	DTM	A	1	1	Delivery date (requested)
------	---	------------	---	---	---	---------------------------

Standard			Implementation	
Name	Name	St Format	St Format	Usage / Remark
DTM				
C507	Date/time/period	M	M	
2005	Date or time or period function code qualifier	M an..3	M an..3	2 Delivery date/time, requested
2380	Date or time or period value	C an..35	C an..35	Requested delivery date
2379	Date or time or period format code	C an..3	C an..3	102 CCYYMMDD 203 CCYYMMDDHHMM if a calendar week is specified: 616 CCYYWW

Remark:

Requested delivery date: When the customer expects the goods.
The requested delivery date.
Valid for all positions, unless a different date is specified on position.

Example:

DTM+2:20180502:102'
The requested delivery date is 02.05.2018

Tag = Object-Name
No. = Segment-Number in Guide
MaxOcc = Max. Occurrence of Segment/Group
Index = Index-Number of Segment/Group (in Standard)

St = Status
EDIFACT: M=Mandatory, C=Conditional
Usage: R=Required, O=Optional, D=Dependent, A=Advised, N=Not used

Segments

Index No.	Tag	St	MaxOcc	Level	Description
-----------	-----	----	--------	-------	-------------

Message Header

0030	7	DTM	A	35	1	Delivery date (planned)
------	---	------------	---	----	---	-------------------------

Standard			Implementation	
Name	Name	St Format	St Format	Usage / Remark
DTM				
C507	Date/time/period	M	M	
2005	Date or time or period function code qualifier	M an..3	M an..3	76 Delivery date/time, scheduled for
2380	Date or time or period value	C an..35	R an..35	Confirmed delivery date
2379	Date or time or period format code	C an..3	R an..3	102 CCYYMMDD 203 CCYYMMDDHHMM if calendar week is specified: 616 CCYYWW

Remark:

Confirmed date: When the sender of the goods indicates to which date the goods will be confirmed. If applicable, deviating from requested delivery date

Example:

DTM+76:20180502:102'

The planned delivery date is 02.05.2018

Tag = Object-Name
 No. = Segment-Number in Guide
 MaxOcc = Max. Occurrence of Segment/Group
 Index = Index-Number of Segment/Group (in Standard)

St = Status
 EDIFACT: M=Mandatory, C=Conditional
 Usage: R=Required, O=Optional, D=Dependent, A=Advised, N=Not used

Segments

Index No.	Tag	St	MaxOcc	Level	Description
-----------	-----	----	--------	-------	-------------

Message Header

0030	8	DTM	A	35	1	Delivery date (promised)
------	---	------------	---	----	---	--------------------------

Standard			Implementation	
Name	Name	St Format	St Format	Usage / Remark
DTM				
C507	Date/time/period	M	M	
2005	Date or time or period function code qualifier	M an..3	M an..3	69 Delivery date/time, promised for
2380	Date or time or period value	C an..35	R an..35	Promised delivery date
2379	Date or time or period format code	C an..3	R an..3	102 CCYYMMDD 203 CCYYMMDDHHMM if calendar week is specified: 616 CCYYWW

Remark:

Promised date: Date the goods will be delivered. If applicable, deviating from requested delivery date

Example:

DTM+69:20180502:102'

The promised delivery date is 02.05.2018

Tag = Object-Name
 No. = Segment-Number in Guide
 MaxOcc = Max. Occurrence of Segment/Group
 Index = Index-Number of Segment/Group (in Standard)

St = Status
 EDIFACT: M=Mandatory, C=Conditional
 Usage: R=Required, O=Optional, D=Dependent, A=Advised, N=Not used

Segments

Index No.	Tag	St	MaxOcc	Level	Description
-----------	-----	----	--------	-------	-------------

Message header

0030	9	DTM	M	35	1	Last order change date
------	---	-----	---	----	---	------------------------

			Standard	Implementation	
Name	Name	St Format	St Format	St Format	Usage / Remark
DTM					
C507	Date/time/period	M	M		
2005	Date or time or period function code qualifier	M an..3	M an..3		743 Purchase order latest possible change date
2380	Date or time or period value	C an..35	R an..35		Last order change date
2379	Date or time or period format code	C an..3	R an..3		102 CCYYMMDD 203 CCYYMMDDHHMM

Remark:

Last order change date - changes possible until this date.

Example:

DTM+743:201805011300:203'

Order changes can be considered until 01.05.2018 13:00h.

Tag = Object-Name
 No. = Segment-Number in Guide
 MaxOcc = Max. Occurrence of Segment/Group
 Index = Index-Number of Segment/Group (in Standard)

St = Status
 EDIFACT: M=Mandatory, C=Conditional
 Usage: R=Required, O=Optional, D=Dependent, A=Advised,
 N=Not used

Segments

Index No.	Tag	St	MaxOcc	Level	Description
-----------	-----	----	--------	-------	-------------

Message Header

0030	10	DTM	M	35	1	Other dates
------	----	------------	---	----	---	-------------

Standard			Implementation	
Name	Name	St Format	St Format	Usage / Remark
DTM				
C507	Date/time/period	M	M	
2005	Date or time or period function code qualifier	M an..3	M an..3	79 Shipment date/time, promised for 63 Delivery date/time, latest 64 Delivery date/time, earliest 18 Installation date/time/period
2380	Date or time or period value	C an..35	R an..35	Additional date
2379	Date or time or period format code	C an..3	R an..3	102 CCYYMMDD 203 CCYYMMDDHHMM 616 CCYYWW

Remark:

Optional further data
Further qualifiers can be agreed bilaterally with the partner

Example:

DTM+79:20190502:102'
The confirmed shipping date is 02.05.2019

Tag = Object-Name
No. = Segment-Number in Guide
MaxOcc = Max. Occurrence of Segment/Group
Index = Index-Number of Segment/Group (in Standard)

St = Status
EDIFACT: M=Mandatory, C=Conditional
Usage: R=Required, O=Optional, D=Dependent, A=Advised, N=Not used

Segments

Index No.	Tag	St	MaxOcc	Level	Description
-----------	-----	----	--------	-------	-------------

Message Header

0050 11 **ALI** O 5 1 Partial delivery and special order type

Standard			Implementation	
Name	Name	St Format	St Format	Usage / Remark
ALI				
3239	Country of origin name code	C an..3	N	Not used
9213	Duty regime type code	C an..3	N	Not used
4183	Special condition code	C an..3	O an..3	Partial delivery indicator Information about partial delivery and order type X1 No back orders when partial delivery (GS1 Temporary Code) X2 Back orders accepted when partial delivery (GS1 Temporary Code) 144 Deliver full order
4183	Special condition code	C an..3	O an..3	Order type 000 Standard stock order 050 Standard Commission order 100 Promotional 200 Initial Equipment (TODO: Object/Project order, Pickup order missing) 210 Object/Project order 220 Exhibition; Sample; Placement 230 Pick up order 250 New opening 300 Spare parts delivery (without charge) 350 Spare parts delivery (charged) 400 Complaints order

Remark:

Information about partial delivery and order type

Example:

ALI+++X1+000'

No subsequent delivery will be accepted for partial delivery.

It is a "standard warehouse order"

ALI+++X2+220

This is a sample order (exhibition/placement).

Partial deliveries are accepted.

ALI+++144

Order is to be delivered completely (no partial delivery desired)

Tag = Object-Name

No. = Segment-Number in Guide

MaxOcc = Max. Occurrence of Segment/Group

Index = Index-Number of Segment/Group (in Standard)

St = Status

EDIFACT: M=Mandatory, C=Conditional

Usage: R=Required, O=Optional, D=Dependent, A=Advised,

N=Not used

Segments

Index No.	Tag	St	MaxOcc	Level	Description
-----------	-----	----	--------	-------	-------------

Message header

0070	12	FTX	O	99	1	General free text information
------	----	------------	---	----	---	-------------------------------

Standard			Implementation	
Name	Name	St Format	St Format	Usage / Remark
FTX				
4451	Text subject code qualifier	M an..3	R an..3	AAI General information
4453	Free text function code	C an..3	R an..3	1 Text for subsequent use
C107	Text reference	C	N	
4441	Free text value code	M an..17	N	Not used
C108	Text literal	C	O	
4440	Free text value	M an..512	M an..512	Free text
4440	Free text value	C an..512	O an..512	Free text 2
4440	Free text value	C an..512	O an..512	Free text 3
4440	Free text value	C an..512	O an..512	Free text 4
4440	Free text value	C an..512	O an..512	Free text 5

Remark:

Free text information about the document.

Example:

FTX+AAI+1++Wir danken für Ihren Auftrag:Freitext 2:Freitext 3:Freitext 4:Freitext 5'
General free text information about the document.

Tag = Object-Name
 No. = Segment-Number in Guide
 MaxOcc = Max. Occurrence of Segment/Group
 Index = Index-Number of Segment/Group (in Standard)

St = Status
 EDIFACT: M=Mandatory, C=Conditional
 Usage: R=Required, O=Optional, D=Dependent, A=Advised,
 N=Not used

Segments

Index No.	Tag	St	MaxOcc	Level	Description
-----------	-----	----	--------	-------	-------------

Message Header

0070 13 **FTX** O 99 1 **File attachments**

Standard			Implementation	
Name	Name	St Format	St Format	Usage / Remark
FTX				
4451	Text subject code qualifier	M an..3	M an..3	MUL Attached file
4453	Free text function code	C an..3	C an..3	1 Text for subsequent use
C107	Text reference	C	O	
4441	Free text value code	M an..17	M an..17	PDF PDF attachment JPG Image attachment TXT Text file attachment EDIGRA only after bilateral agreement between sender and receiver HPGL2 only after bilateral agreement between sender and receiver CIMGRA only after bilateral agreement between sender and receiver
C108	Text literal	C	O	
4440	Free text value	M an..512	M an..512	Filename
4440	Free text value	C an..512	O an..512	File type bilaterally agreed file type. e.g.: Floor plan Front view Installation plan
4440	Free text value	C an..512	O an..512	Description Free text description of the contents of the file

Remark:

Information about files that will be transmitted with the EDI message.
e.g.: images or PDFs

Example:

FTX+MUL+1+PDF+Packzettel.pdf'

There is a packing slip attached in PDF format; filename: Packzettel.pdf.

FTX+MUL+1+PDF+GRD2873.pdf+Grundriss+Grundrissplan aus Planungssystem

There is a floor plan attached with the file name GRD2873.pdf

Tag = Object-Name
 No. = Segment-Number in Guide
 MaxOcc = Max. Occurrence of Segment/Group
 Index = Index-Number of Segment/Group (in Standard)

St = Status
 EDIFACT: M=Mandatory, C=Conditional
 Usage: R=Required, O=Optional, D=Dependent, A=Advised, N=Not used

Segments

Index No.	Tag	St	MaxOcc	Level	Description
0090	SG1	O	1	1	Reference / order number Message header
0100 14	RFF	M	1	1	Order number

Standard			Implementation	
Name	Name	St Format	St Format	Usage / Remark
RFF				
C506	Reference	M	M	
1153	Reference code qualifier	M an..3	M an..3	ON Order number (buyer)
1154	Reference identifier	C an..70	C an..70	Order number Document number of the sales order

Remark:

Document number of the sales order:
In this segment, the customer's order number is usually passed, to which all return messages refer.

Example:

RFF+ON:BE123456'
The document number of the purchase order to which this purchase order response refers is BE123456

Tag = Object-Name
No. = Segment-Number in Guide
MaxOcc = Max. Occurrence of Segment/Group
Index = Index-Number of Segment/Group (in Standard)

St = Status
EDIFACT: M=Mandatory, C=Conditional
Usage: R=Required, O=Optional, D=Dependent, A=Advised, N=Not used

Segments

Index No.	Tag	St	MaxOcc	Level	Description
0090	SG1	O	1	1	Reference / order number
	Message header				
0110 15	DTM	O	1	2	Order date

Standard			Implementation	
Name	Name	St Format	St Format	Usage / Remark
DTM				
C507	Date/time/period	M	M	
2005	Date or time or period function code qualifier	M an..3	M an..3	171 Reference date/time
2380	Date or time or period value	C an..35	C an..35	Order date
2379	Date or time or period format code	C an..3	C an..3	102 CCYYMMDD

Remark:

Date of order:
Date when the order was created (DTM+137 of the order).

Example:

DTM+171:20180115:102'

Tag = Object-Name
No. = Segment-Number in Guide
MaxOcc = Max. Occurrence of Segment/Group
Index = Index-Number of Segment/Group (in Standard)

St = Status
EDIFACT: M=Mandatory, C=Conditional
Usage: R=Required, O=Optional, D=Dependent, A=Advised, N=Not used

Segments

Index No.	Tag	St	MaxOcc	Level	Description
0090	SG1	O	2	1	Reference / Commission
Message header					
0100 16	RFF	M	1	1	Commission number

Standard			Implementation	
Name	Name	St Format	St Format	Usage / Remark
RFF				
C506	Reference	M	M	
1153	Reference code qualifier	M an..3	M an..3	YB4 Commission number
1154	Reference identifier	C an..70	R an..70	Commission number from customer order

Remark:

Commission number:
The customer commission of the order

Example:

RFF+YB4:123456'

The commission number is OBJ2638

Tag = Object-Name
No. = Segment-Number in Guide
MaxOcc = Max. Occurrence of Segment/Group
Index = Index-Number of Segment/Group (in Standard)

St = Status
EDIFACT: M=Mandatory, C=Conditional
Usage: R=Required, O=Optional, D=Dependent, A=Advised,
N=Not used

Segments

Index No.	Tag	St	MaxOcc	Level	Description
0090	SG1	O	1	1	Reference / Barcode number
	Message header				
0100 17	RFF	M	1	1	Barcode number

Standard			Implementation	
Name	Name	St Format	St Format	Usage / Remark
RFF				
C506	Reference	M	M	
1153	Reference code qualifier	M an..3	M an..3	ABO Originator's reference
1154	Reference identifier	C an..70	R an..70	Barcode number

Remark:

Barcode number for internal use or unique document archiving.

Example:

RFF+ABO:DAB376U'

The unique barcode number/document archive number is DAB376U.

Tag = Object-Name
 No. = Segment-Number in Guide
 MaxOcc = Max. Occurrence of Segment/Group
 Index = Index-Number of Segment/Group (in Standard)

St = Status
 EDIFACT: M=Mandatory, C=Conditional
 Usage: R=Required, O=Optional, D=Dependent, A=Advised,
 N=Not used

Segments

Index No.	Tag	St	MaxOcc	Level	Description
0090	SG1	O	999	1	additional reference information
Message Header					
0100 18	RFF	M	1	1	Reference

Standard			Implementation	
Name	Name	St Format	St Format	Usage / Remark
RFF				
C506	Reference	M	M	
1153	Reference code qualifier	M an..3	M an..3	OP Reference to the original customer order BO Blanket order number Reference to a blanket order (e.g., for call orders). PD Promotion deal number ATS External object reference External reference (see description)
1154	Reference identifier	C an..70	R an..70	Additional document reference

Remark:

Additional document reference:
e.g. planning IDs or external documents
More possible after bilateral agreement

External Reference (ATS)

The Qualifier ATS is used for References to oter external Systems.
The first 4 characters of the reference values are used as additional Qualifier.
Qualifier with less than 4 characters need to be filled up to 4 characters with spaces.
Example: RFF+ATS:FCIDfurncloudid (FCID = Furncloud-ID)
Example: RFF+ATS:FSC certificatenummer (FSC = FSC-Certificate)

Example:

RFF+OP:627482345672'
The original sales order number (e.g. order number from online store) is 627482345672

RFF+ATS:FCID5263728276
The Furncloud-ID is 5263728276

RFF+ATS:FSC FSC-C123456'
The FSC-Certificatenummer is FSC-C123456

Tag = Object-Name
No. = Segment-Number in Guide
MaxOcc = Max. Occurence of Segment/Group
Index = Index-Number of Segment/Group (in Standard)

St = Status
EDIFACT: M=Mandatory, C=Conditional
Usage: R=Required, O=Optional, D=Dependent, A=Advised,
N=Not used

Segments

Index No.	Tag	St	MaxOcc	Level	Description
0090	SG1	O	999	1	additional reference information
Message Header					
0110 19	DTM	C	5	2	Date/time/period

Standard			Implementation	
Name	Name	St Format	St Format	Usage / Remark
DTM				
C507	Date/time/period	M	M	
2005	Date or time or period function code qualifier	M an..3	M an..3	171 Reference date/time
2380	Date or time or period value	C an..35	C an..35	Date of referenced document
2379	Date or time or period format code	C an..3	C an..3	102 CCYYMMDD

Remark:

Date of the reference document

Example:

DTM+171:20180131:102'

The document date of the reference document is 31.01.2018

Tag = Object-Name
 No. = Segment-Number in Guide
 MaxOcc = Max. Occurrence of Segment/Group
 Index = Index-Number of Segment/Group (in Standard)

St = Status
 EDIFACT: M=Mandatory, C=Conditional
 Usage: R=Required, O=Optional, D=Dependent, A=Advised, N=Not used

Segments

Index No.	Tag	St	MaxOcc	Level	Description
0150	SG3	O	99	1	Names and addresses of the parties involved
Message header					
0160 20	NAD	M	1	1	Name and address

Standard			Implementation	
Name	Name	St Format	St Format	Usage / Remark
NAD				
3035	Party function code qualifier	M an..3	M an..3	BY Buyer SU Supplier DP Delivery party IV Invoicee UC End customer Ship-to party UD End customer Bill recipient, if different from UC (ultimate consignee) CA Carrier PL Central Regulator PO Client of the transport order PW Pickup address/delivery point PF Recipient of the freight invoice FW Selected transportation company MA Assembly address
C082	Party identification details	C	A	
3039	Party identifier	M an..35	M an..35	GLN or other unique identification number of the party involved.
1131	Code list identification code	C an..17	N	Not used
3055	Code list responsible agency code	C an..3	R an..3	9 GS1 91 Assigned by supplier or supplier's agent 92 Assigned by buyer or buyer's agent
C058	Name and address	C	N	
3124	Name and address description	M an..35	N	Not used
C080	Party name	C	O	
3036	Party name	M an..35	M an..35	Name For companies : company name For individuals: firstname lastname
3036	Party name	C an..35	O an..35	For companies: company name continuation For individuals individuals: blank
3036	Party name	C an..35	O an..35	For companies: blank For individuals: firstname
3036	Party name	C an..35	O an..35	For companies: blank For individuals: lastname
C059	Street	C	O	
3042	Street and number or post office box identifier	M an..35	M an..35	Street and house number
3042	Street and number or post office box identifier	C an..35	O an..35	
3042	Street and number or post office box identifier	C an..35	O an..35	
3042	Street and number or post office box identifier	C an..35	O an..35	
3164	City name	C an..35	O an..35	Location
C819	Country sub-entity details	C	N	
3229	Country sub-entity name code	C an..9	N	Not used
3251	Postal identification code	C an..17	O an..17	Postal code
3207	Country name code	C an..3	O an..3	Country code (2 digits, ISO)

Tag = Object-Name
 No. = Segment-Number in Guide
 MaxOcc = Max. Occurence of Segment/Group
 Index = Index-Number of Segment/Group (in Standard)

St = Status
 EDIFACT: M=Mandatory, C=Conditional
 Usage: R=Required, O=Optional, D=Dependent, A=Advised, N=Not used

Segments

		Standard	Implementation	
Name	Name	St Format	St Format	Usage / Remark
				e.g.: DE , AT ...

Remark:

Address information:

GLN, name and address of the companies involved

It is recommended to include here not only the GLN but also the name and complete address.

The use of GLN numbers is recommended. In exceptional cases, other codes can be used here if bilaterally agreed, (agency code 91 or 92 must be used in field 3055 accordingly).

If a unique identification number cannot be specified (e.g. for end customer addresses), it can be omitted (Field 3055 remains empty), otherwise it must be specified.

Example:

NAD+BY+8765432123456::9'

The GLN of the buyer is 8765432123456

NAD+DP++Hans Meyer+Musterstraße 1+Musterstadt+77777+DE'

The shipping address is:

Hans Meyer

Sample street 1

77777 Sample city

Germany

Tag = Object-Name

No. = Segment-Number in Guide

MaxOcc = Max. Occurrence of Segment/Group

Index = Index-Number of Segment/Group (in Standard)

St = Status

EDIFACT: M=Mandatory, C=Conditional

Usage: R=Required, O=Optional, D=Dependent, A=Advised,

N=Not used

Segments

Index No.	Tag	St	MaxOcc	Level	Description
0150	SG3	O	99	1	Names and addresses of the parties involved
Message header					
0190	SG4	O	1	2	VAT-ID
0200 21	RFF	M	1	2	VAT-ID

Standard			Implementation	
Name	Name	St Format	St Format	Usage / Remark
RFF				
C506	Reference	M	M	
1153	Reference code qualifier	M an..3	M an..3	VA VAT registration number
1154	Reference identifier	C an..70	R an..70	Value added tax identification number number

Remark:

Value added tax identification number:
The value added tax identification number is often expected by the recipient.

Example:

RFF+VA:DE4324789142'

The VAT-ID of the party concerned is DE4324789142

Tag = Object-Name
No. = Segment-Number in Guide
MaxOcc = Max. Occurrence of Segment/Group
Index = Index-Number of Segment/Group (in Standard)

St = Status
EDIFACT: M=Mandatory, C=Conditional
Usage: R=Required, O=Optional, D=Dependent, A=Advised, N=Not used

Segments

Index No.	Tag	St	MaxOcc	Level	Description
0150	SG3	O	99	1	Names and addresses of the parties involved
	Message header				
0190	SG4	O	1	2	Tax number
0200 22	RFF	M	1	2	Tax number

Standard			Implementation	
Name	Name	St Format	St Format	Usage / Remark
RFF				
C506	Reference	M	M	
1153	Reference code qualifier	M an..3	M an..3	FC Fiscal number
1154	Reference identifier	C an..70	C an..70	Tax number

Remark:

Tax number:

Like VAT-ID, required by some recipients.

Example:

RFF+FC:12345-131312'

The tax number of the party is 12345-131312.

Tag = Object-Name
 No. = Segment-Number in Guide
 MaxOcc = Max. Occurrence of Segment/Group
 Index = Index-Number of Segment/Group (in Standard)

St = Status
 EDIFACT: M=Mandatory, C=Conditional
 Usage: R=Required, O=Optional, D=Dependent, A=Advised,
 N=Not used

Segments

Index No.	Tag	St	MaxOcc	Level	Description
0150	SG3	O	99	1	Names and addresses of the parties involved Message header
0190	SG4	O	1	2	Identification number at the central regulator
0200 23	RFF	M	1	2	Identification number at the central regulator

Standard			Implementation	
Name	Name	St Format	St Format	Usage / Remark
RFF				
C506	Reference	M	M	
1153	Reference code qualifier	M an..3	M an..3	AGB Member/Customer-Number
1154	Reference identifier	C an..70	R an..70	ZR number Customer number of the participant at the central regulator

Remark:

The identification number at the central regulator is expected only at the invoice recipient (NAD+IV) and the supplier (NAD+SU).

Example:

RFF+AGB:832637'

The customer number at the central regulator is 832637

Tag = Object-Name
 No. = Segment-Number in Guide
 MaxOcc = Max. Occurrence of Segment/Group
 Index = Index-Number of Segment/Group (in Standard)

St = Status
 EDIFACT: M=Mandatory, C=Conditional
 Usage: R=Required, O=Optional, D=Dependent, A=Advised,
 N=Not used

Segments

Index No.	Tag	St	MaxOcc	Level	Description
0150	SG3	O	99	1	Names and addresses of the parties involved
	Message header				
0190	SG4	O	1	2	Contract number
0200 24	RFF	M	1	2	Contract number

Standard			Implementation	
Name	Name	St Format	St Format	Usage / Remark
	RFF			
C506	Reference	M	M	
1153	Reference code qualifier	M an..3	M an..3	CT Partner identification at the central regulator
1154	Reference identifier	C an..70	R an..70	Contract number

Remark:

The contract number can be specified here.

Example:

RFF+CT:VAB-938/18'

The contract number is VAB-938/18

Tag = Object-Name
 No. = Segment-Number in Guide
 MaxOcc = Max. Occurrence of Segment/Group
 Index = Index-Number of Segment/Group (in Standard)

St = Status
 EDIFACT: M=Mandatory, C=Conditional
 Usage: R=Required, O=Optional, D=Dependent, A=Advised,
 N=Not used

Segments

Index No.	Tag	St	MaxOcc	Level	Description
0150	SG3	O	99	1	Names and addresses of the parties involved Message header
0190	SG4	O	1	2	Customer number
0200 25	RFF	M	1	2	Customer number

Standard			Implementation	
Name	Name	St Format	St Format	Usage / Remark
RFF				
C506	Reference	M	M	
1153	Reference code qualifier	M an..3	M an..3	IT Internal customer number
1154	Reference identifier	C an..70	R an..70	Customer number Number of the buyer at the manufacturer

Remark:

Customer number of the buyer at the manufacturer.
If specified, this information must be provided to the purchaser (NAD+BY).

Example:

RFF+IT:KD98234'
The customer number is KD98234

Tag = Object-Name
No. = Segment-Number in Guide
MaxOcc = Max. Occurrence of Segment/Group
Index = Index-Number of Segment/Group (in Standard)

St = Status
EDIFACT: M=Mandatory, C=Conditional
Usage: R=Required, O=Optional, D=Dependent, A=Advised,
N=Not used

Segments

Index No.	Tag	St	MaxOcc	Level	Description
0150	SG3	O	99	1	Names and addresses of the parties involved
Message header					
0250	SG6	O	5	2	Contact person and communication data
0260 26	CTA	M	1	2	Contact person or department

Standard			Implementation	
Name	Name	St Format	St Format	Usage / Remark
CTA				
3139	Contact function code	C an..3	R an..3	MGR Manager (GS1 Temporary Code) MC Material control contact
C056	Department or employee details	C	C	
3413	Department or employee name code	C an..17	O an..17	Identifier of the contact person or department
3412	Department or employee name	C an..35	O an..35	Name of contact person or department

Remark:

Name of contact person or department.

When transmitting EUDR information, it is necessary to specify the supplier EUDR contact person.

Example:

CTA+MGR+EK:Einkauf'

Contact person is the purchasing manager

CTA+MC+DW:Dietmar Weber'

The contact person for questions regarding the EUDR is Mr. Weber

Tag = Object-Name
 No. = Segment-Number in Guide
 MaxOcc = Max. Occurence of Segment/Group
 Index = Index-Number of Segment/Group (in Standard)

St = Status
 EDIFACT: M=Mandatory, C=Conditional
 Usage: R=Required, O=Optional, D=Dependent, A=Advised,
 N=Not used

Segments

Index No.	Tag	St	MaxOcc	Level	Description
0150	SG3	O	99	1	Names and addresses of the parties involved Message header
0250	SG6	O	5	2	Contact person and communication data
0270 27	COM	O	5	3	Communication contact

Standard			Implementation	
Name	Name	St Format	St Format	Usage / Remark
COM				
C076	Communication contact	M	M	
3148	Communication address identifier	M an..512	M an..512	Communication address of the contact person or department
3155	Communication address code qualifier	M an..3	M an..3	TE Telephone AL Cellular Phone EM Email FX Fax

Remark:

Communication address (phone, email,...) of the contact person or department.

If you specify a EUDR contact person, you must provide their email address.

Example:

COM+0711/1234567:TE'

The phone number is 0711/1234567

CTA+MC+DW:Dietmar Weber'

COM+Dietmar.Weber@IWOofurn.com:EM'

The email address of the EUDR responsible contact is Dietmar.Weber@IWOofurn.com

Tag = Object-Name
 No. = Segment-Number in Guide
 MaxOcc = Max. Occurence of Segment/Group
 Index = Index-Number of Segment/Group (in Standard)

St = Status
 EDIFACT: M=Mandatory, C=Conditional
 Usage: R=Required, O=Optional, D=Dependent, A=Advised,
 N=Not used

Segments

Index No.	Tag	St	MaxOcc	Level	Description
0320	SG8	C	5	1	Currency
0330 28	CUX	M	1	1	Currencies

Standard			Implementation	
Name	Name	St Format	St Format	Usage / Remark
CUX				
C504	Currency details	C	C	
6347	Currency usage code qualifier	M an..3	M an..3	2 Reference currency
6345	Currency identification code	C an..3	C an..3	EUR Euro

Remark:

Example:

CUX+2 : EUR '

All amounts are in EURO (unless stated otherwise).

Tag = Object-Name
 No. = Segment-Number in Guide
 MaxOcc = Max. Occurrence of Segment/Group
 Index = Index-Number of Segment/Group (in Standard)

St = Status
 EDIFACT: M=Mandatory, C=Conditional
 Usage: R=Required, O=Optional, D=Dependent, A=Advised,
 N=Not used

Segments

Index No.	Tag	St	MaxOcc	Level	Description
0490	SG13	O	99	1	Packaging information
	Message header				
0500 29	PAC	M	1	1	Package

Standard			Implementation	
Name	Name	St Format	St Format	Usage / Remark
PAC				
7224	Package quantity	C n..8	R n..8	Total number of packages
C531	Packaging details	C	N	
7075	Packaging level code	C an..3	N	Not used
C202	Package type	C	O	
7065	Package type description code	C an..17	O an..17	200 Pallet ISO 0 - 1/2 EURO Pallet (GS1 Temporary Code) 201 Pallet ISO 1 - 1/1 EURO Pallet (GS1 Temporary Code) PC Parcel CT Carton

Remark:

Indication of the total number of packages

Example:

PAC+9++201'

The delivery will consist of 9 EURO pallets.

Tag = Object-Name
 No. = Segment-Number in Guide
 MaxOcc = Max. Occurrence of Segment/Group
 Index = Index-Number of Segment/Group (in Standard)

St = Status
 EDIFACT: M=Mandatory, C=Conditional
 Usage: R=Required, O=Optional, D=Dependent, A=Advised, N=Not used

Segments

Index No.	Tag	St	MaxOcc	Level	Description
0490	SG13	O	99	1	Packaging information
	Message header				
0510 30	MEA	C	5	2	Measurements

Standard			Implementation	
Name	Name	St Format	St Format	Usage / Remark
MEA				
6311	Measurement purpose code qualifier	M an..3	M an..3	PD Physical dimensions (product ordered)
C502	Measurement details	C	C	
6313	Measured attribute code	C an..3	C an..3	AAD Total gross weight AAW Gross volume
C174	Value/range	C	C	
6411	Measurement unit code	M an..3	M an..3	KGM kilogram MTQ cubic metre
6314	Measurement value	C an..18	C an..18	Dimension of the package

Remark:

Volume and weight of the complete shipment

Example:

MEA+PD+AAD+KGM:1500'

The gross weight of the shipment is 1500Kg

Tag = Object-Name
 No. = Segment-Number in Guide
 MaxOcc = Max. Occurrence of Segment/Group
 Index = Index-Number of Segment/Group (in Standard)

St = Status
 EDIFACT: M=Mandatory, C=Conditional
 Usage: R=Required, O=Optional, D=Dependent, A=Advised,
 N=Not used

Segments

Index No.	Tag	St	MaxOcc	Level	Description
0730	SG19	O	99	1	Allowances (discounts) and Surcharges
Message header					
0740 31	ALC	M	1	1	Allowance or charge

Standard			Implementation	
Name	Name	St Format	St Format	Usage / Remark
ALC				
5463	Allowance or charge code qualifier	M an..3	M an..3	A Allowance C Charge
C552	Allowance/charge information	C	N	
1230	Allowance or charge identifier	C an..35	N	Not used
4471	Settlement means code	C an..3	N	Not used
1227	Calculation sequence code	C an..3	R an..3	Order in which discounts are applied to the amount. 1 First step of calculation 2 Second step of calculation 3 Third step of calculation 4 Fourth step of calculation 5 Fifth step of calculation 6 Sixth step of calculation
C214	Special services identification	C	C	
7161	Special service description code	C an..3	R an..3	Type of allowance or surcharge coded DI Discount IN Insurance FC Freight charge PC Packing MC Material surcharge (special materials) CAI Cutting charge
1131	Code list identification code	C an..17	N	Not used
3055	Code list responsible agency code	C an..3	R an..3	9 GS1
7160	Special service description	C an..35	C an..35	Description of the allowance or surcharge

Remark:

Description of the allowance or surcharge:
e.g. promotion discount, freight charges, packing charges etc.
A separate segment group 16 must be created for each invoiced document condition.
Document conditions in the header are independent of those in the item part, i.e. all conditions always apply (Conditions in the item part do not overwrite the conditions in the header).
It is mandatory to specify the amount of allowance or surcharge (MOA) to avoid rounding differences.

Example:

```
ALC+A+++1+DI:::Frühlingsrabatt.'
PCD+3:5
MOA+8:10.22:EUR
A spring discount of 10.22 EUR (5%) will be applied.
```

Tag = Object-Name
No. = Segment-Number in Guide
MaxOcc = Max. Occurrence of Segment/Group
Index = Index-Number of Segment/Group (in Standard)

St = Status
EDIFACT: M=Mandatory, C=Conditional
Usage: R=Required, O=Optional, D=Dependent, A=Advised, N=Not used

Segments

Index No.	Tag	St	MaxOcc	Level	Description
0730	SG19	O	99	1	Allowances (discounts) and Surcharges
	Message header				
0800	SG21	C	1	2	Percentage value
0810 32	PCD	M	1	2	Percentage value

Standard			Implementation	
Name	Name	St Format	St Format	Usage / Remark
PCD				
C501	Percentage details	M	M	
5245	Percentage type code qualifier	M an..3	M an..3	3 Allowance or charge
5482	Percentage	C n..10	R n..10	Percentage of the surcharge or discount

Remark:

Percentage of surcharge or allowance:
Specifies the percentage value of the surcharge or discount.

Example:

PCD+3: 5'
The surcharge or discount is 5%.

Tag = Object-Name
No. = Segment-Number in Guide
MaxOcc = Max. Occurrence of Segment/Group
Index = Index-Number of Segment/Group (in Standard)

St = Status
EDIFACT: M=Mandatory, C=Conditional
Usage: R=Required, O=Optional, D=Dependent, A=Advised, N=Not used

Segments

Index No.	Tag	St	MaxOcc	Level	Description
0730	SG19	O	99	1	Allowances (discounts) and Surcharges
	Message header				
0830	SG22	R	1	2	Amount of money
0840 33	MOA	M	1	2	Monetary amount

Standard			Implementation	
Name	Name	St Format	St Format	Usage / Remark
MOA				
C516	Monetary amount	M	M	
5025	Monetary amount type code qualifier	M an..3	M an..3	8 Allowance or charge amount
5004	Monetary amount	C n..35	R n..35	Amount Amount of the surcharge or discount
6345	Currency identification code	C an..3	R an..3	EUR Euro

Remark:

Amount of the surcharge or discount:
Specifies the amount of the surcharge or discount.

Example:

MOA+8:10.22:EUR'

The surcharge or discount amount is 10.22 EUR

Tag = Object-Name
No. = Segment-Number in Guide
MaxOcc = Max. Occurrence of Segment/Group
Index = Index-Number of Segment/Group (in Standard)

St = Status
EDIFACT: M=Mandatory, C=Conditional
Usage: R=Required, O=Optional, D=Dependent, A=Advised,
N=Not used

Segments

Index No.	Tag	St	MaxOcc	Level	Description
0970	SG26	C	200000	1	Item position 1. Base unit (base article, assortment, container, set ...)
0980 34	LIN	M	1	1	Item position

Standard			Implementation	
Name	Name	St Format	St Format	Usage / Remark
LIN				
1082	Line item identifier	C an..6	C an..6	position number
1229	Action request/notification description code	C an..3	N	Not used
C212	Item number identification	C	C	
7140	Item identifier	C an..35	C an..35	GTIN of the item
7143	Item type identification code	C an..3	C an..3	SRV GS1 Global Trade Item Number

Remark:

Contains the item number and the GTIN of the item.
 Each item can have sub-items to represent different item types.
 Each sub-item is a separate item that refers to the corresponding main item.

Sub-items are used, for example, to represent variant items (configurable items), collections (a collection of like or unlike items), displays (a collection of similar items), or containers (a collection of same items).

The following segments apply as examples for all types of article items (with the exception of sub-items for variant articles).

Example:

LIN+1++4312345678910:SRV'
 The item position 1 has the GTIN 4312345678910

Tag = Object-Name
 No. = Segment-Number in Guide
 MaxOcc = Max. Occurrence of Segment/Group
 Index = Index-Number of Segment/Group (in Standard)

St = Status
 EDIFACT: M=Mandatory, C=Conditional
 Usage: R=Required, O=Optional, D=Dependent, A=Advised,
 N=Not used

Segments

Index No.	Tag	St	MaxOcc	Level	Description
0970	SG26	C	200000	1	Item position
1. Base unit (base article, assortment, container, set ...)					
0990 35	PIA	O	4	2	Item number

Standard			Implementation	
Name	Name	St Format	St Format	Usage / Remark
PIA				
4347	Product identifier code qualifier	M an..3	M an..3	1 Additional identification
C212	Item number identification	M	M	
7140	Item identifier	C an..35	R an..35	Additional item identification
7143	Item type identification code	C an..3	R an..3	SA Supplier's article number IN Buyer's item number

Remark:

Contains e.g. the manufacturer article number or the buyer article number.

Example:

PIA+1+12345:SA'

The manufacturer part number is 12345

Tag = Object-Name
 No. = Segment-Number in Guide
 MaxOcc = Max. Occurrence of Segment/Group
 Index = Index-Number of Segment/Group (in Standard)

St = Status
 EDIFACT: M=Mandatory, C=Conditional
 Usage: R=Required, O=Optional, D=Dependent, A=Advised,
 N=Not used

Segments

Index No.	Tag	St	MaxOcc	Level	Description
0970	SG26	C	200000	1	Item position
1. Base unit (base article, assortment, container, set ...)					
0990 36	PIA	O	4	2	Customs tariff / Batch number

Standard			Implementation	
Name	Name	St Format	St Format	Usage / Remark
PIA				
4347	Product identifier code qualifier	M an..3	M an..3	1 Additional identification
C212	Item number identification	M	M	
7140	Item identifier	C an..35	R an..35	Additional item identification
7143	Item type identification code	C an..3	R an..3	HS Harmonised system NB Batch number

Remark:

Contains the customs tariffs number, respectively the production batch number

Example:

PIA+1+94016100999:HS'

The customs tariff number is 94016100999

PIA+1+23-2024:NB

The Batch number is 23-2024

Tag = Object-Name
 No. = Segment-Number in Guide
 MaxOcc = Max. Occurrence of Segment/Group
 Index = Index-Number of Segment/Group (in Standard)

St = Status
 EDIFACT: M=Mandatory, C=Conditional
 Usage: R=Required, O=Optional, D=Dependent, A=Advised,
 N=Not used

Segments

Index No.	Tag	St	MaxOcc	Level	Description
0970	SG26	C	200000	1	Item position
1. Base unit (base article, assortment, container, set ...)					
0990 37	PIA	O	1	2	Program / Series

Standard			Implementation	
Name	Name	St Format	St Format	Usage / Remark
PIA				
4347	Product identifier code qualifier	M an..3	M an..3	1 Additional identification
C212	Item number identification	M	M	
7140	Item identifier	C an..35	R an..35	Program / Series Identification of the program, series corresponds to SERIES_NAME field in IDM-Polster
7143	Item type identification code	C an..3	R an..3	GB Name or number of the program
1131	Code list identification code	C an..17	N	Not used
3055	Code list responsible agency code	C an..3	R an..3	91 Assigned by supplier or supplier's agent 92 Assigned by buyer or buyer's agent

Remark:

Contains the identification of the program, series
Contains the identification of the program, series.

Primarily the program ID assigned by the manufacturer must be entered here. (Code 91)
If necessary, the program ID assigned by the purchaser can also be specified here as an option. (Code 92)
Use data element 3055 to distinguish the program/series id of buyer and supplier.
The ID assigned by the buyer can optionally be specified if the manufacturer ID has been

Example:

PIA+1+HOLLE:GB::91'
The program is HOLLE

Tag = Object-Name
No. = Segment-Number in Guide
MaxOcc = Max. Occurence of Segment/Group
Index = Index-Number of Segment/Group (in Standard)

St = Status
EDIFACT: M=Mandatory, C=Conditional
Usage: R=Required, O=Optional, D=Dependent, A=Advised,
N=Not used

Segments

Index No.	Tag	St	MaxOcc	Level	Description
0970	SG26	C	200000	1	Item position
1. Base unit (base article, assortment, container, set ...)					
0990 38	PIA	O	10	2	eClass Classification

Standard			Implementation	
Name	Name	St Format	St Format	Usage / Remark
PIA				
4347	Product identifier code qualifier	M an..3	M an..3	1 Additional identification
C212	Item number identification	M	M	
7140	Item identifier	C an..35	R an..35	eClass Classification or Characteristic-Code
7143	Item type identification code	C an..3	R an..3	Type of the eClass Identification (Classification or Characteristic) EC eClass Classification ECC eClass Characteristic
1131	Code list identification code	C an..17	N	Not used
3055	Code list responsible agency code	C an..3	R an..3	STQ eClass Standard
C212	Item number identification	C	D	
7140	Item identifier	C an..35	R an..35	eClass Characteristic-Value
7143	Item type identification code	C an..3	R an..3	ECV eClass Characteristic-Value
1131	Code list identification code	C an..17	N	Not used
3055	Code list responsible agency code	C an..3	R an..3	STQ eClass Standard

Remark:

Contains the Classification according to eClass Stanard
This may contain the item classification as well as the item characteristics.

Specifying a Characteristic (ECC) required the additional specification of the Characterictics-Value (ECV).

The definition of item characteristics (ECC, ECV) are preliminary.

This might change in future.

Example:

PIA+1+0173-1#02-AAX608#001:EC::STQ'

The eClass Classification is "0173-1#02-AAX608#001"

PIA+1+0173-1#02-AAX637#001:ECC::STQ+0173-1#07-AAA363#003:ECV::STQ'

The eClass Characteristic "0173-1#02-AAX637#001" has the value "0173-1#07-AAA363#003"

Tag = Object-Name
No. = Segment-Number in Guide
MaxOcc = Max. Occurence of Segment/Group
Index = Index-Number of Segment/Group (in Standard)

St = Status
EDIFACT: M=Mandatory, C=Conditional
Usage: R=Required, O=Optional, D=Dependent, A=Advised,
N=Not used

Segments

Index No.	Tag	St	MaxOcc	Level	Description
0970	SG26	C	200000	1	Item position 1. Base unit (base article, assortment, container, set ...)
1000 39	IMD	O	1	2	Article description

		Standard		Implementation		
Name	Name	St	Format	St	Format	Usage / Remark
IMD						
7077	Description format code	C	an..3	R	an..3	F Free-form
C272	Item characteristic	C		N		
7081	Item characteristic code	C	an..3	R	an..3	ANM Article name (GS1 Temporary Code)
C273	Item description	C		R		
7009	Item description code	C	an..17	N		Not used
1131	Code list identification code	C	an..17	N		Not used
3055	Code list responsible agency code	C	an..3	N		Not used
7008	Item description	C	an..256	R	an..256	Item name of the seller
7008	Item description	C	an..256	O	an..256	Item name of the buyer

Remark:

Contains the item name

Example:

IMD+F++:::Funktions-Sofa Holle:Holle Schlafsofa'

The supplier/invoicing party's item name is "Funktions-Sofa Holle", and the item's name used by the buyer is "Holle Schlafsofa".

Tag = Object-Name
 No. = Segment-Number in Guide
 MaxOcc = Max. Occurence of Segment/Group
 Index = Index-Number of Segment/Group (in Standard)

St = Status
 EDIFACT: M=Mandatory, C=Conditional
 Usage: R=Required, O=Optional, D=Dependent, A=Advised,
 N=Not used

Segments

Index No.	Tag	St	MaxOcc	Level	Description
0970	SG26	C	200000	1	Item position 1. Base unit (base article, assortment, container, set ...)
1000 40	IMD	D	5	2	Type of item (flag)

Standard			Implementation	
Name	Name	St Format	St Format	Usage / Remark
IMD				
7077	Description format code	C an..3	C an..3	C Code (from industry code list)
C272	Item characteristic	C	N	
7081	Item characteristic code	C an..3	N	Not used
C273	Item description	C	C	
7009	Item description code	C an..17	C an..17	<p>BA Base article (GS1 Permanent Code) A base article for ordering an order-dependent produced article (variant article) . Base items must always be supplemented with a set of options.</p> <p>TU Traded unit (GS1 Permanent Code) The package size of one or more products agreed upon between trading partners as the size that will be ordered, delivered and invoiced.</p> <p>SG Standard group of products (mixed assortment) (GS1 Permanent Code) A standard package containing various products that can be ordered, delivered and charged.</p> <p>SPK Setpack (GS1 Permanent Code)</p> <p>PR1 Bonus Pack (GS1 Permanent Code)</p> <p>NO Not an ordering unit (GS1 Permanent Code) The package size of one or more products that cannot be ordered.</p> <p>NDU Not a despatch unit (GS1 Permanent Code) The current basic article or packaging is not a regular logistic delivery unit, i.e. it is usually delivered only together with others for later repackaging and not as an individual logistic unit.</p> <p>FMD 3rd party article</p> <p>SER Service (GS1 Permanent Code)</p> <p>Item type</p>

Remark:

Type of item:

Whether it is e.g. a trade unit or a 3rd party article. Further information can be found in the code list.

Example:

IMD+C++BA'

This is a base item (a configurable item that is further specified via options).

IMD+C++TU

This item is a trading unit.

Tag = Object-Name

No. = Segment-Number in Guide

MaxOcc = Max. Occurrence of Segment/Group

Index = Index-Number of Segment/Group (in Standard)

St = Status

EDIFACT: M=Mandatory, C=Conditional

Usage: R=Required, O=Optional, D=Dependent, A=Advised,

N=Not used

Segments

Index No.	Tag	St	MaxOcc	Level	Description
0970	SG26	C	200000	1	Item position
1. Base unit (base article, assortment, container, set ...)					
1000 41	IMD	D	5	2	EUDR Regulatory relevance

Standard			Implementation	
Name	Name	St Format	St Format	Usage / Remark
IMD				
7077	Description format code	C an..3	C an..3	C Code (from industry code list)
C272	Item characteristic	C	C	
7081	Item characteristic code	C an..3	C an..3	DDR EUDR relevant
C273	Item description	C	C	
7009	Item description code	C an..17	C an..17	RR Relevant NRR Not relevant NRE Not relevant, justified exception

Remark:

Marking whether an article is subject to certain regulations or legal provisions.

Regarding the Deforestation Regulation (EUDR), the following values apply:

RR: The item is EUDR relevant

NRR: The item is not EUDR relevant

NRE: The article is not EUDR relevant because it comes from a "safe country of origin".

Example:

IMD+C+DDR+RR'

The item is EUDR relevant

Tag = Object-Name
 No. = Segment-Number in Guide
 MaxOcc = Max. Occurence of Segment/Group
 Index = Index-Number of Segment/Group (in Standard)

St = Status
 EDIFACT: M=Mandatory, C=Conditional
 Usage: R=Required, O=Optional, D=Dependent, A=Advised,
 N=Not used

Segments

Index No.	Tag	St	MaxOcc	Level	Description
0970	SG26	C	200000	1	Item position 1. Base unit (base article, assortment, container, set ...)
1000 42	IMD	O	99	2	Quality feature / certificate

		Standard	Implementation	
Name	Name	St Format	St Format	Usage / Remark
IMD				
7077	Description format code	C an..3	C an..3	F Free-form
C272	Item characteristic	C	C	
7081	Item characteristic code	C an..3	C an..3	13 Quality
C273	Item description	C	C	
7009	Item description code	C an..17	N	Not used
1131	Code list identification code	C an..17	N	Not used
3055	Code list responsible agency code	C an..3	N	Not used
7008	Item description	C an..256	C an..256	Name of the certificate / quality feature

Remark:

This segment is used to specify product-specific quality characteristics (such as certifications) of the product.

Example:

IMD+F+13+:::PEFC'

The article has the quality flag "PEFC".

Tag = Object-Name
 No. = Segment-Number in Guide
 MaxOcc = Max. Occurence of Segment/Group
 Index = Index-Number of Segment/Group (in Standard)

St = Status
 EDIFACT: M=Mandatory, C=Conditional
 Usage: R=Required, O=Optional, D=Dependent, A=Advised,
 N=Not used

Segments

Index No.	Tag	St	MaxOcc	Level	Description
0970	SG26	C	200000	1	Item position
1. Base unit (base article, assortment, container, set ...)					
1010 43	MEA	O	99	2	Measurements

Standard			Implementation	
Name	Name	St Format	St Format	Usage / Remark
MEA				
6311	Measurement purpose code qualifier	M an..3	M an..3	AAE Weight or volume in general PD Physical dimensions (product ordered) ABL Inner dimension ABK Outside dimension Y2E Maximum dimensions using a functionality (GS1 Temporary Code) Maximum dimension e.g. by extension Y3E Minimum dimensions using a functionality (GS1 Temporary Code) Minimum dimension e.g. folding chair folded in Y4E Mattress dimensions (GS1 Temporary Code) Y5E Seat dimensions (GS1 Temporary Code)
C502	Measurement details	C	R	
6313	Measured attribute code	C an..3	R an..3	AAA Unit net weight AAB Unit gross weight AAF Net weight of one unit without packaging ABJ Volume DP Depth HT Height dimension LN Length dimension WD Width dimension DI Diameter
C174	Value/range	C	R	
6411	Measurement unit code	M an..3	R an..3	MMT millimetre CMT centimetre MTR metre KGM kilogram MTQ cubic metre
6314	Measurement value	C an..18	R an..18	Measurements of the article

Remark:

Dimensional data

e.g. whether it is a weight and what type of weight (net or gross weight) Also you can specify the length, width and height of the item.

Example:

MEA+AAE+WD+MMT:1200'

The width of the article is 1200mm

Tag = Object-Name
 No. = Segment-Number in Guide
 MaxOcc = Max. Occurence of Segment/Group
 Index = Index-Number of Segment/Group (in Standard)

St = Status
 EDIFACT: M=Mandatory, C=Conditional
 Usage: R=Required, O=Optional, D=Dependent, A=Advised, N=Not used

Segments

Index No.	Tag	St	MaxOcc	Level	Description
0970	SG26	C	200000	1	Item position
1. Base unit (base article, assortment, container, set ...)					
1020 44	QTY	R	99	2	Confirmed delivery quantity

Standard			Implementation	
Name	Name	St Format	St Format	Usage / Remark
QTY				
C186	Quantity details	M	M	
6063	Quantity type code qualifier	M an..3	M an..3	131 Confirmed delivery quantity
6060	Quantity	M an..35	M an..35	Order confirmation quantity
6411	Measurement unit code	C an..3	O an..3	PCE Piece (GS1 Temporary Code) MTR metre KGM kilogram

Remark:

The quantity that the sender confirms to the receiver.

Example:

QTY+131:2:PCE'

The delivery quantity is 2 pieces.

Tag = Object-Name
 No. = Segment-Number in Guide
 MaxOcc = Max. Occurence of Segment/Group
 Index = Index-Number of Segment/Group (in Standard)

St = Status
 EDIFACT: M=Mandatory, C=Conditional
 Usage: R=Required, O=Optional, D=Dependent, A=Advised,
 N=Not used

Segments

Index	No.	Tag	St	MaxOcc	Level	Description
0970		SG26	C	200000	1	Item position
1. Base unit (base article, assortment, container, set ...)						
1020	45	QTY	O	3	2	Other quantity data

Standard			Implementation	
Name	Name	St Format	St Format	Usage / Remark
QTY				
C186	Quantity details	M	M	
6063	Quantity type code qualifier	M an..3	M an..3	21 Ordered quantity 83 Backorder quantity
6060	Quantity	M an..35	M an..35	Quantity
6411	Measurement unit code	C an..3	C an..3	PCE Piece (GS1 Temporary Code) MTR metre KGM kilogram

Remark:

Further optional quantity specifications, such as the calculated quantity

Example:

QTY+83:1:PCE'

1 piece will be delivered later

QTY+21:3:PCE

The ordered quantity is 3 pieces.

Tag = Object-Name
 No. = Segment-Number in Guide
 MaxOcc = Max. Occurence of Segment/Group
 Index = Index-Number of Segment/Group (in Standard)

St = Status
 EDIFACT: M=Mandatory, C=Conditional
 Usage: R=Required, O=Optional, D=Dependent, A=Advised,
 N=Not used

Segments

Index No.	Tag	St	MaxOcc	Level	Description
0970	SG26	C	200000	1	Item position
1. Base unit (base article, assortment, container, set ...)					
1050 46	DTM	O	1	2	Delivery date (required)

Standard			Implementation	
Name	Name	St Format	St Format	Usage / Remark
DTM				
C507	Date/time/period	M	M	
2005	Date or time or period function code qualifier	M an..3	M an..3	2 Delivery date/time, requested
2380	Date or time or period value	C an..35	R an..35	Delivery date Requested delivery date
2379	Date or time or period format code	C an..3	R an..3	102 CCYYMMDD 616 CCYYWW

Remark:

Requested delivery date
Date when the recipient wants this item delivered (if different from the date in the document header)

Example:

DTM+2:20180515:102'

The requested delivery date for this item is 15.05.2018.

Tag = Object-Name
No. = Segment-Number in Guide
MaxOcc = Max. Occurrence of Segment/Group
Index = Index-Number of Segment/Group (in Standard)

St = Status
EDIFACT: M=Mandatory, C=Conditional
Usage: R=Required, O=Optional, D=Dependent, A=Advised, N=Not used

Segments

Index No.	Tag	St	MaxOcc	Level	Description
0970	SG26	C	200000	1	Item position
1. Base unit (base article, assortment, container, set ...)					
1050 47	DTM	O	1	2	Delivery date (planned)

Standard			Implementation	
Name	Name	St Format	St Format	Usage / Remark
DTM				
C507	Date/time/period	M	M	
2005	Date or time or period function code qualifier	M an..3	M an..3	76 Delivery date/time, scheduled for
2380	Date or time or period value	C an..35	R an..35	Delivery date
2379	Date or time or period format code	C an..3	R an..3	Confirmed delivery date 102 CCYYMMDD 616 CCYYWW

Remark:

Confirmed delivery:

Date when the sender assures the recipient of the item. If applicable, different from the requested delivery date (if different from the information in the document header).

Example:

DTM+76:20180520:102'

The confirmed delivery date of this item is 20.05.2018.

Tag = Object-Name
No. = Segment-Number in Guide
MaxOcc = Max. Occurence of Segment/Group
Index = Index-Number of Segment/Group (in Standard)

St = Status
EDIFACT: M=Mandatory, C=Conditional
Usage: R=Required, O=Optional, D=Dependent, A=Advised, N=Not used

Segments

Index No.	Tag	St	MaxOcc	Level	Description
0970	SG26	C	200000	1	Item position
1. Base unit (base article, assortment, container, set ...)					
1060 48	MOA	D	1	2	Position total amount

Standard			Implementation	
Name	Name	St Format	St Format	Usage / Remark
MOA				
C516	Monetary amount	M	M	
5025	Monetary amount type code qualifier	M an..3	M an..3	203 Line item amount
5004	Monetary amount	C n..35	R n..35	position amount
6345	Currency identification code	C an..3	O an..3	EUR Euro

Remark:

Item amount:
 The sum resulting from the
 Gross price x quantity + - surcharges/discounts
 OR
 Net price x quantity
 Only billable items may have a total item value (MOA+203).

General rule:

Adding up all the total item values gives the total goods value of the invoice,
 i.e. sub-items may not have item amounts that are already included in the main item.
 However, it is allowed to specify item amounts in main and sub-items where it makes sense to do so
 (e.g.: for sub-items that represent a surcharge which are not included in the main item).

Example:

MOA+203:1047.99:EUR'
 The total position amount is 1047.99 EUR

Tag = Object-Name
 No. = Segment-Number in Guide
 MaxOcc = Max. Occurence of Segment/Group
 Index = Index-Number of Segment/Group (in Standard)

St = Status
 EDIFACT: M=Mandatory, C=Conditional
 Usage: R=Required, O=Optional, D=Dependent, A=Advised,
 N=Not used

Segments

Index No.	Tag	St	MaxOcc	Level	Description
0970	SG26	C	200000	1	Item position 1. Base unit (base article, assortment, container, set ...)
1060 49	MOA	D	1	2	Item amount of surcharges and discounts

Standard			Implementation	
Name	Name	St Format	St Format	Usage / Remark
MOA				
C516	Monetary amount	M	M	
5025	Monetary amount type code qualifier	M an..3	M an..3	131 Total charges/allowances
5004	Monetary amount	C n..35	R n..35	Sum of surcharges and discounts
6345	Currency identification code	C an..3	O an..3	EUR Euro

Remark:

Item amount of surcharges and discounts

Example:

MOA+131: -2.55:EUR'

This item includes 2,55 EUR discount.

Tag = Object-Name
No. = Segment-Number in Guide
MaxOcc = Max. Occurence of Segment/Group
Index = Index-Number of Segment/Group (in Standard)

St = Status
EDIFACT: M=Mandatory, C=Conditional
Usage: R=Required, O=Optional, D=Dependent, A=Advised,
N=Not used

Segments

Index No.	Tag	St	MaxOcc	Level	Description
0970	SG26	C	200000	1	Item position
1. Base unit (base article, assortment, container, set ...)					
1060 50	MOA	D	10	2	Other position amounts

Standard			Implementation	
Name	Name	St Format	St Format	Usage / Remark
MOA				
C516	Monetary amount	M	M	
5025	Monetary amount type code qualifier	M an..3	M an..3	64 Freight charge 40 Customs value
5004	Monetary amount	C n..35	R n..35	Additional position amount
6345	Currency identification code	C an..3	O an..3	EUR Euro

Remark:

Additional item amounts:

E.g. the net position amount = Less position discounts plus position flagups.

Example:

MOA+64:20.00:EUR'

20,00 EUR freight costs are included in this position.

Tag = Object-Name
 No. = Segment-Number in Guide
 MaxOcc = Max. Occurrence of Segment/Group
 Index = Index-Number of Segment/Group (in Standard)

St = Status
 EDIFACT: M=Mandatory, C=Conditional
 Usage: R=Required, O=Optional, D=Dependent, A=Advised,
 N=Not used

Segments

Index No.	Tag	St	MaxOcc	Level	Description
0970	SG26	C	200000	1	Item position
1. Base unit (base article, assortment, container, set ...)					
1140 51	FTX	O	99	2	Free text

Standard			Implementation	
Name	Name	St Format	St Format	Usage / Remark
FTX				
4451	Text subject code qualifier	M an..3	R an..3	ZZZ Mutually defined
4453	Free text function code	C an..3	R an..3	1 Text for subsequent use
C107	Text reference	C	O	
4441	Free text value code	M an..17	N	Not used
C108	Text literal	C	R	
4440	Free text value	M an..512	M an..512	Free text
4440	Free text value	C an..512	O an..512	Free text
4440	Free text value	C an..512	O an..512	Free text
4440	Free text value	C an..512	O an..512	Free text
4440	Free text value	C an..512	O an..512	Free text

Remark:

Position free text:
Additional information that may affect the item.

Example:

FTX+ZZZ+1++Freitext 1:Freitext 2:Freitext 3'
Free text information about the article

Tag = Object-Name
No. = Segment-Number in Guide
MaxOcc = Max. Occurrence of Segment/Group
Index = Index-Number of Segment/Group (in Standard)

St = Status
EDIFACT: M=Mandatory, C=Conditional
Usage: R=Required, O=Optional, D=Dependent, A=Advised,
N=Not used

Segments

Index No.	Tag	St	MaxOcc	Level	Description
0970	SG26	C	200000	1	Item position
1. Base unit (base article, assortment, container, set ...)					
1140 52	FTX	O	99	2	Regulatory information

		Standard	Implementation	
Name	Name	St Format	St Format	Usage / Remark
FTX				
4451	Text subject code qualifier	M an..3	R an..3	ABY Information for regulatory authority
4453	Free text function code	C an..3	R an..3	1 Text for subsequent use
C107	Text reference	C	R	
4441	Free text value code	M an..17	M an..17	Code of the regulation DDR EUDR
C108	Text literal	C	R	
4440	Free text value	M an..512	M an..512	Textmask DDR001 Fortlaufende Nummer der Komponente (nur im ersten Textfeld zulässig) Bereits registriert ? DDR002 DDS-Referenznummer DDR003 Verifizierungstoken Zulieferer für dieses Produkt DDR011 Zulieferer GLN DDR012 Zulieferer Land (ISO Code) DDR013 Zulieferer Name DDR014 Zulieferer Email DDR015 Zulieferer EORI Vor-Produkt DDR021 GTIN oder Zuliefererartikelnummer DDR022 Bezeichnung des Produkts DDR023 enthaltene Menge DDR024 Mengeneinheit DDR025 Zolltarifnummer DDR026 Herkunftsland für Ware Holz zusätzlich DDR041 Baumart lateinisch DDR042 Baumart Prosa Zertifikate (Dateien) DDR050 - Dateiname / URL DDR070
4440	Free text value	C an..512	C an..512	siehe erstes Textfeld
4440	Free text value	C an..512	C an..512	siehe erstes Textfeld
4440	Free text value	C an..512	C an..512	siehe erstes Textfeld
4440	Free text value	C an..512	C an..512	siehe erstes Textfeld

Remark:

For articles that are subject to regulatory or legal provisions, but for which no other reference (e.g. registration number) can be provided, further structured data can be provided here.
 Currently, only the EUDR Regulation is referred to here.

Example:

FTX+ABY+1+DDR+DDR0011:DDR00225DEJWHGNT7120:DDR003DDSV333'

Beginn der ersten EUDR-relevanten Komponente mit DDS-Referenznummer 25DEJWHGNT7120 und Verifizierungstoken DDSV333

Tag = Object-Name
 No. = Segment-Number in Guide
 MaxOcc = Max. Occurrence of Segment/Group
 Index = Index-Number of Segment/Group (in Standard)

St = Status
 EDIFACT: M=Mandatory, C=Conditional
 Usage: R=Required, O=Optional, D=Dependent, A=Advised,
 N=Not used

Segments

Index No.	Tag	St	MaxOcc	Level	Description
0970	SG26	C	200000	1	Item position 1. Base unit (base article, assortment, container, set ...)
1140 53	FTX	O	99	2	Regulatory Documentation

		Standard	Implementation	
Name	Name	St Format	St Format	Usage / Remark
FTX				
4451	Text subject code qualifier	M an..3	R an..3	DDR EUDR documentation
4453	Free text function code	C an..3	R an..3	1 Text for subsequent use
C107	Text reference	C	R	
4441	Free text value code	M an..17	M an..17	Filetype 50 PDF document
C108	Text literal	C	R	
4440	Free text value	M an..512	M an..512	URL Link to datasource
4440	Free text value	C an..512	C an..512	Contenttype-code DDR001 Logging permit
4440	Free text value	C an..512	C an..512	Description Freetext description of the file content

Remark:

Links to additional regulatory documentation

This segment may be subject to future changes

Example:

FTX+DDR+1+50+http://example.org/??file=HJSDdhadSjdsJD:DDR001:Einschlagsgenehmigung'

The logging permit is available as PDF at: <http://example.org/?file=HJSDdhadSjdsJD>

Tag = Object-Name
No. = Segment-Number in Guide
MaxOcc = Max. Occurence of Segment/Group
Index = Index-Number of Segment/Group (in Standard)

St = Status
EDIFACT: M=Mandatory, C=Conditional
Usage: R=Required, O=Optional, D=Dependent, A=Advised, N=Not used

Segments

Index No.	Tag	St	MaxOcc	Level	Description
0970	SG26	C	200000	1	Item position 1. Base unit (base article, assortment, container, set ...)
1140 54	FTX	O	99	2	Digital product passport / digital twin

Standard			Implementation	
Name	Name	St Format	St Format	Usage / Remark
FTX				
4451	Text subject code qualifier	M an..3	R an..3	DPP Digitale product passport DTW Digital twin
4453	Free text function code	C an..3	R an..3	1 Text for subsequent use
C107	Text reference	C	R	
4441	Free text value code	M an..17	M an..17	Filetype 100 Asset-ID of the digital representation
C108	Text literal	C	R	
4440	Free text value	M an..512	M an..512	Link-ID Link-ID to the Datasource

Remark:

Links to a digital product passport or a digital twin

This representation has been chosen provisionally and may be adjusted after the GS1 has decided on this topic.

Example:

FTX+DPP+1+100+http?://integrated?+worlds.com/furn?+x/aas/HU?+CA15018'

The asset-id of the digital product passport is <http://integrated+worlds.com/furn+x/aas/HU+CA15018>

Tag = Object-Name
No. = Segment-Number in Guide
MaxOcc = Max. Occurrence of Segment/Group
Index = Index-Number of Segment/Group (in Standard)

St = Status
EDIFACT: M=Mandatory, C=Conditional
Usage: R=Required, O=Optional, D=Dependent, A=Advised,
N=Not used

Segments

Index No.	Tag	St	MaxOcc	Level	Description
0970	SG26	C	200000	1	Item position
1. Base unit (base article, assortment, container, set ...)					
1270	SG30	D	1	2	Price indication / net price
1280 55	PRI	M	1	2	Net price

Standard			Implementation	
Name	Name	St Format	St Format	Usage / Remark
PRI				
C509	Price information	C	C	
5125	Price code qualifier	M an..3	M an..3	AAA Net price The price shown is the net price including all surcharges and discounts and excluding taxes. Surcharges/discounts may be indicated for information purposes only.
5118	Price amount	C n..15	R n..15	Net price including surcharges and discounts
5375	Price type code	C an..3	N	Not used
5387	Price specification code	C an..3	N	Not used
5284	Unit price basis value	C n..9	O n..9	Number of trading units the specified price applies to
6411	Measurement unit code	C an..3	O an..3	MTK square metre PCE Piece (GS1 Temporary Code) KGM kilogram MTR metre

Remark:

This segment is used to specify the item prices in a net price calculation.

ATTENTION: It is recommended not to use this type of price indication and to use gross price calculation instead. In a gross price calculation, list prices and discounts are shown so that a transparent calculation is possible. In a net calculation, all discounts are already included. Discounts may also be indicated here, but only for information purposes. The net price is the gross price +/- conditions based on the unit price base quantity. Unless a base quantity is specified, the price is per unit. It is recommended to indicate the single net price per unit here and to skip specifying a base quantity. Only one calculation method may be used in the invoice to determine the value of goods.

Example:

PRI+AAA:230.50'
The net price is 230.50 per piece

PRI+AAA:1240.90:::100:KGM
The net price is 1240.90 per 100 Kg.

Tag = Object-Name
No. = Segment-Number in Guide
MaxOcc = Max. Occurrence of Segment/Group
Index = Index-Number of Segment/Group (in Standard)

St = Status
EDIFACT: M=Mandatory, C=Conditional
Usage: R=Required, O=Optional, D=Dependent, A=Advised, N=Not used

Segments

Index No.	Tag	St	MaxOcc	Level	Description
0970	SG26	C	200000	1	Item position 1. Base unit (base article, assortment, container, set ...)
1270	SG30	D	1	2	Price indication / gross price
1280 56	PRI	M	1	2	Gross price

Standard			Implementation	
Name	Name	St Format	St Format	Usage / Remark
PRI				
C509	Price information	C	C	
5125	Price code qualifier	M an..3	M an..3	AAB Gross price
5118	Price amount	C n..15	C n..15	Gross price excluding surcharges and discounts
5375	Price type code	C an..3	N	Not used
5387	Price specification code	C an..3	N	Not used
5284	Unit price basis value	C n..9	C n..9	Number of trading units the specified price applies to
6411	Measurement unit code	C an..3	C an..3	MTK square metre PCE Piece (GS1 Temporary Code) KGM kilogram MTR metre

Remark:

The gross price is the price to which surcharges/discounts and taxes are added.
It is used in the invoice if no prior agreements have been made. All imputed surcharges/deductions must be indicated.
Only one calculation method may be used in the invoice to determine the value of goods.

Example:

PRI+AAB:4.79:::1:PCE'
The gross price is 4,79 per unit

PRI+AAA:1240.90:::100:KGM
The net price is 1240,90 per 100 Kg

Tag = Object-Name
No. = Segment-Number in Guide
MaxOcc = Max. Occurence of Segment/Group
Index = Index-Number of Segment/Group (in Standard)

St = Status
EDIFACT: M=Mandatory, C=Conditional
Usage: R=Required, O=Optional, D=Dependent, A=Advised,
N=Not used

Segments

Index No.	Tag	St	MaxOcc	Level	Description
0970	SG26	C	200000	1	Item position
1. Base unit (base article, assortment, container, set ...)					
1270	SG30	O	1	2	Recommended Retail Sales Price
1280 57	PRI	M	1	2	Sales price

Standard			Implementation	
Name	Name	St Format	St Format	Usage / Remark
PRI				
C509	Price information	C	R	
5125	Price code qualifier	M an..3	M an..3	AAE Sales price
5118	Price amount	C n..15	R n..15	Gross price excluding surcharges and discounts
5375	Price type code	C an..3	N	Not used
5387	Price specification code	C an..3	R an..3	SRP Suggested retail price
5284	Unit price basis value	C n..9	O n..9	Number of trading units the specified price applies to
6411	Measurement unit code	C an..3	O an..3	MTK square metre PCE Piece (GS1 Temporary Code) KGM kilogram MTR metre

Remark:

Recommended Retail Sales Price

Example:

PRI+AAE:799::SRP'

The recommended retail sales price of the item is 799.00 (tax included) per unit.

Tag = Object-Name
No. = Segment-Number in Guide
MaxOcc = Max. Occurrence of Segment/Group
Index = Index-Number of Segment/Group (in Standard)

St = Status
EDIFACT: M=Mandatory, C=Conditional
Usage: R=Required, O=Optional, D=Dependent, A=Advised,
N=Not used

Segments

Index No.	Tag	St	MaxOcc	Level	Description
0970	SG26	C	200000	1	Item position 1. Base unit (base article, assortment, container, set ...)
1330	SG31	O	9999	2	Reference / Order
1340 58	RFF	M	1	2	Order number

Standard			Implementation	
Name	Name	St Format	St Format	Usage / Remark
RFF				
C506	Reference	M	M	
1153	Reference code qualifier	M an..3	M an..3	ON Order number (buyer)
1154	Reference identifier	C an..70	R an..70	Document number of the sales order
1156	Document line identifier	C an..6	A an..6	Item number of the sales order

Remark:

Reference to the customer's order number and order item position.

Example:

RFF+ON:BE7732:1'

The item refers to item 1 of purchase order BE7732

Tag = Object-Name
 No. = Segment-Number in Guide
 MaxOcc = Max. Occurrence of Segment/Group
 Index = Index-Number of Segment/Group (in Standard)

St = Status
 EDIFACT: M=Mandatory, C=Conditional
 Usage: R=Required, O=Optional, D=Dependent, A=Advised,
 N=Not used

Segments

Index No.	Tag	St	MaxOcc	Level	Description
0970	SG26	C	200000	1	Item position
1. Base unit (base article, assortment, container, set ...)					
1330	SG31	O	9999	2	Reference / Order
1350 59	DTM	O	1	3	Date of order

Standard			Implementation	
Name	Name	St Format	St Format	Usage / Remark
DTM				
C507	Date/time/period	M	M	
2005	Date or time or period function code qualifier	M an..3	M an..3	171 Reference date/time
2380	Date or time or period value	C an..35	C an..35	Order date
2379	Date or time or period format code	C an..3	C an..3	102 CCYYMMDD

Remark:

Date of order:
Date when the order was created (DTM+137 of the order).

Example:

DTM+171:20180427:102 '
The date of the reference is 24.04.2018

Tag = Object-Name
No. = Segment-Number in Guide
MaxOcc = Max. Occurrence of Segment/Group
Index = Index-Number of Segment/Group (in Standard)

St = Status
EDIFACT: M=Mandatory, C=Conditional
Usage: R=Required, O=Optional, D=Dependent, A=Advised, N=Not used

Segments

Index No.	Tag	St	MaxOcc	Level	Description
0970	SG26	C	200000	1	Item position 1. Base unit (base article, assortment, container, set ...)
1330	SG31	O	9999	2	Other references Other references possible by bilateral agreement.
1340 60	RFF	M	1	2	Reference

Standard			Implementation	
Name	Name	St Format	St Format	Usage / Remark
RFF				
C506	Reference	M	M	
1153	Reference code qualifier	M an..3	M an..3	OP reference to the original customer order YB4 Commission number DDR EUDR Registration number DDV EUDR Verifikation token
1154	Reference identifier	C an..70	R an..70	Additional document reference related to current position
1156	Document line identifier	C an..6	C an..6	Position number of the current position in the referenced document

Remark:

Other references

Example:

RFF+YB4:OBJ2638'

The item refers to the commission OBJ2638

Tag = Object-Name
 No. = Segment-Number in Guide
 MaxOcc = Max. Occurence of Segment/Group
 Index = Index-Number of Segment/Group (in Standard)

St = Status
 EDIFACT: M=Mandatory, C=Conditional
 Usage: R=Required, O=Optional, D=Dependent, A=Advised,
 N=Not used

Segments

Index No.	Tag	St	MaxOcc	Level	Description
0970	SG26	C	200000	1	Item position 1. Base unit (base article, assortment, container, set ...)
1330	SG31	O	9999	2	Other references Other references possible by bilateral agreement.
1350 61	DTM	C	5	3	Date/time/period

Standard			Implementation	
Name	Name	St Format	St Format	Usage / Remark
DTM				
C507	Date/time/period	M	M	
2005	Date or time or period function code qualifier	M an..3	M an..3	171 Reference date/time
2380	Date or time or period value	C an..35	C an..35	Document date of the referenced document
2379	Date or time or period format code	C an..3	C an..3	102 CCYYMMDD

Remark:

Document date of the referenced document

Example:

DTM+171:20180131:102'

Tag = Object-Name
 No. = Segment-Number in Guide
 MaxOcc = Max. Occurrence of Segment/Group
 Index = Index-Number of Segment/Group (in Standard)

St = Status
 EDIFACT: M=Mandatory, C=Conditional
 Usage: R=Required, O=Optional, D=Dependent, A=Advised, N=Not used

Segments

Index No.	Tag	St	MaxOcc	Level	Description
0970	SG26	C	200000	1	Item position 1. Base unit (base article, assortment, container, set ...)
1360	SG32	O	99	2	Number and type of packaging
1370 62	PAC	M	1	2	Package

Standard			Implementation	
Name	Name	St Format	St Format	Usage / Remark
PAC				
7224	Package quantity	C n..8	C n..8	Package quantity
C531	Packaging details	C	N	
7075	Packaging level code	C an..3	N	Not used
C202	Package type	C	C	
7065	Package type description code	C an..17	R an..17	200 Pallet ISO 0 - 1/2 EURO Pallet (GS1 Temporary Code) 201 Pallet ISO 1 - 1/1 EURO Pallet (GS1 Temporary Code) PC Parcel CT Carton

Remark:

Number and type of packaging

Example:

PAC+3++201'

The position consists of 3 Euro-Pallets

Tag = Object-Name
 No. = Segment-Number in Guide
 MaxOcc = Max. Occurence of Segment/Group
 Index = Index-Number of Segment/Group (in Standard)

St = Status
 EDIFACT: M=Mandatory, C=Conditional
 Usage: R=Required, O=Optional, D=Dependent, A=Advised,
 N=Not used

Segments

Index No.	Tag	St	MaxOcc	Level	Description
0970	SG26	C	200000	1	Item position 1. Base unit (base article, assortment, container, set ...)
1360	SG32	O	99	2	Number and type of packaging
1380 63	MEA	C	5	3	Measurements

Standard			Implementation	
Name	Name	St Format	St Format	Usage / Remark
MEA				
6311	Measurement purpose code qualifier	M an..3	M an..3	AAE Measurement PD Physical dimensions (product ordered)
C502	Measurement details	C	C	
6313	Measured attribute code	C an..3	C an..3	AAA Unit net weight AAB Unit gross weight AAF Net weight of one unit without packaging ABJ Volume DP Depth HT Height dimension LN Length dimension WD Width dimension DI Diameter
C174	Value/range	C	C	
6411	Measurement unit code	M an..3	M an..3	MMT millimetre CMT centimetre MTR metre KGM kilogram MTQ cubic metre
6314	Measurement value	C an..18	C an..18	Dimension of the package

Remark:
Dimensions of the packaging

Example:
MEA+AAE+AAB+KGM: 500 '
The gross weight of the packages is 500Kg

Tag = Object-Name
No. = Segment-Number in Guide
MaxOcc = Max. Occurence of Segment/Group
Index = Index-Number of Segment/Group (in Standard)

St = Status
EDIFACT: M=Mandatory, C=Conditional
Usage: R=Required, O=Optional, D=Dependent, A=Advised, N=Not used

Segments

Index No.	Tag	St	MaxOcc	Level	Description
0970	SG26	C	200000	1	Item position 1. Base unit (base article, assortment, container, set ...)
1360	SG32	O	99	2	Number and type of packaging
1440	SG34	=	99	3	Package identification
1450 64	PCI	M	1	3	Package identification

Standard			Implementation	
Name	Name	St Format	St Format	Usage / Remark
PCI				
4233	Marking instructions code	C an..3	C an..3	33E Marked with serial shipping container code (GS1 Temporary Code)

Remark:

Indication that the NVE (SSCC) is used.

Example:

PCI+33E'

The packages are flagged with a NVE/SSCC.

Tag = Object-Name
 No. = Segment-Number in Guide
 MaxOcc = Max. Occurrence of Segment/Group
 Index = Index-Number of Segment/Group (in Standard)

St = Status
 EDIFACT: M=Mandatory, C=Conditional
 Usage: R=Required, O=Optional, D=Dependent, A=Advised, N=Not used

Segments

Index No.	Tag	St	MaxOcc	Level	Description
0970	SG26	C	200000	1	Item position 1. Base unit (base article, assortment, container, set ...)
1360	SG32	O	99	2	Number and type of packaging
1440	SG34	=	99	3	Package identification
1480 65	GIN	R	99	4	Shipment number(s)

Standard			Implementation	
Name	Name	St Format	St Format	Usage / Remark
GIN				
7405	Object identification code qualifier	M an..3	M an..3	AW Serial shipping container code BJ Shipment number
C208	Identity number range	M	M	
7402	Object identifier	M an..35	M an..35	Identification number of the shipping unit

Remark:

Tracking number or NVE/SSCC

Example:

GIN+AW+435567299345621231'

The Serial Shipping Container Code (SSCC) for the package is 435567299345621231

Tag = Object-Name
No. = Segment-Number in Guide
MaxOcc = Max. Occurrence of Segment/Group
Index = Index-Number of Segment/Group (in Standard)

St = Status
EDIFACT: M=Mandatory, C=Conditional
Usage: R=Required, O=Optional, D=Dependent, A=Advised,
N=Not used

Segments

Index No.	Tag	St	MaxOcc	Level	Description
0970	SG26	C	200000	1	Item position 1. Base unit (base article, assortment, container, set ...)
1710	SG41	O	99	2	Surcharges and discounts of the position
1720 66	ALC	M	1	2	Allowance or charge

Standard			Implementation	
Name	Name	St Format	St Format	Usage / Remark
ALC				
5463	Allowance or charge code qualifier	M an..3	M an..3	A Allowance C Charge
C552	Allowance/charge information	C	N	
1230	Allowance or charge identifier	C an..35	N	Not used
4471	Settlement means code	C an..3	N	Not used
1227	Calculation sequence code	C an..3	R an..3	Order in which the discounts are applied to the amount. 1 First step of calculation 2 Second step of calculation 3 Third step of calculation 4 Fourth step of calculation 5 Fifth step of calculation 6 Sixth step of calculation
C214	Special services identification	C	C	
7161	Special service description code	C an..3	R an..3	Type of surcharge or discount (coded) DI Discount IN Insurance FC Freight charge PC Packing MC Material surcharge (special materials) CAI Cutting charge
1131	Code list identification code	C an..17	N	Not used
3055	Code list responsible agency code	C an..3	R an..3	9 GS1
7160	Special service description	C an..35	O an..35	Description of the surcharge or discount

Remark:

Description of the surcharge or discount:
E.g. promotional discount, freight charges, packing charges, etc.

Example:

ALC+A+++1+DI::Frühlingsrabatt'
This item is discounted.

Tag = Object-Name
No. = Segment-Number in Guide
MaxOcc = Max. Occurence of Segment/Group
Index = Index-Number of Segment/Group (in Standard)

St = Status
EDIFACT: M=Mandatory, C=Conditional
Usage: R=Required, O=Optional, D=Dependent, A=Advised, N=Not used

Segments

Index No.	Tag	St	MaxOcc	Level	Description
0970	SG26	C	200000	1	Item position
1. Base unit (base article, assortment, container, set ...)					
1710	SG41	O	99	2	Surcharges and discounts of the position
1780	SG43	C	1	3	Percentage
1790 67	PCD	M	1	3	Percentage value

Standard			Implementation	
Name	Name	St Format	St Format	Usage / Remark
PCD				
C501	Percentage details	M	M	
5245	Percentage type code qualifier	M an..3	M an..3	3 Allowance or charge
5482	Percentage	C n..10	C n..10	Percentage of the surcharge or discount

Remark:

Percentage of surcharge or discount:
Specifies the percentage value of the surcharge or discount.

Example:

PCD+3:5'
The surcharge or discount is 5%

Tag = Object-Name
No. = Segment-Number in Guide
MaxOcc = Max. Occurrence of Segment/Group
Index = Index-Number of Segment/Group (in Standard)

St = Status
EDIFACT: M=Mandatory, C=Conditional
Usage: R=Required, O=Optional, D=Dependent, A=Advised, N=Not used

Segments

Index No.	Tag	St	MaxOcc	Level	Description
0970	SG26	C	200000	1	Item position 1. Base unit (base article, assortment, container, set ...)
1710	SG41	O	99	2	Surcharges and discounts of the position
1810	SG44	R	1	3	Monetary amount
1820 68	MOA	M	1	3	Monetary amount

Standard			Implementation	
Name	Name	St Format	St Format	Usage / Remark
MOA				
C516	Monetary amount	M	M	
5025	Monetary amount type code qualifier	M an..3	M an..3	8 Allowance or charge amount
5004	Monetary amount	C n..35	R n..35	Monetary Amount Amount of the surcharge or discount
6345	Currency identification code	C an..3	R an..3	EUR Euro

Remark:

Amount of the surcharge or discount:
Specifies the amount of the surcharge or discount.

Example:

MOA+8:10.22:EUR'

The surcharge or discount amount is 10.22 EUR

Tag = Object-Name
No. = Segment-Number in Guide
MaxOcc = Max. Occurrence of Segment/Group
Index = Index-Number of Segment/Group (in Standard)

St = Status
EDIFACT: M=Mandatory, C=Conditional
Usage: R=Required, O=Optional, D=Dependent, A=Advised,
N=Not used

Segments

Index No.	Tag	St	MaxOcc	Level	Description
0970	SG26	O	200000	1	Option (Feature)
2. Option of a base article (feature) This segment group is used to represent variants (features).					
0980 69	LIN	M	1	1	Option / Feature

Standard			Implementation	
Name	Name	St Format	St Format	Usage / Remark
LIN				
1082	Line item identifier	C an..6	R an..6	
1229	Action request/notification description code	C an..3	N	Not used
C212	Item number identification	C	A	
7140	Item identifier	C an..35	R an..35	Vendor ID of the feature
7143	Item type identification code	C an..3	R an..3	SA Supplier's article number
C829	Sub-line information	C	R	
5495	Sub-line indicator code	C an..3	R an..3	1 Sub-line information
1082	Line item identifier	C an..6	R an..6	item number of the main article to which this option is assigned

Remark:

This segment group is used to represent an option (feature) of a product.
 An option represents a single variable article characteristic of a base article (variant article).

Example:

The variant article "Schlafsofa Holle" (ArtNo: 7632-231) is offered with different fabric covers (e.g. linen fabric natural).
 The article thus has a "Stoffbezug"(Fabric Cover) option (ID: BZS) which can have different option values, e.g. "Leinenstoff natur"(linen fabric natural) (ID: LEINN).

The options and option values of a base item are represented as sub-items.
 The respective option represents a sub-item of the base item, the option value represents a sub-item of the option.
 The base item can have multiple options, but each option can have only a single option value.

Sub-items are identified on the one hand by flagging them as a sub-item (field 5495, value "1")
 on the other hand by the reference to the corresponding base article. The reference is made via the field C829.1082 that contains the position number of the base article (field 1082).

The following additional flaggings must be made for the mapping of the options:

- Flagged as base article (IMD+C++BA).
- Flagged as option (IMD+C++OP)
- Flagged as option value (IMD+C++OPV).

Each option and option value can have one or more identification numbers in addition to the name (PIA segments).

Example:

LIN+11++12345:SA+1:1'

The Item 11 (with manufacturer's number "BZS") is a subposition of Item 10.

```
LIN+10++7632-231:SA
IMD+A++::Schlafsofa Holle
IMD+C++BA
LIN+11++BZS:SA+1:10
IMD+C++OP
IMD+A++::Bezugsstoff
LIN+12++LEINN:SA+1:11
IMD+C++OPV
IMD+A++::Leinenstoff natur
```

Item number 10 : "Schlafsofa Holle" (manufacturer's ref. 7632-231), flagged as base article (BA).

Tag = Object-Name No. = Segment-Number in Guide MaxOcc = Max. Occurence of Segment/Group Index = Index-Number of Segment/Group (in Standard)	St = Status EDIFACT: M=Mandatory, C=Conditional Usage: R=Required, O=Optional, D=Dependent, A=Advised, N=Not used
---	--

Segments

Item 11: subposition of item 10, flagged as an option/feature with the name "Bezugsstoff" (ID: BZS).

Item 12: subposition of item 11, flagged as an option value with the value "Leinenstoff natur" (ID: LEINN)

LIN+10++7630-SET-C:SA
 IMD+A++:::Sitzgarnitur Custom Dream
 QTY+21:1:EA
 MOA+203:999:EUR
 PRI+AAA+999:::1:PCE
 LIN+20++7630-003:SA+1:10
 IMD+A++:::3-Sitzer Dream
 IMD+C++BA
 QTY+21:1:PCE
 LIN+21+++1:20
 IMD+A++:::Ausfuehrung Fuss
 IMD+C++OP
 LIN+22+++1:21
 IMD+A++:::Helsinki
 IMD+C++OPV
 LIN+30++7630-001:SA+1:10
 IMD+A++:::1-Sitzer Dream
 QTY+21:2:PCE

A seating set (ArtNo.: 7630-SET-C) for the price of 999,00 EUR consisting of one configurable 3-seater (design foot: Helsinki) and two 1-seater (not configurable)

Tag = Object-Name
 No. = Segment-Number in Guide
 MaxOcc = Max. Occurence of Segment/Group
 Index = Index-Number of Segment/Group (in Standard)

St = Status
 EDIFACT: M=Mandatory, C=Conditional
 Usage: R=Required, O=Optional, D=Dependent, A=Advised,
 N=Not used

Segments

Index No.	Tag	St	MaxOcc	Level	Description
0970	SG26	O	200000	1	Option (Feature) 2. Option of a base article (feature) This segment group is used to represent variants (features).
0990 70	PIA	O	25	2	Additional product id

Standard			Implementation	
Name	Name	St Format	St Format	Usage / Remark
PIA				
4347	Product identifier code qualifier	M an..3	R an..3	1 Additional identification
C212	Item number identification	M	M	
7140	Item identifier	C an..35	R an..35	GTIN or customer Id of the feature
7143	Item type identification code	C an..3	C an..3	SRV GS1 Global Trade Item Number IN Buyer's item number

Remark:

Additional identification numbers of the feature e.g.: GTIN or customer ID

Example:

PIA+1+4388726364127:SRV'

The GTIN of the option is 4388726364127

Tag = Object-Name
 No. = Segment-Number in Guide
 MaxOcc = Max. Occurrence of Segment/Group
 Index = Index-Number of Segment/Group (in Standard)

St = Status
 EDIFACT: M=Mandatory, C=Conditional
 Usage: R=Required, O=Optional, D=Dependent, A=Advised,
 N=Not used

Segments

Index No.	Tag	St	MaxOcc	Level	Description
0970	SG26	O	200000	1	Option (Feature)
2. Option of a base article (feature) This segment group is used to represent variants (features).					
1000 71	IMD	R	1	2	Option (flag)

Standard			Implementation	
Name	Name	St Format	St Format	Usage / Remark
IMD				
7077	Description format code	C an..3	C an..3	C Code (from industry code list)
C272	Item characteristic	C	N	
7081	Item characteristic code	C an..3	N	Not used
C273	Item description	C	C	
7009	Item description code	C an..17	C an..17	OP Option

Remark:

Segment identifies position as option/feature.

Example:

IMD+C++OP'

The item position is flagged as an option/feature.

Tag = Object-Name
 No. = Segment-Number in Guide
 MaxOcc = Max. Occurrence of Segment/Group
 Index = Index-Number of Segment/Group (in Standard)

St = Status
 EDIFACT: M=Mandatory, C=Conditional
 Usage: R=Required, O=Optional, D=Dependent, A=Advised,
 N=Not used

Segments

Index No.	Tag	St	MaxOcc	Level	Description
0970	SG26	O	200000	1	Option (Feature)
2. Option of a base article (feature) This segment group is used to represent variants (features).					
1000 72	IMD	A	1	2	Option name

		Standard	Implementation	
Name	Name	St Format	St Format	Usage / Remark
IMD				
7077	Description format code	C an..3	R an..3	F Option name
C272	Item characteristic	C	N	
7081	Item characteristic code	C an..3	N	Not used
C273	Item description	C	R	
7009	Item description code	C an..17	N	Not used
1131	Code list identification code	C an..17	N	Not used
3055	Code list responsible agency code	C an..3	N	Not used
7008	Item description	C an..256	R an..256	Option name

Remark:

Segment contains the name of the option

Example:

IMD+F++:::Bezugsstoff'

The name of the option is "Bezugsstoff"

Tag = Object-Name
 No. = Segment-Number in Guide
 MaxOcc = Max. Occurence of Segment/Group
 Index = Index-Number of Segment/Group (in Standard)

St = Status
 EDIFACT: M=Mandatory, C=Conditional
 Usage: R=Required, O=Optional, D=Dependent, A=Advised,
 N=Not used

Segments

Index No.	Tag	St	MaxOcc	Level	Description
0970	SG26	O	200000	1	Option value
3. Option value of an option This segment group is used to represent variants (option).					
0980 73	LIN	M	1	1	Option value

		Standard	Implementation	
Name	Name	St Format	St Format	Usage / Remark
LIN				
1082	Line item identifier	C an..6	R an..6	
1229	Action request/notification description code	C an..3	N	Not used
C212	Item number identification	C	O	
7140	Item identifier	C an..35	R an..35	Vendor ID of the option
7143	Item type identification code	C an..3	R an..3	SA Supplier's article number
C829	Sub-line information	C	R	
5495	Sub-line indicator code	C an..3	R an..3	1 Sub-line information
1082	Line item identifier	C an..6	R an..6	Position number of the option to which this option value is assigned

Remark:

This segment group is used to represent variants (option).
 Only one option value is allowed per option.
 Contains the position number and the supplier Id of the option incl. the reference to the parent position.

Example:

LIN+12++LINN:SA+1:11 '
 Item No. 12 (Manufacturer No.: LINN) is a subposition of item No. 11

Tag = Object-Name
 No. = Segment-Number in Guide
 MaxOcc = Max. Occurrence of Segment/Group
 Index = Index-Number of Segment/Group (in Standard)

St = Status
 EDIFACT: M=Mandatory, C=Conditional
 Usage: R=Required, O=Optional, D=Dependent, A=Advised,
 N=Not used

Segments

Index No.	Tag	St	MaxOcc	Level	Description
0970	SG26	O	200000	1	Option value
3. Option value of an option This segment group is used to represent variants (option).					
0990 74	PIA	C	25	2	Additional product id

Standard			Implementation	
Name	Name	St Format	St Format	Usage / Remark
PIA				
4347	Product identifier code qualifier	M an..3	M an..3	1 Additional identification
C212	Item number identification	M	M	
7140	Item identifier	C an..35	O an..35	Additional identification numbers of the option e.g.: GTIN or customer ID
7143	Item type identification code	C an..3	C an..3	SRV GS1 Global Trade Item Number IN Buyer's item number

Remark:
Manufacturer article number

Example:
PIA+1+654321:IN'

Tag = Object-Name
 No. = Segment-Number in Guide
 MaxOcc = Max. Occurrence of Segment/Group
 Index = Index-Number of Segment/Group (in Standard)

St = Status
 EDIFACT: M=Mandatory, C=Conditional
 Usage: R=Required, O=Optional, D=Dependent, A=Advised,
 N=Not used

Segments

Index No.	Tag	St	MaxOcc	Level	Description
0970	SG26	O	200000	1	Option value
3. Option value of an option This segment group is used to represent variants (option).					
1000 75	IMD	R	99	2	Option value (flag)

		Standard	Implementation	
Name	Name	St Format	St Format	Usage / Remark
IMD				
7077	Description format code	C an..3	R an..3	C Code (from industry code list)
C272	Item characteristic	C	N	
7081	Item characteristic code	C an..3	N	Not used
C273	Item description	C	R	
7009	Item description code	C an..17	R an..17	OPV Option

Remark:

Segment identifies position as option value.

Example:

IMD+C++OPV'

The item position is flagged as option value

Tag = Object-Name
 No. = Segment-Number in Guide
 MaxOcc = Max. Occurrence of Segment/Group
 Index = Index-Number of Segment/Group (in Standard)

St = Status
 EDIFACT: M=Mandatory, C=Conditional
 Usage: R=Required, O=Optional, D=Dependent, A=Advised,
 N=Not used

Segments

Index No.	Tag	St	MaxOcc	Level	Description
0970	SG26	O	200000	1	Option value
3. Option value of an option This segment group is used to represent variants (option).					
1000 76	IMD	A	99	2	Name of the option value

		Standard	Implementation	
Name	Name	St Format	St Format	Usage / Remark
	IMD			
7077	Description format code	C an..3	R an..3	F Name of the option value
C272	Item characteristic	C	N	
7081	Item characteristic code	C an..3	N	Not used
C273	Item description	C	R	
7009	Item description code	C an..17	N	Not used
1131	Code list identification code	C an..17	N	Not used
3055	Code list responsible agency code	C an..3	N	Not used
7008	Item description	C an..256	R an..256	Name of the option value Name of the option value

Remark:
segment contains the name of the option

Example:
 IMD+F++:::Gobelin Blumenmuster '
 The option value name is "Gobelin Blumenmuster"

Tag = Object-Name
 No. = Segment-Number in Guide
 MaxOcc = Max. Occurence of Segment/Group
 Index = Index-Number of Segment/Group (in Standard)

St = Status
 EDIFACT: M=Mandatory, C=Conditional
 Usage: R=Required, O=Optional, D=Dependent, A=Advised,
 N=Not used

Segments

Index No.	Tag	St	MaxOcc	Level	Description
0970	SG26	O	200000	1	Subposition of an assortment
4. Subposition of a set, display or container					
0980 77	LIN	M	1	1	Line item

Standard			Implementation	
Name	Name	St Format	St Format	Usage / Remark
LIN				
1082	Line item identifier	C an..6	R an..6	position number
1229	Action request/notification description code	C an..3	N	Not used
C212	Item number identification	C	A	
7140	Item identifier	C an..35	R an..35	GTIN of the item
7143	Item type identification code	C an..3	R an..3	SRV GS1 Global Trade Item Number
C829	Sub-line information	C	R	
5495	Sub-line indicator code	C an..3	R an..3	1 Sub-line information
1082	Line item identifier	C an..6	R an..6	position number of the parent position

Remark:

This segment group is used to represent assortment contents.

This also includes sets, displays and containers.

In contrast to the representation of an configurable item, the flaging of the main article is not necessarily required here.

In principle, all assortment contents are presented as main articles with several sub-items.

In principle, sub-items can contain all segments that are also used for a standard items or the main item.

Make sure that only all billable items have a total item value (MOA+203) specified.

General rule:

Adding up all the total item values gives the total goods value of the invoice,

i.e. sub-items may not have item amounts that are already included in the main item.

However, it is allowed to specify item amounts in main and sub-items where it makes sense to do so

(e.g.: for sub-items that represent a surcharge which are not included in the main item).

Contains the position number and the GTIN of the position incl. the reference to the parent position.

Example:

LIN+21++4312345678910:SRV+1:20'

heading 21 with GTIN 4312345678910 is a subposition of position 20

```

LIN+10++7630-SET:SA
IMD+A+:::Sitzgarnitur Dream
QTY+21:1:EA
MOA+203:999:EUR
PRI+AAA+999:::1:PCE
LIN+20++7630-003:SA+1:10
IMD+A+:::3-Sitzer Dream
QTY+21:1:PCE
LIN+30++7630-001:SA+1:10
IMD+A+:::1-Sitzer Dream
QTY+21:2:PCE
    
```

A set of seats (ArtNr.: 7630-SET) for the price of 999,00 EUR consisting of one 3-seater and two 1-seater.

```

LIN+10++7630-SET-C:SA
IMD+A+:::Sitzgarnitur Custom Dream
QTY+21:1:EA
MOA+203:999:EUR
PRI+AAA+999:::1:PCE
LIN+20++7630-003:SA+1:10
    
```

Tag = Object-Name
 No. = Segment-Number in Guide
 MaxOcc = Max. Occurence of Segment/Group
 Index = Index-Number of Segment/Group (in Standard)

St = Status
 EDIFACT: M=Mandatory, C=Conditional
 Usage: R=Required, O=Optional, D=Dependent, A=Advised,
 N=Not used

Segments

IMD+A++:::3-Sitzer Dream
 IMD+C++BA
 QTY+21:1:PCE
 LIN+21+++1:20
 IMD+A++:::Ausfuehrung Fuss
 IMD+C++OP
 LIN+22+++1:21
 IMD+A++:::Helsinki
 IMD+C++OPV
 LIN+30++7630-001:SA+1:10
 IMD+A++:::1-Sitzer Dream
 QTY+21:2:PCE

A seating set (ArtNo.: 7630-SET-C) for the price of 999,00 EUR consisting of one configurable 3-seater (foot design: Helsinki) and two 1-seater (not configurable)

Tag = Object-Name
 No. = Segment-Number in Guide
 MaxOcc = Max. Occurence of Segment/Group
 Index = Index-Number of Segment/Group (in Standard)

St = Status
 EDIFACT: M=Mandatory, C=Conditional
 Usage: R=Required, O=Optional, D=Dependent, A=Advised,
 N=Not used

Segments

Index No.	Tag	St	MaxOcc	Level	Description
0970	SG26	O	200000	1	Subposition of an assortment
4. Subposition of a set, display or container					
1000 78	IMD	O	99	2	Consumer unit (flag)

		Standard	Implementation	
Name	Name	St Format	St Format	Usage / Remark
IMD				
7077	Description format code	C an..3	C an..3	C Code (from industry code list)
C272	Item characteristic	C	N	
7081	Item characteristic code	C an..3	N	Not used
C273	Item description	C	C	
7009	Item description code	C an..17	C an..17	CU Consumer unit (GS1 Permanent Code) The article is a consumer unit for a higher-level assortment unit.

Remark:

Whether it is a consumer unit, for example.

Example:

IMD+C++CU'

The item is a consumer unit.

Tag = Object-Name
 No. = Segment-Number in Guide
 MaxOcc = Max. Occurence of Segment/Group
 Index = Index-Number of Segment/Group (in Standard)

St = Status
 EDIFACT: M=Mandatory, C=Conditional
 Usage: R=Required, O=Optional, D=Dependent, A=Advised,
 N=Not used

Segments

Index	No.	Tag	St	MaxOcc	Level	Description
2200	79	UNS	M	1	0	Section control

Standard			Implementation	
Name	Name	St Format	St Format	Usage / Remark
UNS				
0081	Section identification	M a1	M a1	S Detail/summary section separation

Remark:
Summary Segment

Example:
UNS+S'

Tag = Object-Name
 No. = Segment-Number in Guide
 MaxOcc = Max. Occurence of Segment/Group
 Index = Index-Number of Segment/Group (in Standard)

St = Status
 EDIFACT: M=Mandatory, C=Conditional
 Usage: R=Required, O=Optional, D=Dependent, A=Advised,
 N=Not used

Segments

Index No.	Tag	St	MaxOcc	Level	Description
-----------	-----	----	--------	-------	-------------

Message footer summary part

2210	80	MOA	C	12	1	Total amount
------	----	------------	---	----	---	--------------

			Standard	Implementation	
Name	Name	St Format	St Format	Usage / Remark	
MOA					
C516	Monetary amount	M	M		
5025	Monetary amount type code qualifier	M an..3	M an..3		79 Total line items amount 86 Message total monetary amount 124 Tax amount 125 Taxable amount 131 Total charges/allowances
5004	Monetary amount	C n..35	R n..35	Amount of the document over all tax rates	
6345	Currency identification code	C an..3	R an..3		EUR Euro

Remark:

Amounts at document level

This can contain, for example, the total amount of the item or the total amount of the document.

Example:

MOA+79:822.88:EUR'

The total position amount is 822.88 EUR

Tag = Object-Name
 No. = Segment-Number in Guide
 MaxOcc = Max. Occurrence of Segment/Group
 Index = Index-Number of Segment/Group (in Standard)

St = Status
 EDIFACT: M=Mandatory, C=Conditional
 Usage: R=Required, O=Optional, D=Dependent, A=Advised,
 N=Not used

Segments

Index	No.	Tag	St	MaxOcc	Level	Description
2270	81	UNT	M	1	0	Message trailer

Standard			Implementation	
Name	Name	St Format	St Format	Usage / Remark
UNT				
0074	Number of segments in the message	M n..6	M n..6	Number of segments
0062	Message reference number	M an..14	M an..14	Unique message reference of the sender. Identical to DE 0062 in UNH.

Remark:
Segment counter

Example:
UNT+72+1'
The document consists of 72 segments

Tag = Object-Name
No. = Segment-Number in Guide
MaxOcc = Max. Occurence of Segment/Group
Index = Index-Number of Segment/Group (in Standard)

St = Status
EDIFACT: M=Mandatory, C=Conditional
Usage: R=Required, O=Optional, D=Dependent, A=Advised, N=Not used

Segments

Index No.	Tag	St	MaxOcc	Level	Description
0000 82	UNZ	M	1	0	Interchange trailer

Standard			Implementation	
Name	Name	St Format	St Format	Usage / Remark
UNZ				
0036	Interchange control count	M n..6	M n..6	Document number
0020	Interchange control reference	M an..14	M an..14	Unique data exchange reference number (file counter). Corresponds to the specification in UNB 0020.

Remark:

Example:

UNZ+1+3245781'

The message contains 1 document.

Tag = Object-Name
 No. = Segment-Number in Guide
 MaxOcc = Max. Occurrence of Segment/Group
 Index = Index-Number of Segment/Group (in Standard)

St = Status
 EDIFACT: M=Mandatory, C=Conditional
 Usage: R=Required, O=Optional, D=Dependent, A=Advised,
 N=Not used

Example

No.	Name	Example
1	UNA	UNA:+.? '
2	UNB	UNB+UNOC:3+4041116000009:14+4399901793453:14:4139916000005+180428:1018+3245781++++DCC-FURN-V1.1' The sender of the message is 4041116000009, the recipient is 4399901793453. The message was created on 28.04.2018 at 10:18h and has the unique message reference number 3245781.
Message header		
3	UNH	UNH+1+ORDRSP:D:01B:UN:EAN010' This message is an Edifact ORDRSP.
4	BGM	BGM+231+AB12345+2' This document is a purchase order response with document number AB12345.
5	DTM	DTM+137:20180428:102' The document was created on 28.04.2018.
6	DTM	DTM+2:20180502:102' The requested delivery date is 02.05.2018
7	DTM	DTM+76:20180502:102' The planned delivery date is 02.05.2018
8	DTM	DTM+69:20180502:102' The promised delivery date is 02.05.2018
9	DTM	DTM+743:201805011300:203' Order changes can be considered until 01.05.2018 13:00h.
10	DTM	DTM+79:20190502:102' The confirmed shipping date is 02.05.2019
11	ALI	ALI+++X1+000' No subsequent delivery will be accepted for partial delivery. It is a "standard warehouse order" ALI+++X2+220 This is a sample order (exhibition/placement). Partial deliveries are accepted. ALI+++144 Order is to be delivered completely (no partial delivery desired)
12	FTX	FTX+AAI+1++Wir danken für Ihren Auftrag:Freitext 2:Freitext 3:Freitext 4:Freitext 5' General free text information about the document.
13	FTX	FTX+MUL+1+PDF+Packzettel.pdf' There is a packing slip attached in PDF format; filename: Packzettel.pdf. FTX+MUL+1+PDF+GRD2873.pdf+Grundriss+Grundrissplan aus Planungssystem There is a floor plan attached with the file name GRD2873.pdf
SG1		
14	RFF	RFF+ON:BE123456' The document number of the purchase order to which this purchase order response refers is BE123456
15	DTM	DTM+171:20180115:102'
SG1		
16	RFF	RFF+YB4:123456' The commission number is OBJ2638
SG1		

No. = Segment-Number in Guide

Example

No.	Name	Example
17	RFF	RFF+ABO:DAB376U' The unique barcode number/document archive number is DAB376U.
SG1		
18	RFF	RFF+OP:627482345672' The Furncloud-ID is 5263728276 RFF+ATS:FCID5263728276 RFF+ATS:FSC FSC-C123456' The FSC-Certificatenummer is FSC-C123456 The original sales order number (e.g. order number from online store) is 627482345672
19	DTM	DTM+171:20180131:102' The document date of the reference document is 31.01.2018
SG3		
20	NAD	NAD+BY+8765432123456::9' The GLN of the buyer is 8765432123456 NAD+DP++Hans Meyer+Musterstraße 1+Musterstadt+77777+DE' The shipping address is: Hans Meyer Sample street 1 77777 Sample city Germany
SG4		
21	RFF	RFF+VA:DE4324789142' The VAT-ID of the party concerned is DE4324789142
SG4		
22	RFF	RFF+FC:12345-131312' The tax number of the party is 12345-131312.
SG4		
23	RFF	RFF+AGB:832637' The customer number at the central regulator is 832637
SG4		
24	RFF	RFF+CT:VAB-938/18' The contract number is VAB-938/18
SG4		
25	RFF	RFF+IT:KD98234' The customer number is KD98234
SG6		
26	CTA	CTA+MGR+EK:Einkauf' Contact person is the purchasing manager CTA+MC+DW:Dietmar Weber' The contact person for questions regarding the EUDR is Mr. Weber
27	COM	COM+0711/1234567:TE' The phone number is 0711/1234567 CTA+MC+DW:Dietmar Weber' COM+Dietmar.Weber@IWOfurn.com:EM' The email address of the EUDR responsible contact is Dietmar.Weber@IWOfurn.com
SG8		
28	CUX	CUX+2:EUR' All amounts are in EURO (unless stated otherwise).

Example

No.	Name	Example
SG13		
29	PAC	PAC+9++201 ' The delivery will consist of 9 EURO pallets.
30	MEA	MEA+PD+AAD+KGM:1500 ' The gross weight of the shipment is 1500Kg
SG19		
31	ALC	ALC+A+++1+DI::Frühlingsrabatt. ' PCD+3:5 MOA+8:10.22:EUR A spring discount of 10.22 EUR (5%) will be applied.
SG21		
32	PCD	PCD+3:5 ' The surcharge or discount is 5%.
SG22		
33	MOA	MOA+8:10.22:EUR ' The surcharge or discount amount is 10.22 EUR
1. Base unit (base article, assortment, container, set ...)		
SG26		
34	LIN	LIN+1++4312345678910:SRV ' The item position 1 has the GTIN 4312345678910
35	PIA	PIA+1+12345:SA ' The manufacturer part number is 12345
36	PIA	PIA+1+94016100999:HS ' The customs tariff number is 94016100999 PIA+1+23-2024:NB The Batch number is 23-2024
37	PIA	PIA+1+HOLLE:GB::91 ' The program is HOLLE
38	PIA	PIA+1+0173-1#02-AAX608#001:EC::STQ ' The eClass Classification is "0173-1#02-AAX608#001" PIA+1+0173-1#02-AAX637#001:ECC::STQ+0173-1#07-AAA363#003:ECV::STQ ' The eClass Characteristic "0173-1#02-AAX637#001" has the value "0173-1#07-AAA363#003"
39	IMD	IMD+F++::Funktions-Sofa Holle:Holle Schlafsofa ' The supplier/invoicing party's item name is "Funktions-Sofa Holle", and the item's name used by the buyer is "Holle Schlafsofa".
40	IMD	IMD+C++BA ' This is a base item (a configurable item that is further specified via options). IMD+C++TU This item is a trading unit.
41	IMD	IMD+C+DDR+RR ' The item is EUDR relevant
42	IMD	IMD+F+13+::PEFC ' The article has the quality flag "PEFC".
43	MEA	MEA+AAE+WD+MMT:1200 ' The width of the article is 1200mm
44	QTY	QTY+131:2:PCE ' The delivery quantity is 2 pieces.

No. = Segment-Number in Guide

Example

No.	Name	Example
45	QTY	QTY+83:1:PCE' 1 piece will be delivered later QTY+21:3:PCE The ordered quantity is 3 pieces.
46	DTM	DTM+2:20180515:102' The requested delivery date for this item is 15.05.2018.
47	DTM	DTM+76:20180520:102' The confirmed delivery date of this item is 20.05.2018.
48	MOA	MOA+203:1047.99:EUR' The total position amount is 1047.99 EUR
49	MOA	MOA+131:-2.55:EUR' This item includes 2,55 EUR discount.
50	MOA	MOA+64:20.00:EUR' 20,00 EUR freight costs are included in this position.
51	FTX	FTX+ZZZ+1++Freitext 1:Freitext 2:Freitext 3' Free text information about the article
52	FTX	FTX+ABY+1+DDR+DDR0011:DDR00225DEJWHGNT7120:DDR003DDSV333' Beginn der ersten EUDR-relevanten Komponente mit DDS-Referenznummer 25DEJWHGNT7120 und Verifizierungstoken DDSV333
53	FTX	FTX+DDR+1+50+http?://example.org/??file=HJSDdhadSjdSJD:DDR001:Einschlagsgenehmigung' The logging permit is available as PDF at: http://example.org/?file=HJSDdhadSjdSJD
54	FTX	FTX+DPP+1+100+http?://integrated?+worlds.com/furn?+x/aas/HU?+CA15018' The asset-id of the digital product passport is http://integrated+worlds.com/furn+x/aas/HU+CA15018
SG30		
55	PRI	PRI+AAA:230.50' The net price is 230.50 per piece PRI+AAA:1240.90:::100:KGM The net price is 1240.90 per 100 Kg.
SG30		
56	PRI	PRI+AAB:4.79:::1:PCE' The gross price is 4,79 per unit PRI+AAA:1240.90:::100:KGM The net price is 1240,90 per 100 Kg
SG30		
57	PRI	PRI+AAE:799:::SRP' The recommended retail sales price of the item is 799.00 (tax included) per unit.
SG31		
58	RFF	RFF+ON:BE7732:1' The item refers to item 1 of purchase order BE7732
59	DTM	DTM+171:20180427:102' The date of the reference is 24.04.2018
SG31		
60	RFF	RFF+YB4:OBJ2638' The item refers to the commission OBJ2638

No. = Segment-Number in Guide

Example

No.	Name	Example
61	DTM	DTM+171:20180131:102'
	SG32	
62	PAC	PAC+3++201' The position consists of 3 Euro-Pallets
63	MEA	MEA+AAE+AAB+KGM:500' The gross weight of the packages is 500Kg
	SG34	
64	PCI	PCI+33E' The packages are flagged with a NVE/SSCC.
65	GIN	GIN+AW+435567299345621231' The Serial Shipping Container Code (SSCC) for the package is 435567299345621231
	SG41	
66	ALC	ALC+A+++1+DI::Frühlingsrabatt' This item is discounted.
	SG43	
67	PCD	PCD+3:5' The surcharge or discount is 5%
	SG44	
68	MOA	MOA+8:10.22:EUR' The surcharge or discount amount is 10.22 EUR
	2. Option of a base article (feature)	
	SG26	

No. = Segment-Number in Guide

Example

No.	Name	Example
69	LIN	<p>LIN+11++12345:SA+1:1' The Item 11 (with manufacturer's number "BZS") is a subposition of Item 10.</p> <p>LIN+10++7632-231:SA IMD+A++::Schlafsofa Holle IMD+C++BA LIN+11++BZS:SA+1:10 IMD+C++OP IMD+A++::Bezugsstoff LIN+12++LEINN:SA+1:11 IMD+C++OPV IMD+A++::Leinenstoff natur Item number 10 : "Schlafsofa Holle" (manufacturer's ref. 7632-231), flagged as base article (BA). Item 11: subposition of item 10, flagged as an option/feature with the name "Bezugsstoff" (ID: BZS). Item 12: subposition of item 11, flagged as an option value with the value "Leinenstoff natur" (ID: LEINN)</p> <p>LIN+10++7630-SET-C:SA IMD+A++::Sitzgarnitur Custom Dream QTY+21:1:EA MOA+203:999:EUR PRI+AAA+999:::1:PCE LIN+20++7630-003:SA+1:10 IMD+A++::3-Sitzer Dream IMD+C++BA QTY+21:1:PCE LIN+21+++1:20 IMD+A++::Ausfuehrung Fuss IMD+C++OP LIN+22+++1:21 IMD+A++::Helsinki IMD+C++OPV LIN+30++7630-001:SA+1:10 IMD+A++::1-Sitzer Dream QTY+21:2:PCE A seating set (ArtNo.: 7630-SET-C) for the price of 999,00 EUR consisting of one configurable 3-seater (desian foot: Helsinki) and two 1-seater (not configurable)</p>
70	PIA	<p>PIA+1+4388726364127:SRV' The GTIN of the option is 4388726364127</p>
71	IMD	<p>IMD+C++OP' The item position is flagged as an option/feature.</p>
72	IMD	<p>IMD+F++::Bezugsstoff' The name of the option is "Bezugsstoff"</p>
3. Option value of an option		
SG26		
73	LIN	<p>LIN+12++LINN:SA+1:11' Item No. 12 (Manufacturer No.: LINN) is a subposition of item No. 11</p>
74	PIA	<p>PIA+1+654321:IN'</p>
75	IMD	<p>IMD+C++OPV' The item position is flagged as option value</p>
76	IMD	<p>IMD+F++::Gobelin Blumenmuster' The option value name is "Gobelin Blumenmuster"</p>

Example

No.	Name	Example
-----	------	---------

4. Subposition of a set, display or container

SG26

77 **LIN** **LIN+21++4312345678910:SRV+1:20'**
 heading 21 with GTIN 4312345678910 is a subposition of position 20

LIN+10++7630-SET:SA
IMD+A++::Sitzgarnitur Dream
QTY+21:1:EA
MOA+203:999:EUR
PRI+AAA+999:::1:PCE
LIN+20++7630-003:SA+1:10
IMD+A++:::3-Sitzer Dream
QTY+21:1:PCE
LIN+30++7630-001:SA+1:10
IMD+A++:::1-Sitzer Dream
QTY+21:2:PCE
 A set of seats (ArtNr.: 7630-SET) for the price of 999,00 EUR consisting of one 3-seater and two 1-seater.

LIN+10++7630-SET-C:SA
IMD+A++::Sitzgarnitur Custom Dream
QTY+21:1:EA
MOA+203:999:EUR
PRI+AAA+999:::1:PCE
LIN+20++7630-003:SA+1:10
IMD+A++:::3-Sitzer Dream
IMD+C++BA
QTY+21:1:PCE
LIN+21+++1:20
IMD+A++::Ausfuehrung Fuss
IMD+C++OP
LIN+22+++1:21
IMD+A++::Helsinki
IMD+C++OPV
LIN+30++7630-001:SA+1:10
IMD+A++:::1-Sitzer Dream
QTY+21:2:PCE
 A seating set (ArtNo.: 7630-SET-C) for the price of 999,00 EUR consisting of one configurable 3-seater (foot design: Helsinki) and two 1-seater (not configurable)

78 **IMD** **IMD+C++CU'**
 The item is a consumer unit.

79 **UNS** **UNS+S'**

Message footer summary part

80 **MOA** **MOA+79:822.88:EUR'**
 The total position amount is 822.88 EUR

81 **UNT** **UNT+72+1'**
 The document consists of 72 segments

82 **UNZ** **UNZ+1+3245781'**
 The message contains 1 document.

EUDR Datapoints

No.	Seg.	Example
-----	------	---------

EUDR requirement profiles

Below you will find the EUDR data points in relation to the various requirement profiles and the (not yet finalized) EUDR requirements. In this presentation we look at communication from industry to trade.

Process control

The control of the EDI - EUDR overall process is embedded in the existing requirements for an ORDRSP. New compared to existing requirements are the manufacturer's company name and address as well as the contact person for queries about the EUDR. At item level (item-related), the customs tariff number and the EUDR relevance. Regardless of whether the complete EUDR information is already transmitted with the ORDRSP or later with the ORDRSP AVIS or DESADV, the following information is mandatory.

- Messages - Header
 - Manufacturer including company name and address
 - Contact person for queries from retailers about EUDR data
- Messages - Position
 - Item identification
 - GTIN
 - Manufacturer item number
 - Series
 - Item name
 - Customs tariff number of the item
 - EUDR relevant
 - Confirmed quantity

Use case 1: The product is already registered in EU Trace

This is probably the most common constellation. In addition to the information already mentioned above, the EUDR requires the following information:

- EUDR reference number
 - The EUDR reference number DDR
 - The EUDR verification number DDV

Use case 2: The product will be registered later in EU Trace

In this case, the information for process control in the ORDRSP is sufficient. The EUDR reference numbers are then transmitted in the ORDRSP AVIS or the DESADV.

Use case 3: The product is not registered by the manufacturer in EU-Trace

In this case, the manufacturer sends the information of its suppliers who have registered their products in EU Trace. Information on the main component of the product is mandatory:

- Component information

Optionally, this information can also be used for all other components.

Use case 4: The manufacturer wants to request the registration

In this case, the manufacturer sends all the above information

- Process control

EUDR Datapoints

No.	Seg.	Example
-----	------	---------

An agreement with the service provider (e.g. IWO furn) regulates how the process of registration, the addition of the new registration number to the ORDRSP and the return transfer of the information to the manufacturer is organized.

Process control - head

Supplier

20 NAD NAD+SU+4010340000000::9++Lieferant GmbH+Musterstraße
 1+Musterstadt+77777+DE'
 GLN of supplier: 4010340000000
 Company name of supplier: Lieferant GmbH

Contact person

26 CTA CTA+MC+DW:Dietmar Weber'
 The contact person for questions regarding the EUDR is Mr. Weber

Mail and phone

27 COM COM+Dietmar.Weber@IWO furn.com:EM'
 Email address of the EUDR responsible contact: Dietmar.Weber@IWO furn.com
 27 COM COM+0711/1234567:TE'
 Phone number of the EUDR responsible contact: 0711/1234567

Process control - position

GTIN

34 LIN LIN+1++4312345678910:SRV'
 The GTIN of the item is 4312345678910

Supplier product number

35 PIA PIA+1+12345:SA'
 The supplier product number is 12345

Customs tariff number

36 PIA PIA+1+94016100999:HS'
 The customs tariff number is 94016100999

Series

37 PIA PIA+1+HOLLE:GB::91'
 The series is HOLLE

Item Name

39 IMD IMD+D+ANM+:::Funktions-Sofa Holle'
 The item name is "Funktions-Sofa Holle"

EUDR relevance

41 IMD IMD+C+DDR+RR'
 The item is subject to the EUDR
 41 IMD IMD+C+DDR+NRR'
 The item is NOT subject to the EUDR
 41 IMD IMD+C+DDR+NRE'
 The item is NOT subject to the EUDR, because of safe origin country

Amount and Unitcode

44 QTY QTY+131:2:PCE'
 2 Pieces

EUDR Datapoints

No.	Seg.	Example
-----	------	---------

Component information

53	FTX	FTX+ABY+1+DDR+DDR0011:DDR00225DEJWHGNT7120:DDR003DDSV333' Component-No. (DDR001): 1 DDS-Reference-Number (DDR002): 25DEJWHGNT7120 Verification-Token (DDR003): DDSV333
53	FTX	FTX+ABY+1+DDR+DDR0114300000001:DDR012DE:DDR013Holzwerk AG' Supplier-GLN (DDR011): 4300000000001 Supplier-Country (DDR012): DE Supplier-Name (DDR013): Holzwerk AG

EUDR Referencenumber

59	RFF	RFF+DDR:25DEJWHGNT7120 The EUDR Registrationnumber is 25DEJWHGNT7120
59	RFF	RFF+DDV:DDSV333 The EUDR Verifikationnumber is DDSV333

Document information

52	FTX	FTX+DDR+1+50+http?://example.org/??file=HJSDdhadSjdSJD:DDR001: Einschlagsgenehmigung' The Logging Permit (DDR001) can be retrieved as PDF (50) from "http://example.org/?file=HJSDdhadSjdSJD"
----	-----	---