

EDI Guide

Receive Advice (RECADV)

Electronic Data Interchange for Furniture

based on
EANCOM 2012

Version: 1.0.1
Variant: DCC-FURN
Published: 13.01.2023
Author: Integrated Worlds

Contact

Daten Competence Center e. V.
Dr.-Ing. Olaf Plümer
Geschäftsführer
Goebenstraße 4-10
32052 Herford
Tel.: +49 52 21 / 12 65 37
Fax.: +49 52 21 / 12 65 5 37

E-Mail: pluemer@dcc-moebel.org
Info: www.dcc-moebel.org



**Daten
Competence
Center e. V.**

Table of Contents

1 Structure.....	3
2 Diagram	4
3 Segments	9
4 Examples.....	39

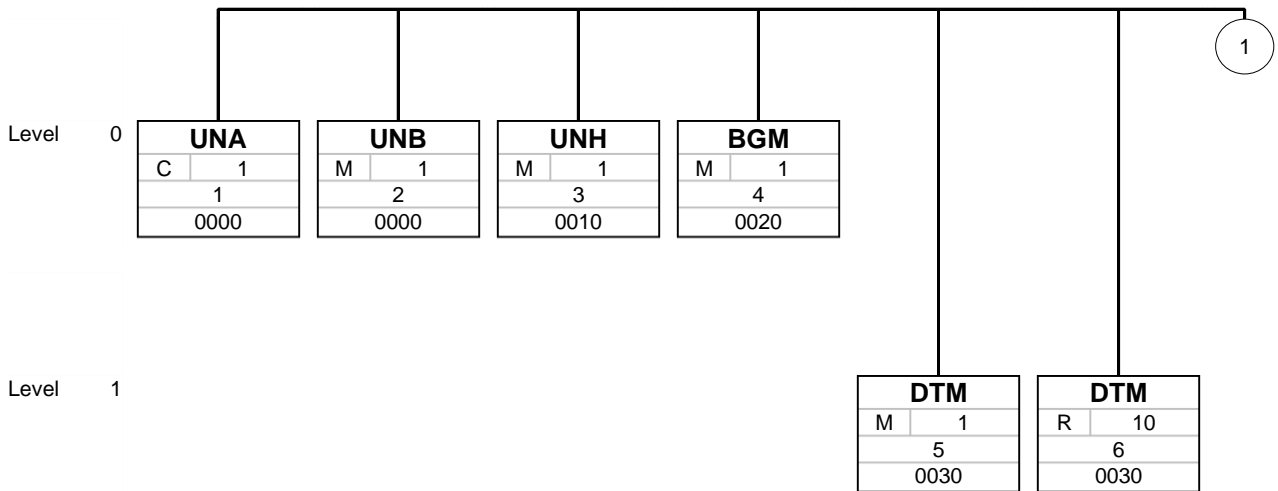
Document Structure

Index	No.	Tag	St	MaxWdh	Level	Description
0000	1	UNA	C	1	0	Service string advice
0000	2	UNB	M	1	0	Interchange header
0010	3	UNH	M	1	0	Message header
0020	4	BGM	M	1	0	Document type and document number
0030	5	DTM	M	1	1	Document date
0030	6	DTM	R	10	1	Goods receipt date
0070		SG1	R	1	1	Delivery notification number
0080	7	RFF	M	1	1	Delivery notification number
0070		SG1	O	5	1	Further reference information
0080	8	RFF	M	1	1	Reference
0090	9	DTM	C	1	2	Date of reference
0180		SG4	M	99	1	Names and addresses of the parties involved
0190	10	NAD	M	1	1	Name and address
0210		SG5	C	10	2	Reference numbers to the party
0220	11	RFF	M	1	2	Reference
0240		SG6	C	10	2	Contact person and communication data
0250	12	CTA	M	1	2	Contact person or department
0260	13	COM	C	5	3	Communication contact
0520		SG16	D	1	1	Shipment data
0530	14	CPS	M	1	1	Consignment packing sequence
0540		SG17	C	9999	2	Packages
0550	15	PAC	M	1	2	Package
0560	16	QVR	C	1	3	Quantity variances
0570		SG18	C	999	3	Package identification
0580	17	PCI	M	1	3	Label type
0630		SG20	C	999	4	Goods identification
0640	18	GIN	M	1	4	Goods identity number
0680		SG22	C	9999	2	Position data
0690	19	LIN	M	1	2	Item position
0700	20	PIA	D	10	3	Supplier part number
0700	21	PIA	O	10	3	Additional item identification
0720	22	QTY	C	10	3	Quantity data
0730	23	QVR	C	10	3	Quantity variances
0910		SG28	C	10	3	Reference details
0920	24	RFF	M	1	3	Reference
0930	25	DTM	O	1	4	Reference date
0970		SG29	C	9999	3	Package identification
0980	26	PCI	M	1	3	Marking type
1040		SG31	C	10	4	Goods identification
1050	27	GIN	M	1	4	Goods identity number
1100	28	UNT	M	1	0	Message trailer
0000	29	UNZ	M	1	0	Interchange trailer

Tag = Segment-/Group-Name
 Index = Segment Index Number (in Standard)
 No. = Unique Segment-Number in Guide
 MaxOcc = Max. Occurrence in Segment/Group

St = Status
 EDIFACT: M=Mandatory, C=Conditional
 Usage: R=Required, O=Optional, D=Dependent, A=Advised,
 N=Not used

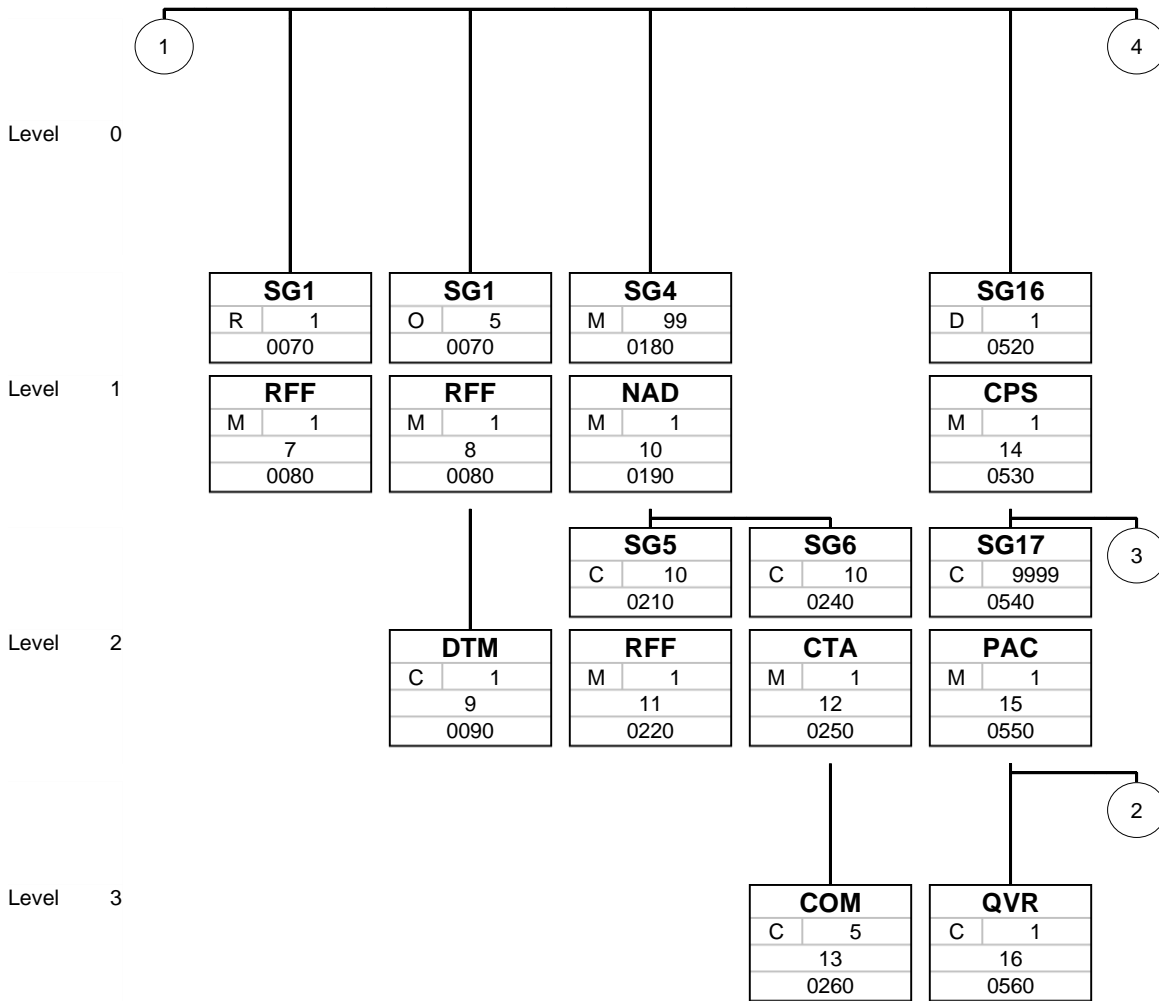
Message structure diagram (used Segments/Groups)



Name
St MaxOcc
No.
Index

Name = Segment-/Group-Name
 St = Status (M=Mandatory, C=Conditional, R=Required, O=Optional, D=Dependent, A=Advised)
 MaxOcc = Max. Occurrence of Segment/Gruppe
 No. = Segment-Number in Guide
 Index = Segmente-Number (in Standard)

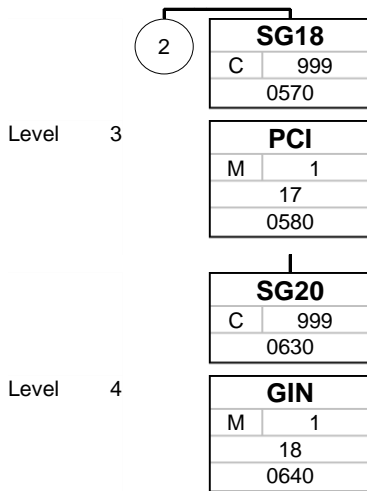
Message structure diagram (used Segments/Groups)



Name
St MaxOcc
No.
Index

Name = Segment-/Group-Name
 St = Status (M=Mandatory, C=Conditional, R=Required, O=Optional, D=Dependent, A=Advised)
 MaxOcc = Max. Occurence of Segment/Gruppe
 No. = Segment-Number in Guide
 Index = Segmente-Number (in Standard)

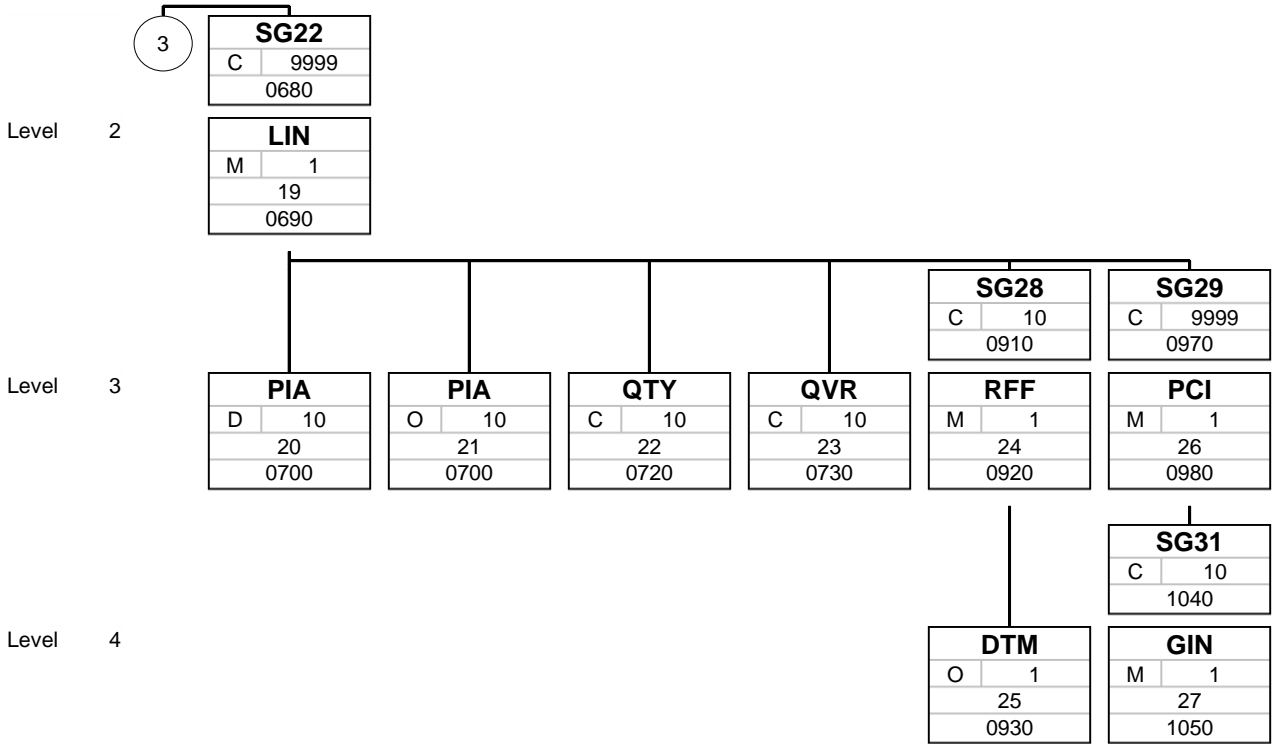
Message structure diagram (used Segments/Groups)



Name
St MaxOcc
No.
Index

Name = Segment-/Group-Name
 St = Status (M=Mandatory, C=Conditional, R=Required, O=Optional, D=Dependent, A=Advised)
 MaxOcc = Max. Occurrence of Segment/Gruppe
 No. = Segment-Number in Guide
 Index = Segmente-Number (in Standard)

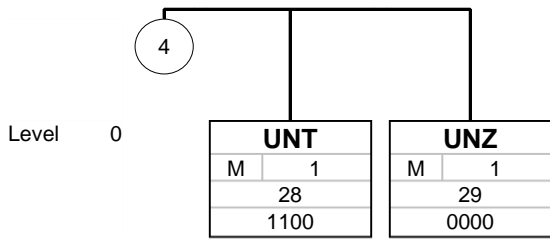
Message structure diagram (used Segments/Groups)



Name
St MaxOcc
No.
Index

Name = Segment-/Group-Name
 St = Status (M=Mandatory, C=Conditional, R=Required, O=Optional, D=Dependent, A=Advised)
 MaxOcc = Max. Occurrence of Segment/Gruppe
 No. = Segment-Number in Guide
 Index = Segmente-Number (in Standard)

Message structure diagram (used Segments/Groups)



Name
St MaxOcc
No.
Index

Name = Segment-/Group-Name
 St = Status (M=Mandatory, C=Conditional, R=Required, O=Optional, D=Dependent, A=Advised)
 MaxOcc = Max. Occurrence of Segment/Gruppe
 No. = Segment-Number in Guide
 Index = Segmente-Number (in Standard)

Segments

Index	No.	Tag	St	MaxOcc	Level	Description
0000	1	UNA	C	1	0	Service string advice

Standard			Implementation	
Name	Name	St Format	St Format	Usage / Remark
UNA				
UNA1	Component data element separator	M an1	M an1	: Composite separator
UNA2	Data element separator	M an1	M an1	+ Segment separator
UNA3	Decimal notation	M an1	M an1	. Decimal point
UNA4	Release indicator	M an1	M an1	? Masking character
UNA5	Reserved for future use	M an1	M an1	Space character
UNA6	Segment terminator	M an1	M an1	' Segment terminator character

Remark:

This segment defines the characters reserved for this format.
Only the Edifact standard characters specified here apply to this format.

Example:

UNA:+.?'

Tag = Object-Name
No. = Segment-Number in Guide
MaxOcc = Max. Occurrence of Segment/Group
Index = Index-Number of Segment/Group (in Standard)

St = Status
EDIFACT: M=Mandatory, C=Conditional
Usage: R=Required, O=Optional, D=Dependent, A=Advised, N=Not used

Segments

Index No.	Tag	St	MaxOcc	Level	Description
-----------	-----	----	--------	-------	-------------

0000	2	UNB	M	1	0	Interchange header
------	---	------------	---	---	---	--------------------

Standard			Implementation	
Name	Name	St Format	St Format	Usage / Remark
UNB				
S001	Syntax identifier	M	M	
0001	Syntax identifier	M a4	M a4	UNOC UN/ECE level C
0002	Syntax version number	M n1	M n1	3 Version 3
S002	Interchange sender	M	M	
0004	Sender identification	M an..35	M an..35	Sender identifier (GLN)
0007	Partner identification code qualifier	C an..4	R an..4	14 GS1 ZZZ bilaterally agreed
S003	Interchange recipient	M	M	
0010	Recipient identification	M an..35	M an..35	Receiver identifier (GLN)
0007	Partner identification code qualifier	C an..4	R an..4	14 GS1 ZZZ bilaterally agreed
0014	Routing address	C an..14	C an..14	Forwarding address (GLN) Only if bilaterally agreed. The recipient is responsible for the forwarding.
S004	Date/time of preparation	M	M	
0017	Date of preparation	M n6	M n6	Creation date of the EDIFACT file (YYMMDD)
0019	Time of preparation	M n4	M n4	Creation time of the EDIFACT file (HHMM)
0020	Interchange control reference	M an..14	M an..14	Unique data exchange reference number (file counter). Corresponds to the specification in UNZ 0020.
S005	Recipient's reference, password	C	N	
0022	Recipient's reference/password	M an..14	N	Not used
0026	Application reference	C an..14	O an..14	name and version number of the sending system
0029	Processing priority code	C a1	N	Not used
0031	Acknowledgement request	C n1	N	Not used
0032	Communications agreement ID	C an..35	R an..35	= "DCC-FURN-V1.0.1"

Remark:

This segment is used to uniquely identify the sender and recipient of the message.
The actual technical participant is specified here. This may differ from the information in the NAD segments.
Technical sender and recipient must be identifiable by a unique identification number (GLN).

In exceptional cases, other identification numbers that are not GLNs can also be used here. In these cases, the qualifier ZZZ must be used after bilateral agreement between sender and receiver.

Example:

UNB+UNOC:3+4399901793453:14+4041116000009:14:4139916000005+180521:1240+2478239++++DCC-FURN-V1.0.1

The sender of the message is 4399901793453, the recipient is 4041116000009.
The message was created on 21/05/2018 at 12:40h and has the unique reference number 2478239.

Tag = Object-Name
No. = Segment-Number in Guide
MaxOcc = Max. Occurrence of Segment/Group
Index = Index-Number of Segment/Group (in Standard)

St = Status
EDIFACT: M=Mandatory, C=Conditional
Usage: R=Required, O=Optional, D=Dependent, A=Advised,
N=Not used

Segments

Index	No.	Tag	St	MaxOcc	Level	Description
0010	3	UNH	M	1	0	Message header

Standard			Implementation	
Name	Name	St Format	St Format	Usage / Remark
UNH				
0062	Message reference number	M an..14	M an..14	Unique message reference of the sender. Identical to DE 0062 in UNT.
S009	Message identifier	M	M	
0065	Message type	M an..6	M an..6	RECADV Receiving advice message
0052	Message version number	M an..3	M an..3	D Draft version/UN/EDIFACT Directory
0054	Message release number	M an..3	M an..3	01B Release 2001 - B
0051	Controlling agency	M an..2	M an..2	UN UN/CEFACT
0057	Association assigned code	C an..6	R an..6	EAN010 GS1 version control number (GS1 Permanent Code)

Remark:

This segment is used to open a message document.

Example:

UNH+1+RECADV:D:01B:UN: EAN001'

This message is an Edifact RECADV.

Tag = Object-Name
 No. = Segment-Number in Guide
 MaxOcc = Max. Occurrence of Segment/Group
 Index = Index-Number of Segment/Group (in Standard)

St = Status
 EDIFACT: M=Mandatory, C=Conditional
 Usage: R=Required, O=Optional, D=Dependent, A=Advised,
 N=Not used

Segments

Index No.	Tag	St	MaxOcc	Level	Description
0020	4 BGM	M	1	0	Document type and document number

Standard			Implementation	
Name	Name	St Format	St Format	Usage / Remark
BGM				
C002	Document/message name	C	R	
1001	Document name code	C an..3	C an..3	632 Goods receipt
C106	Document/message identification	C	C	
1004	Document identifier	C an..35	R an..35	Document number
1225	Message function code	C an..3	R an..3	Document control indicator 9 Original 29 Accepted without amendment 27 Not accepted

Remark:

In this segment the document type and the unique document number of the document issuer are indicated. In addition, the function indicator can be used here to indicate whether a shipment has been accepted or rejected.

Example:

BGM+632+WE47291+9'

This document is a goods receipt message with document number WE47291.

Tag = Object-Name
No. = Segment-Number in Guide
MaxOcc = Max. Occurrence of Segment/Group
Index = Index-Number of Segment/Group (in Standard)

St = Status
EDIFACT: M=Mandatory, C=Conditional
Usage: R=Required, O=Optional, D=Dependent, A=Advised,
N=Not used

Segments

Index	No.	Tag	St	MaxOcc	Level	Description
0030	5	DTM	M	1	1	Document date

Standard			Implementation	
Name	Name	St Format	St Format	Usage / Remark
DTM				
C507	Date/time/period	M	M	
2005	Date or time or period function code qualifier	M an..3	M an..3	137 Document/message date/time
2380	Date or time or period value	C an..35	R an..35	Date
2379	Date or time or period format code	C an..3	R an..3	102 CCYYMMDD

Remark:

The creation date of the document.
 Must be specified with code value 137 in the message

Example:

DTM+137:20180521:102'

The document was created on 21.05.2018.

Tag = Object-Name
 No. = Segment-Number in Guide
 MaxOcc = Max. Occurrence of Segment/Group
 Index = Index-Number of Segment/Group (in Standard)

St = Status
 EDIFACT: M=Mandatory, C=Conditional
 Usage: R=Required, O=Optional, D=Dependent, A=Advised,
 N=Not used

Segments

Index No.	Tag	St	MaxOcc	Level	Description
0030 6	DTM	R	10	1	Goods receipt date

Standard			Implementation	
Name	Name	St Format	St Format	Usage / Remark
DTM				
C507	Date/time/period	M	M	
2005	Date or time or period function code qualifier	M an..3	M an..3	50 Goods receipt date/time
2380	Date or time or period value	C an..35	R an..35	Date
2379	Date or time or period format code	C an..3	R an..3	102 CCYYMMDD

Remark:

Goods receipt date

Example:

DTM+50:20182005:102'

The goods receipt took place on 21.05.2018

Tag = Object-Name
 No. = Segment-Number in Guide
 MaxOcc = Max. Occurrence of Segment/Group
 Index = Index-Number of Segment/Group (in Standard)

St = Status
 EDIFACT: M=Mandatory, C=Conditional
 Usage: R=Required, O=Optional, D=Dependent, A=Advised,
 N=Not used

Segments

Index No.	Tag	St	MaxOcc	Level	Description
0070	SG1	R	1	1	Delivery notification number
0080	RFF	M	1	1	Delivery notification number

Standard			Implementation	
Name	Name	St Format	St Format	Usage / Remark
RFF				
C506	Reference	M	M	
1153	Reference code qualifier	M an..3	M an..3	AAK Despatch advice number
1154	Reference identifier	C an..70	C an..70	Document number

Remark:

Reference to the delivery note (DESADV) to which this document refers.

Example:

RFF+AAK:LS47164'

The goods receipt message references the delivery message LS47164

Tag = Object-Name
 No. = Segment-Number in Guide
 MaxOcc = Max. Occurrence of Segment/Group
 Index = Index-Number of Segment/Group (in Standard)

St = Status
 EDIFACT: M=Mandatory, C=Conditional
 Usage: R=Required, O=Optional, D=Dependent, A=Advised,
 N=Not used

Segments

Index No.	Tag	St	MaxOcc	Level	Description
0070	SG1	O	5	1	Further reference information
0080	RFF	M	1	1	Reference

Standard			Implementation	
Name	Name	St Format	St Format	Usage / Remark
RFF				
C506	Reference	M	M	
1153	Reference code qualifier	M an..3	M an..3	ON Order number (buyer) VN Order number (supplier) AAS Transport document number DQ Delivery note number YB4 Commission number
1154	Reference identifier	C an..70	C an..70	Reference number

Remark:

Additional document references

Example:

RFF+ON:O-12732912'

The customer's order number is O-12732912

Tag = Object-Name

No. = Segment-Number in Guide

MaxOcc = Max. Occurrence of Segment/Group

Index = Index-Number of Segment/Group (in Standard)

St = Status

EDIFACT: M=Mandatory, C=Conditional

Usage: R=Required, O=Optional, D=Dependent, A=Advised,

N=Not used

Segments

Index No.	Tag	St	MaxOcc	Level	Description
0070	SG1	O	5	1	Further reference information
0090	9 DTM	C	1	2	Date of reference

Standard			Implementation	
Name	Name	St Format	St Format	Usage / Remark
DTM				
C507	Date/time/period	M	M	
2005	Date or time or period function code qualifier	M an..3	M an..3	171 Reference date/time
2380	Date or time or period value	C an..35	C an..35	Date
2379	Date or time or period format code	C an..3	C an..3	102 CCYYMMDD

Remark:

Date information of previous RFF segment.

Example:

DTM+171:20180514:102'

The date of the referenced document is 14.05.2018.

Tag = Object-Name
 No. = Segment-Number in Guide
 MaxOcc = Max. Occurrence of Segment/Group
 Index = Index-Number of Segment/Group (in Standard)

St = Status
 EDIFACT: M=Mandatory, C=Conditional
 Usage: R=Required, O=Optional, D=Dependent, A=Advised,
 N=Not used

Segments

Index No.	Tag	St	MaxOcc	Level	Description
0180	SG4	M	99	1	Names and addresses of the parties involved
0190 10	NAD	M	1	1	Name and address

Standard			Implementation	
Name	Name	St Format	St Format	Usage / Remark
NAD				
3035	Party function code qualifier	M an..3	M an..3	DP Delivery party UC End customer Ship-to party PW Pickup address/delivery point BY Buyer IV Invoicee SU Supplier CO Corporate office FW Selected transport company SF Ship from
C082	Party identification details	C	C	
3039	Party identifier	M an..35	M an..35	GLN or other unique identification number of the party involved.
1131	Code list identification code	C an..17	N	Not used
3055	Code list responsible agency code	C an..3	R an..3	9 GS1 91 Assigned by supplier or supplier's agent 92 Assigned by buyer or buyer's agent
C058	Name and address	C	N	
3124	Name and address description	M an..35	N	Not used
C080	Party name	C	C	
3036	Party name	M an..35	M an..35	Name For companies : company name For individuals: firstname lastname
3036	Party name	C an..35	C an..35	For companies: company name continuation For individuals: blank
3036	Party name	C an..35	C an..35	For companies: blank For individuals: firstname
3036	Party name	C an..35	C an..35	For companies: blank For individuals: lastname
C059	Street	C	C	
3042	Street and number or post office box identifier	M an..35	M an..35	Street and house number
3042	Street and number or post office box identifier	C an..35	C an..35	
3042	Street and number or post office box identifier	C an..35	N	Not used
3042	Street and number or post office box identifier	C an..35	N	Not used
3164	City name	C an..35	C an..35	City
C819	Country sub-entity details	C	N	
3229	Country sub-entity name code	C an..9	N	Not used
3251	Postal identification code	C an..17	C an..17	Postal code
3207	Country name code	C an..3	C an..3	Country code (2 digits, ISO) e.g.: DE , AT ...

Remark:

GLN, name and address of the companies involved

It is recommended to include here not only the GLN but also the name and complete address.

The use of GLN numbers is also recommended. In exceptional cases, other codes can be used here bilaterally agreed, then the code 91 or 92 must be entered in field 3055.

Tag = Object-Name

No. = Segment-Number in Guide

MaxOcc = Max. Occurrence of Segment/Group

Index = Index-Number of Segment/Group (in Standard)

St = Status

EDIFACT: M=Mandatory, C=Conditional

Usage: R=Required, O=Optional, D=Dependent, A=Advised,

N=Not used

Segments

If the specification of a unique identification number is not possible (e.g. for end customer addresses), this can be omitted (Fedl 3055 then remains empty), otherwise this must be specified.

Example:

NAD+DP+8765432123456::9'

The GLN of the goods recipient is 8765432123456

NAD+DP++Hans Meyer+Musterstraße 1+Musterstadt+77777+DE'

The shipping address is:

Hans Meyer

Sample street 1

77777 Musterstadt

Germany

Tag = Object-Name

No. = Segment-Number in Guide

MaxOcc = Max. Occurrence of Segment/Group

Index = Index-Number of Segment/Group (in Standard)

St = Status

EDIFACT: M=Mandatory, C=Conditional

Usage: R=Required, O=Optional, D=Dependent, A=Advised,

N=Not used

Segments

Index No.	Tag	St	MaxOcc	Level	Description
0180	SG4	M	99	1	Names and addresses of the parties involved
0210	SG5	C	10	2	Reference numbers to the party
0220 11	RFF	M	1	2	Reference

Standard			Implementation	
Name	Name	St Format	St Format	Usage / Remark
RFF				
C506	Reference	M	M	
1153	Reference code qualifier	M an..3	M an..3	CT Contract number IT Internal customer number GN Government reference number to indicate the commercial register number YC1 Additional party identification (GS1 Temporary Code) Additional partner identification in case the GLN is not sufficient. (to be agreed bilaterally)
1154	Reference identifier	C an..70	C an..70	Document number

Remark:

In this segment, additional reference numbers can be specified for the respective participant.

Example:

RFF+GN:HRB-815632'

The commercial register number is HRB-815632

Tag = Object-Name
 No. = Segment-Number in Guide
 MaxOcc = Max. Occurrence of Segment/Group
 Index = Index-Number of Segment/Group (in Standard)

St = Status
 EDIFACT: M=Mandatory, C=Conditional
 Usage: R=Required, O=Optional, D=Dependent, A=Advised, N=Not used

Segments

Index No.	Tag	St	MaxOcc	Level	Description
0180	SG4	M	99	1	Names and addresses of the parties involved
0240	SG6	C	10	2	Contact person and communication data
0250 12	CTA	M	1	2	Contact person or department

Standard			Implementation	
Name	Name	St Format	St Format	Usage / Remark
CTA				
3139	Contact function code	C an..3	R an..3	MGR Manager (GS1 Temporary Code)
C056	Department or employee details	C	C	
3413	Department or employee name code	C an..17	C an..17	Identifier of the contact person or department
3412	Department or employee name	C an..35	C an..35	Name of contact person or department

Remark:

Name of contact person or department

Example:

CTA+MGR+EK-23:Herr Schmidt'

Contact person is Mr. Schmidt

Tag = Object-Name
 No. = Segment-Number in Guide
 MaxOcc = Max. Occurrence of Segment/Group
 Index = Index-Number of Segment/Group (in Standard)

St = Status
 EDIFACT: M=Mandatory, C=Conditional
 Usage: R=Required, O=Optional, D=Dependent, A=Advised,
 N=Not used

Segments

Index No.	Tag	St	MaxOcc	Level	Description
0180	SG4	M	99	1	Names and addresses of the parties involved
0240	SG6	C	10	2	Contact person and communication data
0260 13	COM	C	5	3	Communication contact

Standard			Implementation	
Name	Name	St Format	St Format	Usage / Remark
COM				
C076	Communication contact	M	M	
3148	Communication address identifier	M an..512	M an..512	communication address of the contact person or department
3155	Communication address code qualifier	M an..3	M an..3	TE Telephone AL Cell phone number EM Email address FX Fax

Remark:

Phone number of the contact person or department

Example:

COM+0711/1234567:TE'

The phone number is 0711/1234567

Tag = Object-Name
 No. = Segment-Number in Guide
 MaxOcc = Max. Occurrence of Segment/Group
 Index = Index-Number of Segment/Group (in Standard)

St = Status
 EDIFACT: M=Mandatory, C=Conditional
 Usage: R=Required, O=Optional, D=Dependent, A=Advised,
 N=Not used

Segments

Index No.	Tag	St	MaxOcc	Level	Description
0520	SG16	D	1	1	Shipment data
0530 14	CPS	M	1	1	Consignment packing sequence

Standard			Implementation	
Name	Name	St Format	St Format	Usage / Remark
CPS				
7164	Hierarchical structure level identifier	M an..35	M an..35	Fixed value: "1"

Remark:

The CPS segment is used to group packages and articles into one logical unit. In principle, it is possible to subdivide CPS segments hierarchically, but this is explicitly not done here.

Here, a simplified representation is described in which the CPS segment represents the entire shipment in which various packages and items are contained.

Therefore, only one CPS segment is necessary. A dedicated assignment between packages and articles does not take place here, but it is possible to transfer shipment numbers for the respective article, if this should be relevant.

The purpose of the goods receipt notification is to inform the sender of the goods of any damaged and/or missing packages and/or articles. This also includes deviations from the delivery notification (DESADV) such as excess articles delivered.

If the delivery fully complies with the delivery notification (DESADV) it is sufficient to transmit the header information with the function code '29' (BGM.1225).

A simplified complete denial of acceptance is not provided here.

Example:

CPS+1'

Tag = Object-Name
 No. = Segment-Number in Guide
 MaxOcc = Max. Occurrence of Segment/Group
 Index = Index-Number of Segment/Group (in Standard)

St = Status
 EDIFACT: M=Mandatory, C=Conditional
 Usage: R=Required, O=Optional, D=Dependent, A=Advised, N=Not used

Segments

Index No.	Tag	St	MaxOcc	Level	Description
0520	SG16	D	1	1	Shipment data
0540	SG17	C	9999	2	Packages
0550 15	PAC	M	1	2	Package

Standard			Implementation	
Name	Name	St Format	St Format	Usage / Remark
PAC				
7224	Package quantity	C n..8	C n..8	Package quantity
C531	Packaging details	C	N	
7075	Packaging level code	C an..3	N	Not used
C202	Package type	C	C	
7065	Package type description code	C an..17	C an..17	200 Pallet ISO 0 - 1/2 EURO Pallet (GS1 Temporary Code) 201 Pallet ISO 1 - 1/1 EURO Pallet (GS1 Temporary Code) PC Parcel CT Carton
1131	Code list identification code	C an..17	N	Not used
3055	Code list responsible agency code	C an..3	C an..3	9 GS1

Remark:

Package, e.g. Euro pallet

Example:

PAC+1++201:::9'

Package: 1 pallet

Tag = Object-Name
 No. = Segment-Number in Guide
 MaxOcc = Max. Occurrence of Segment/Group
 Index = Index-Number of Segment/Group (in Standard)

St = Status
 EDIFACT: M=Mandatory, C=Conditional
 Usage: R=Required, O=Optional, D=Dependent, A=Advised,
 N=Not used

Segments

Index No.	Tag	St	MaxOcc	Level	Description
0520	SG16	D	1	1	Shipment data
0540	SG17	C	9999	2	Packages
0560 16	QVR	C	1	3	Quantity variances

Standard			Implementation	
Name	Name	St Format	St Format	Usage / Remark
QVR				
C279	Quantity difference information	C	C	
6064	Quantity variance value	M n..15	M n..15	Quantity variance Quantities that are not accepted are displayed negatively (e.g. missing quantities).
6063	Quantity type code qualifier	C an..3	C an..3	119 Short shipped 194 Received and accepted 195 Received, not accepted, to be returned 196 Received, not accepted, to be destroyed 217 Out of inventory quantity
4221	Discrepancy nature identification code	C an..3	C an..3	AC Over-shipped AE Delivered but not advised AF Goods delivered damaged AG Delivered too late BP Shipment partial - back order to follow CP Shipment partial - considered complete, no backorder
C960	Reason for change	C	C	
4295	Change reason description code	C an..3	C an..3	AT Item not ordered BN Bar code not readable (GS1 Temporary Code) DME Damaged (GS1 Temporary Code) UM Unit of measure difference X33 Delivered but not advised (GS1 Temporary Code) X34 Missing (GS1 Temporary Code) BB Transport means technical failure BE Goods technical failure

Remark:

This segment is used to indicate quantity discrepancies between what was advised and what was accepted and, if applicable, the reason for the discrepancy (e.g., missing or damaged packages).

In case of negative values (e.g. units not received or damaged) the deviation must be displayed negatively. A positive quantity deviation means that more was delivered than was advised.

Example:

QVR+-1:119++AT'
The package was missing

QVR+++DME
The package was damaged

Tag = Object-Name
No. = Segment-Number in Guide
MaxOcc = Max. Occurence of Segment/Group
Index = Index-Number of Segment/Group (in Standard)

St = Status
EDIFACT: M=Mandatory, C=Conditional
Usage: R=Required, O=Optional, D=Dependent, A=Advised, N=Not used

Segments

Index No.	Tag	St	MaxOcc	Level	Description
0520	SG16	D	1	1	Shipment data
0540	SG17	C	9999	2	Packages
0570	SG18	C	999	3	Package identification
0580 17	PCI	M	1	3	Label type

Standard			Implementation	
Name	Name	St Format	St Format	Usage / Remark
PCI				
4233	Marking instructions code	C an..3	C an..3	33E Marked with serial shipping container code (GS1 Temporary Code)

Remark:

This segment is used to specify which marking type was used and is required to specify consignment numbers.

Example:

PCI+33E'

The package is marked with the shipping unit number

Tag = Object-Name
 No. = Segment-Number in Guide
 MaxOcc = Max. Occurrence of Segment/Group
 Index = Index-Number of Segment/Group (in Standard)

St = Status
 EDIFACT: M=Mandatory, C=Conditional
 Usage: R=Required, O=Optional, D=Dependent, A=Advised,
 N=Not used

Segments

Index No.	Tag	St	MaxOcc	Level	Description
0520	SG16	D	1	1	Shipment data
0540	SG17	C	9999	2	Packages
0570	SG18	C	999	3	Package identification
0630	SG20	C	999	4	Goods identification
0640 18	GIN	M	1	4	Goods identity number

Standard			Implementation	
Name	Name	St Format	St Format	Usage / Remark
GIN				
7405	Object identification code qualifier	M an..3	M an..3	Shipment number type BJ Serial shipping container code
C208	Identity number range	M	M	
7402	Object identifier	M an..35	M an..35	Shipment or SSCC/NVE number

Remark:

This segment is used to specify shipment numbers of a package.

Example:

GIN+BJ+40123456XY156'

The shipment number is 40123456XY156

Tag = Object-Name
 No. = Segment-Number in Guide
 MaxOcc = Max. Occurrence of Segment/Group
 Index = Index-Number of Segment/Group (in Standard)

St = Status
 EDIFACT: M=Mandatory, C=Conditional
 Usage: R=Required, O=Optional, D=Dependent, A=Advised,
 N=Not used

Segments

Index No.	Tag	St	MaxOcc	Level	Description
0520	SG16	D	1	1	Shipment data
0680	SG22	C	9999	2	Position data
0690 19	LIN	M	1	2	Item position

Standard			Implementation	
Name	Name	St Format	St Format	Usage / Remark
LIN				
1082	Line item identifier	C an..6	C an..6	Position number Consecutive position number within the message
1229	Action request/notification description code	C an..3	N	Not used
C212	Item number identification	C	A	
7140	Item identifier	C an..35	R an..35	Article identification (GTIN)
7143	Item type identification code	C an..3	R an..3	SRV GS1 Global Trade Item Number

Remark:

Contains the item number and the GTIN of the item.

Example:

LIN+1+++4992343123456:SRV'

Item position 1 with GTIN 4992343123456

Tag = Object-Name
 No. = Segment-Number in Guide
 MaxOcc = Max. Occurrence of Segment/Group
 Index = Index-Number of Segment/Group (in Standard)

St = Status
 EDIFACT: M=Mandatory, C=Conditional
 Usage: R=Required, O=Optional, D=Dependent, A=Advised,
 N=Not used

Segments

Index No.	Tag	St	MaxOcc	Level	Description
0520	SG16	D	1	1	Shipment data
0680	SG22	C	9999	2	Position data
0700 20	PIA	D	10	3	Supplier part number

Standard			Implementation	
Name	Name	St Format	St Format	Usage / Remark
PIA				
4347	Product identifier code qualifier	M an..3	M an..3	5 Product identification
C212	Item number identification	M	M	
7140	Item identifier	C an..35	C an..35	Supplier part number
7143	Item type identification code	C an..3	C an..3	SA Supplier's article number
1131	Code list identification code	C an..17	N	Not used
3055	Code list responsible agency code	C an..3	C an..3	91 Assigned by supplier or supplier's agent

Remark:

Alternative identification number of the item. Can be used alternatively if the item has no GTIN.

Example:

PIA+5+PRD99887:SA::91'

The number assigned by the supplier for this item is PRD99887

Tag = Object-Name
 No. = Segment-Number in Guide
 MaxOcc = Max. Occurrence of Segment/Group
 Index = Index-Number of Segment/Group (in Standard)

St = Status
 EDIFACT: M=Mandatory, C=Conditional
 Usage: R=Required, O=Optional, D=Dependent, A=Advised,
 N=Not used

Segments

Index No.	Tag	St	MaxOcc	Level	Description
0520	SG16	D	1	1	Shipment data
0680	SG22	C	9999	2	Position data
0700 21	PIA	O	10	3	Additional item identification

Standard			Implementation	
Name	Name	St Format	St Format	Usage / Remark
PIA				
4347	Product identifier code qualifier	M an..3	M an..3	1 Additional identification
C212	Item number identification	M	M	
7140	Item identifier	C an..35	R an..35	Item number
7143	Item type identification code	C an..3	R an..3	IN Buyer's item number
				PV Promotional variant number
1131	Code list identification code	C an..17	N	Not used
3055	Code list responsible agency code	C an..3	R an..3	91 Assigned by supplier or supplier's agent
				92 Assigned by buyer or buyer's agent

Remark:

Additional identification numbers of the article can be specified here.

Example:

PIA+1+GRF22-A:IN::92'

The item number assigned by the buyer for this item is GRF22-A

Tag = Object-Name
 No. = Segment-Number in Guide
 MaxOcc = Max. Occurrence of Segment/Group
 Index = Index-Number of Segment/Group (in Standard)

St = Status
 EDIFACT: M=Mandatory, C=Conditional
 Usage: R=Required, O=Optional, D=Dependent, A=Advised,
 N=Not used

Segments

Index No.	Tag	St	MaxOcc	Level	Description
0520	SG16	D	1	1	Shipment data
0680	SG22	C	9999	2	Position data
0720 22	QTY	C	10	3	Quantity data

Standard			Implementation	
Name	Name	St Format	St Format	Usage / Remark
QTY				
C186	Quantity details	M	M	
6063	Quantity type code qualifier	M an..3	M an..3	12 Despatch quantity 21 Ordered quantity 46 Delivered quantity 48 Received quantity 192 Free goods quantity 194 Received and accepted
6060	Quantity	M an..35	M an..35	
6411	Measurement unit code	C an..3	C an..3	PCE Piece (GS1 Temporary Code)

Remark:

Quantity information for the respective article is given here.

Example:

QTY+46:9:PCE'

The delivered quantity is 9 pieces

Tag = Object-Name
 No. = Segment-Number in Guide
 MaxOcc = Max. Occurrence of Segment/Group
 Index = Index-Number of Segment/Group (in Standard)

St = Status
 EDIFACT: M=Mandatory, C=Conditional
 Usage: R=Required, O=Optional, D=Dependent, A=Advised,
 N=Not used

Segments

Index No.	Tag	St	MaxOcc	Level	Description
0520	SG16	D	1	1	Shipment data
0680	SG22	C	9999	2	Position data
0730 23	QVR	C	10	3	Quantity variances

Standard			Implementation	
Name	Name	St Format	St Format	Usage / Remark
QVR				
C279	Quantity difference information	C	C	
6064	Quantity variance value	M n..15	M n..15	Quantity variance Quantities that are not accepted are displayed negatively (e.g. missing quantities).
6063	Quantity type code qualifier	C an..3	C an..3	119 Short shipped 194 Received and accepted 195 Received, not accepted, to be returned 196 Received, not accepted, to be destroyed 217 Out of inventory quantity
4221	Discrepancy nature identification code	C an..3	C an..3	AC Over-shipped AE Delivered but not advised AF Goods delivered damaged AG Delivered too late BP Shipment partial - back order to follow CP Shipment partial - considered complete, no backorder
C960	Reason for change	C	C	
4295	Change reason description code	C an..3	C an..3	AT Item not ordered BN Bar code not readable (GS1 Temporary Code) DME Damaged (GS1 Temporary Code) UM Unit of measure difference X33 Delivered but not advised (GS1 Temporary Code) X34 Missing (GS1 Temporary Code) BB Transport means technical failure BE Goods technical failure

Remark:

This segment is used to indicate quantity discrepancies between what was advised and what was accepted and, if applicable, the reason for the discrepancy (e.g., in the case of missing or damaged item positions).

In case of negative values (e.g. units not received or damaged) the deviation must be displayed negatively. A positive quantity deviation means that more was delivered than was advised.

Example:

QVR+-10:195+AF+DME'
10 damaged units are not accepted

QVR+2:195+AC
2 units were delivered too much. They will not be accepted and will be returned.

Tag = Object-Name
No. = Segment-Number in Guide
MaxOcc = Max. Occurrence of Segment/Group
Index = Index-Number of Segment/Group (in Standard)

St = Status
EDIFACT: M=Mandatory, C=Conditional
Usage: R=Required, O=Optional, D=Dependent, A=Advised, N=Not used

Segments

Index No.	Tag	St	MaxOcc	Level	Description
0520	SG16	D	1	1	Shipment data
0680	SG22	C	9999	2	Position data
0910	SG28	C	10	3	Reference details Position reference information
0920 24	RFF	M	1	3	Reference

Standard			Implementation	
Name	Name	St Format	St Format	Usage / Remark
RFF				
C506	Reference	M	M	
1153	Reference code qualifier	M an..3	M an..3	Reference type OP Reference to the original sales order AAK Despatch advice number ON Order number (buyer) VN Order number (supplier)
1154	Reference identifier	C an..70	C an..70	Reference number Order/document number of the reference document
1156	Document line identifier	C an..6	C an..6	Item number in the document Position number of the current position in the referenced document

Remark:
Position reference information

Example:
RFF+AAK:LI12314:5'
The order item refers to item 5 of the shipping notification (DESADV) with the number LI12314

Tag = Object-Name
No. = Segment-Number in Guide
MaxOcc = Max. Occurence of Segment/Group
Index = Index-Number of Segment/Group (in Standard)

St = Status
EDIFACT: M=Mandatory, C=Conditional
Usage: R=Required, O=Optional, D=Dependent, A=Advised, N=Not used

Segments

Index No.	Tag	St	MaxOcc	Level	Description
0520	SG16	D	1	1	Shipment data
0680	SG22	C	9999	2	Position data
0910	SG28	C	10	3	Reference details Position reference information
0930 25	DTM	O	1	4	Reference date

Standard			Implementation	
Name	Name	St Format	St Format	Usage / Remark
DTM				
C507	Date/time/period	M	M	
2005	Date or time or period function code qualifier	M an..3	M an..3	171 Reference date/time
2380	Date or time or period value	C an..35	R an..35	Document date of the referenced document
2379	Date or time or period format code	C an..3	R an..3	102 CCYYMMDD

Remark:

Date information to the previous RFF segment.

Example:

DTM+171:20180331:102'

Tag = Object-Name
 No. = Segment-Number in Guide
 MaxOcc = Max. Occurrence of Segment/Group
 Index = Index-Number of Segment/Group (in Standard)

St = Status
 EDIFACT: M=Mandatory, C=Conditional
 Usage: R=Required, O=Optional, D=Dependent, A=Advised,
 N=Not used

Segments

Index No.	Tag	St	MaxOcc	Level	Description
0520	SG16	D	1	1	Shipment data
0680	SG22	C	9999	2	Position data
0970	SG29	C	9999	3	Package identification
0980 26	PCI	M	1	3	Marking type

Standard			Implementation	
Name	Name	St Format	St Format	Usage / Remark
PCI				
4233	Marking instructions code	C an..3	C an..3	33E Marked with serial shipping container code (GS1 Temporary Code)

Remark:

This segment is used to specify which marking type was used and is required to specify consignment numbers.

Example:

PCI+33E'

LIN+1'

PCI+33E'

GIN+BJ+40045896486

Item 1 is included in the package with shipment number 40045896486

Tag = Object-Name
 No. = Segment-Number in Guide
 MaxOcc = Max. Occurrence of Segment/Group
 Index = Index-Number of Segment/Group (in Standard)

St = Status
 EDIFACT: M=Mandatory, C=Conditional
 Usage: R=Required, O=Optional, D=Dependent, A=Advised,
 N=Not used

Segments

Index No.	Tag	St	MaxOcc	Level	Description
0520	SG16	D	1	1	Shipment data
0680	SG22	C	9999	2	Position data
0970	SG29	C	9999	3	Package identification
1040	SG31	C	10	4	Goods identification
1050 27	GIN	M	1	4	Goods identity number

Standard			Implementation	
Name	Name	St Format	St Format	Usage / Remark
GIN				
7405	Object identification code qualifier	M an..3	M an..3	Shipment number type BJ Serial shipping container code
C208	Identity number range	M	M	
7402	Object identifier	M an..35	M an..35	Shipment number

Remark:

This segment is used to specify shipment numbers of a package.

Example:

GIN+BJ+40123456XY156'

The shipment number is 40123456XY156

Tag = Object-Name
 No. = Segment-Number in Guide
 MaxOcc = Max. Occurrence of Segment/Group
 Index = Index-Number of Segment/Group (in Standard)

St = Status
 EDIFACT: M=Mandatory, C=Conditional
 Usage: R=Required, O=Optional, D=Dependent, A=Advised,
 N=Not used

Segments

Index No.	Tag	St	MaxOcc	Level	Description
1100 28	UNT	M	1	0	Message trailer

Standard			Implementation	
Name	Name	St Format	St Format	Usage / Remark
UNT				
0074	Number of segments in the message	M n..6	M n..6	
0062	Message reference number	M an..14	M an..14	Unique message reference of the sender. Identical to DE 0062 in UNH.

Remark:

Segment counter

Example:

UNT+122+1'

The document consists of 122 segments

Tag = Object-Name
 No. = Segment-Number in Guide
 MaxOcc = Max. Occurrence of Segment/Group
 Index = Index-Number of Segment/Group (in Standard)

St = Status
 EDIFACT: M=Mandatory, C=Conditional
 Usage: R=Required, O=Optional, D=Dependent, A=Advised,
 N=Not used

Segments

Index	No.	Tag	St	MaxOcc	Level	Description
0000	29	UNZ	M	1	0	Interchange trailer

Standard			Implementation	
Name	Name	St Format	St Format	Usage / Remark
UNZ				
0036	Interchange control count	M n..6	M n..6	
0020	Interchange control reference	M an..14	M an..14	Unique data exchange reference number (file counter). Corresponds to the specification in UNB 0020.

Remark:

Example:

UNZ+1+2478239'

The message contains 1 document.

Tag = Object-Name

No. = Segment-Number in Guide

MaxOcc = Max. Occurrence of Segment/Group

Index = Index-Number of Segment/Group (in Standard)

St = Status

EDIFACT: M=Mandatory, C=Conditional

Usage: R=Required, O=Optional, D=Dependent, A=Advised,

N=Not used

Example

No.	Name	Example
1	UNA	UNA:+. ? ' '
2	UNB	UNB+UNOC:3+4399901793453:14+4041116000009:14:4139916000005+180521:1240+2478239++++DCC-FURN-V1.0.1' The sender of the message is 4399901793453, the recipient is 4041116000009. The message was created on 21/05/2018 at 12:40h and has the unique reference number 2478239.
3	UNH	UNH+1+RECADV:D:01B:UN:EAN001' This message is an Edifact RECADV.
4	BGM	BGM+632+WE47291+9' This document is a goods receipt message with document number WE47291.
5	DTM	DTM+137:20180521:102' The document was created on 21.05.2018.
6	DTM	DTM+50:20182005:102' The goods receipt took place on 21.05.2018
SG1		
7	RFF	RFF+AAK:LS47164' The goods receipt message references the delivery message LS47164
SG1		
8	RFF	RFF+ON:O-12732912' The customer's order number is O-12732912
9	DTM	DTM+171:20180514:102' The date of the referenced document is 14.05.2018.
SG4		
10	NAD	NAD+DP+8765432123456::9' NAD+DP++Hans Meyer+Musterstraße 1+Musterstadt+77777+DE' The shipping address is: Hans Meyer Sample street 1 77777 Musterstadt Germany The GLN of the goods recipient is 8765432123456
SG5		
11	RFF	RFF+GN:HRB-815632' The commercial register number is HRB-815632
SG6		
12	CTA	CTA+MGR+EK-23:Herr Schmidt' Contact person is Mr. Schmidt
13	COM	COM+0711/1234567:TE' The phone number is 0711/1234567
SG16		
14	CPS	CPS+1'
SG17		
15	PAC	PAC+1++201::9' Package: 1 pallet

No. = Segment-Number in Guide

Example

No.	Name	Example
16	QVR	QVR+-1:119++AT' The package was missing QVR+++DME The package was damaged
SG18		
17	PCI	PCI+33E' The package is marked with the shipping unit number
SG20		
18	GIN	GIN+BJ+40123456XY156' The shipment number is 40123456XY156
SG22		
19	LIN	LIN+1++4992343123456:SRV' Item position 1 with GTIN 4992343123456
20	PIA	PIA+5+PRD99887:SA::91' The number assigned by the supplier for this item is PRD99887
21	PIA	PIA+1+GRF22-A:IN::92' The item number assigned by the buyer for this item is GRF22-A
22	QTY	QTY+46:9:PCE' The delivered quantity is 9 pieces
23	QVR	QVR+-10:195+AF+DME' 10 damaged units are not accepted QVR+2:195+AC 2 units were delivered too much. They will not be accepted and will be returned.
SG28		
24	RFF	RFF+AAK:LI12314:5' The order item refers to item 5 of the shipping notification (DESADV) with the number LI12314
25	DTM	DTM+171:20180331:102'
SG29		
26	PCI	PCI+33E' LIN+1' PCI+33E' GIN+BJ+40045896486 Item 1 is included in the package with shipment number 40045896486
SG31		
27	GIN	GIN+BJ+40123456XY156' The shipment number is 40123456XY156
28	UNT	UNT+122+1' The document consists of 122 segments
29	UNZ	UNZ+1+2478239' The message contains 1 document.

No. = Segment-Number in Guide