



Changelog IDM Kitchen/Bathroom

Version 2.8.1

This Changelog describes all the new features, enhancements and corrections provided in the latest version **IDM 2.8.1** (in comparison with version 2.7.0) both in the XML scheme and in the documentation.

Version IDM 2.8.1 was released on 20.10.2021 and is valid from 1.1.2022.

Contents:

Sorting is based on the structure in the scheme from top to bottom

Decision of: Type Page
(Date)

Released	1. DETAIL_INFO				2
	1.1.	GUID below DETAIL_INFO is omitted	2020_06_17	R	2
	1.2.	HASH_VALUE under URL is mandatory	2020_06_17	C	3
	2. Item classification and Eco Mobilier				4
	2.1.	ECO_MOBILIER under ITEM is omitted	2020_06_17	R	4
	2.2.	E_CLASS under CLASSIFICATIONS is omitted	2020_06_17	R	4
	2.3.	New element CLASSIFICATION with new sub-elements	2020_06_17	A	5
	3. Text changes in the documentation				8
	3.1.	PRICE_FEATURE_GROUP	2019_02_20	C	8
	3.2.	New version 999 customer-specific motif	2020_06_17	A	9
3.3.	Values and tables for energy efficiency classes in line with current legislation	2021_09_29	C	10	

Unreleased*	1. Catalogue identification and versioning				11
	1.1.	New element CATALOG_ID under CATALOG_IDENTIFICATION	2021_09_29	A	11
	1.2.	CATALOG_YEAR under CATALOG deleted	2021_09_29	R	12
	1.3.	Move MAJOR_NO and FILE_RELEASE_DATE to after CATALOG_IDENTIFICATION	2021_09_29	C	12
	1.4.	New element MINOR_NO under CATALOG_IDENTIFICATION	2021_09_29	A	13
	1.5.	CATALOG_NUMBER under CATALOG deleted	2021_09_29	R	14
	2. Longer item numbers				15
2.2.	SUBCONTRACTOR_ITEM_NO increased to 25 figures	2021_09_29	C	15	

*Indication of any changes planned or partly decided for future versions.

A = Added = add new elements or attributes

C = Changed = changes to existing elements, attributes or descriptive texts

R = Removed = deletion of elements or attributes

F = Fixed = correction of errors to existing elements, attributes or descriptive texts



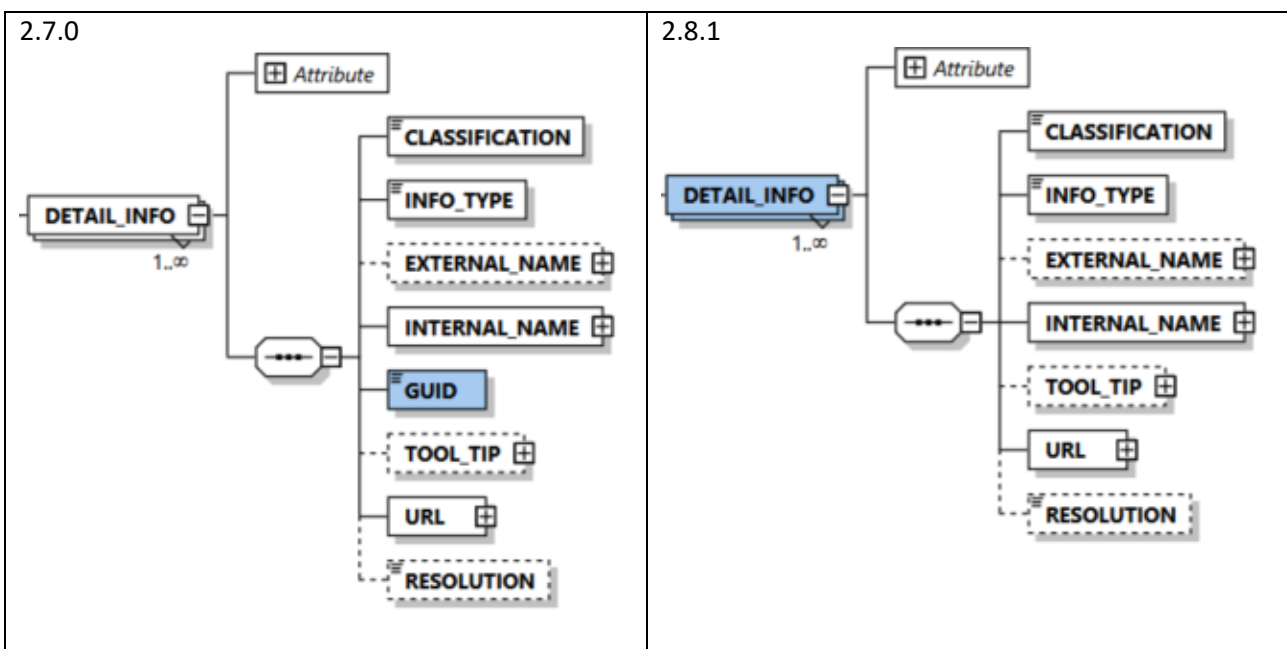
Released

Display of all changes noted for version 2.8.1

1. DETAIL_INFO

1.1. R GUID below DETAIL_INFO is omitted

Decision : 2020_06_17

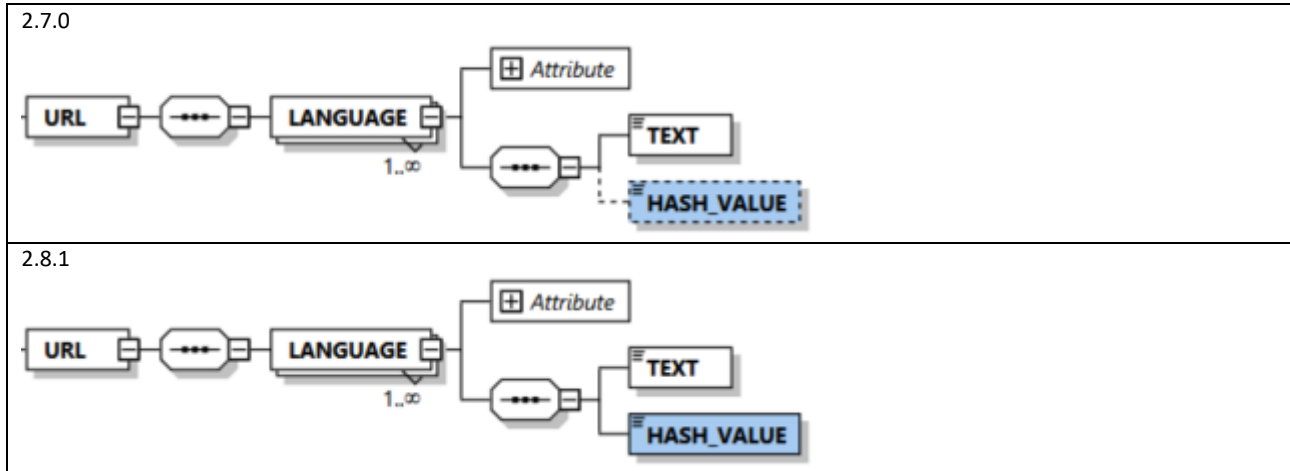


The GUID under DETAIL_INFO is omitted. Only the URL is specified.



1.2. C HASH_VALUE under URL is mandatory

Decision : 2020_06_17



The HASH_VALUE under the URL is mandatory.

```
<xs:element name="HASH_VALUE">  
  <xs:annotation base=".."/>  
  <xs:simpleType>  
    <xs:restriction base="xs:string">  
      <xs:minLength value="1"/>  
      <xs:maxLength value="64"/>  
    </xs:restriction>  
  </xs:simpleType>  
</xs:element>
```

A = Added = add new elements or attributes

C = Changed = changes to existing elements, attributes or descriptive texts

R = Removed = deletion of elements or attributes

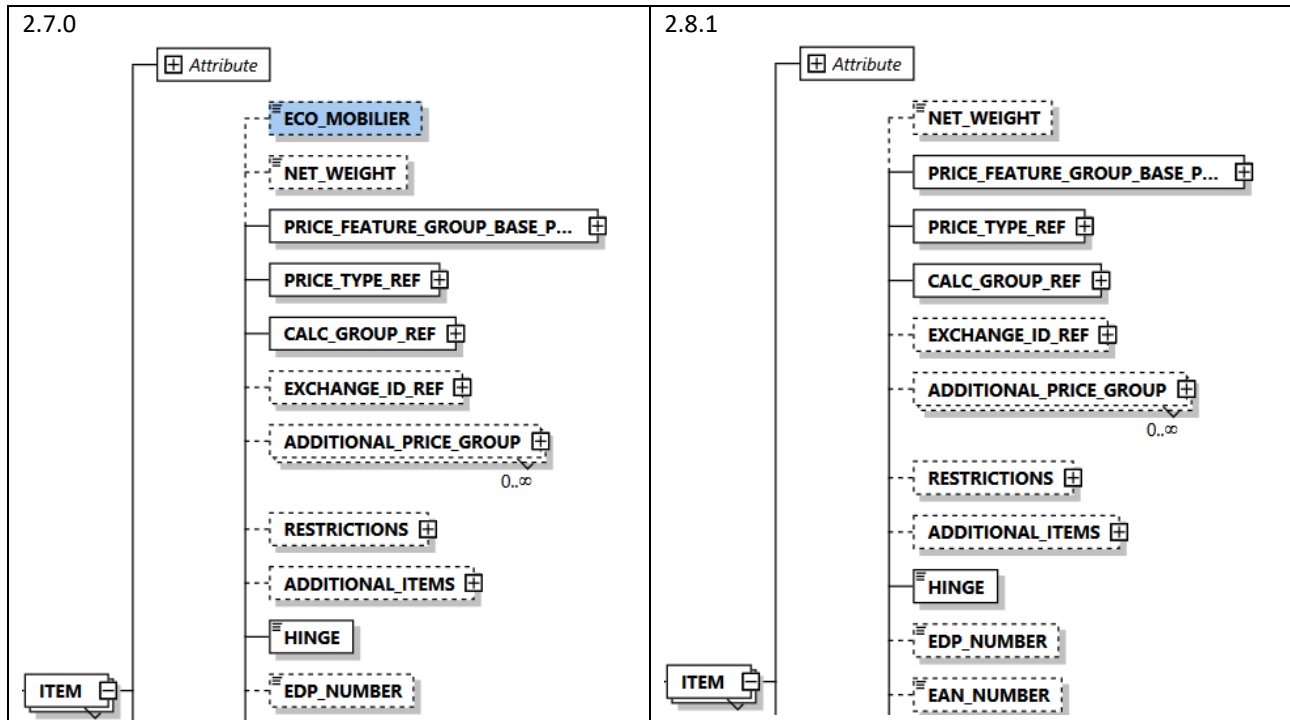
F = Fixed = correction of errors to existing elements, attributes or descriptive texts



2. Item classification and Eco Mobilier

2.1. R ECO_MOBILIER under ITEM is omitted

Decision : 2020_06_17

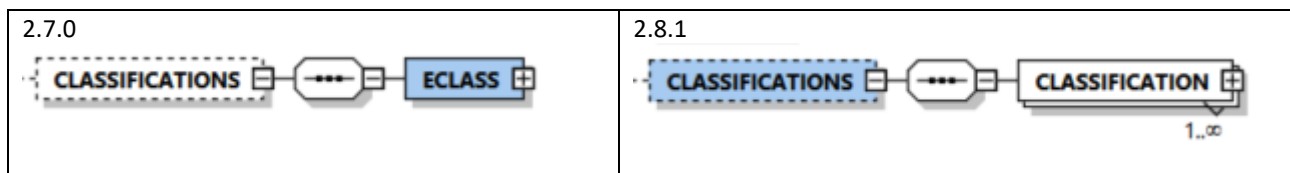


The element ECO_MOBILIER under ITEM is omitted.

As the specification of Eco Mobilier is equal to a classification scheme, in future it will be managed under CLASSIFICATIONS.

2.2. R E_CLASS under CLASSIFICATIONS is omitted

Decision : 2020_06_17



The element ECLASS under CLASSIFICATIONS is omitted.

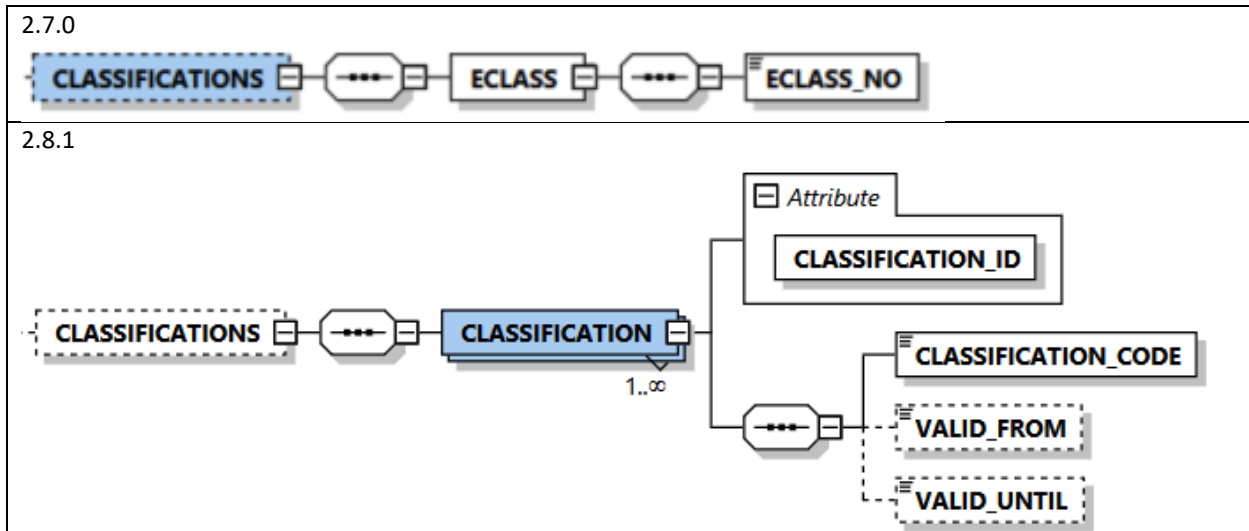
As eCl@ss is only one of many classification schemes, it is no longer defined in IDM as the only single classification. It is replaced by a general structure that is therefore valid for all schemes.

A = Added = add new elements or attributes

C = Changed = changes to existing elements, attributes or descriptive texts

R = Removed = deletion of elements or attributes

F = Fixed = correction of errors to existing elements, attributes or descriptive texts



The new element CLASSIFICATION was created under CLASSIFICATIONS. This can be created up to 10 times.

The new sub-elements and attributes are described in the following.

CLASSIFICATION:

Description in the documentation:

Standardised information on various classification schemes is stored in this element.

CLASSIFICATION_ID:

The attribute CLASSIFICATION_ID is under CLASSIFICATION and may contain a numeric value between 1 and 10. The documentations explains which ID stands for which classification scheme. This list may be added to in future versions.

Description in the documentation:

This element specifies the classification scheme. The values in the following list are available to choose from:

- | | |
|----|------------------------------------|
| ID | Classification scheme |
| 1 | eCl@ss |
| 2 | Begros organisation classification |
| 3 | VME organisation classification |
| 4 | Code Eco Mobilier |
| 5 | EEE eco system |
| 6 | Free classification scheme |

A = Added = add new elements or attributes

C = Changed = changes to existing elements, attributes or descriptive texts

R = Removed = deletion of elements or attributes

F = Fixed = correction of errors to existing elements, attributes or descriptive texts



- 7 Free classification scheme
- 8 Free classification scheme
- 9 Free classification scheme
- 10 Free classification scheme

If the scheme that is to be maintained is not in the list, then an ID from 6 is to be chosen for free classification scheme.

CLASSIFICATION_CODE :

The element CLASSIFICATION_CODE in the first place can be filled alphanumerically.

Description in the documentation:

This elements contains the code for the category of the classification scheme that is to be assigned to the ITEM.

VALID_FROM:

The element VALID_FROM in the second place is optional and depends on the data type date.

Description in the documentation:

This element indicates the date from which the classification specification is valid.

VALID_UNTIL:

The element VALID_UNTIL in the third place is optional and depends on the data type date.

Description in the documentation:

This element indicates the date until which the classification specification is valid.



```
<xs:element name="CLASSIFICATIONS" minOccurs="0">
  <xs:annotation>...</xs:annotation>
  <xs:complexType>
    <xs:sequence>
      <xs:element name="CLASSIFICATION" maxOccurs="10">
        <xs:annotation>...</xs:annotation>
        <xs:complexType>
          <xs:sequence>
            <xs:element name="CLASSIFICATION_CODE" type="xs:string">
              <xs:annotation>...</xs:annotation>
            </xs:element>
            <xs:element name="VALID_FROM" type="xs:date" minOccurs="0">
              <xs:annotation>...</xs:annotation>
            </xs:element>
            <xs:element name="VALID_UNTIL" type="xs:date" minOccurs="0">
              <xs:annotation>...</xs:annotation>
            </xs:element>
          </xs:sequence>
          <xs:attribute name="CLASSIFICATION_ID" use="required">
            <xs:annotation>...</xs:annotation>
            <xs:simpleType>
              <xs:restriction base="xs:positiveInteger">
                <xs:pattern value="([1-9]{1}|1[0]{2})"/>
              </xs:restriction>
            </xs:simpleType>
          </xs:attribute>
        </xs:complexType>
      </xs:element>
    </xs:sequence>
  </xs:complexType>
</xs:element>
```

A = Added = add new elements or attributes

C = Changed = changes to existing elements, attributes or descriptive texts

R = Removed = deletion of elements or attributes

F = Fixed = correction of errors to existing elements, attributes or descriptive texts



3. Text changes in the documentation

3.1. C PRICE_FEATURE_GROUP

Decision : 2020_02_20

2.7.0

This element is used to specify price control information. The PRICE_FEATURE_GROUP is used to control the conditions under which a price (e.g. feature combinations) applies.

The item references a price feature group, so the specific prices are also saved with the item.

The following rules apply to the price variant group or items:

A price group-neutral item has zero versions.

- Price group-dependent items are variant type 1 (range), which must be entered in FEATURE_NO_1, and optionally the variant types 101 (front colour 1) or 105 (front combination). If the variant type 101 or 105 is entered for at least one pricing in the element FINISH/OPTION_REF, then the corresponding value is to be entered in FEATURE_NO_2.
- Feature-dependent items have one or two features.
- An item must reference precisely one base price group (ADDITIONAL_PRICE=0).

Multiple PRICE_FEATURE_GROUPS with the same combination of version types are prohibited. For instance, there should only be one price variant group with the variant type handle version, and it should have pictures of everything in any way associated with the handle version.

2.8.1

This element is used to specify price control information. The PRICE_FEATURE_GROUP is used to control the conditions under which a price (e.g. variant combinations) applies.

The item references a price variant group, so the specific prices are also saved with the item.

The following rules apply to the price variant group or items:

- Price group-dependent items are variant type 1 (range), which must be entered in FEATURE_NO_1, and optionally the variant types 101 (front colour 1) or 105 (front combination). If the variant type 101 or 105 is entered for at least one pricing in the element FINISH/OPTION_REF, then the corresponding value is to be entered in FEATURE_NO_2.
- Variant-dependent items have one or two price-relevant variant types.
- An item must reference precisely one base price group (ADDITIONAL_PRICE=0).

The description of the PRICE_FEATURE_GROUP is adjusted accordingly following the decision by the working group.



2.7.0		
987	Colour miscellaneous 19	F
988	Type miscellaneous 20	A
989	Colour miscellaneous 20	F
999	Fixed material assignment	F

2.8.1		
987	Colour miscellaneous 19	F
988	Type miscellaneous 20	A
989	Colour miscellaneous 20	F
998	customer-specific motifs	
999	Fixed material assignment	F

Following the decision by the working group, the new variant type 998 was added for customer-specific motifs.



3.3. C Values and tables for energy efficiency classes in line with current legislation Decision: 2021_09_29

2.7.0			
Eigenschaft-Nr.	Bezeichnung	Beschreibung	Maßeinheit Wertangabe
Information für Waschmaschinen			
101	ENERGY_EFFICIENCY_CLASS	Energieeffizienzklasse gemäß Tabelle 1	A+++ ... D
Information für Geschirrspüler			
121	ENERGY_EFFICIENCY_CLASS	Energieeffizienzklasse gemäß Tabelle 3	A+++ ... D
Information für Wäschetrocknern			
142	ENERGY_EFFICIENCY_CLASS	Energieeffizienzklasse gemäß Tabelle 5	A+++ ... D
Information für Kühlgeräte			
181	ENERGY_EFFICIENCY_CLASS	Energieeffizienzklasse des Modells gemäß Tabelle 11	A+++ ... G
Information für elektrische Lampen und Leuchten			
240	ENERGY_EFFICIENCY_CLASS	die Energieeffizienzklasse gemäß Tabelle 18	A++ ... E
242	ENERGY_EFFICIENCY_CLASS_COMPATIBILITY	Energieeffizienzklassen der vom Nutzer austauschbaren Leuchten	A++ ... E
243	ENERGY_EFFICIENCY_CLASS_N_COMPATIBILITY	Energieeffizienzklassen von Lampen, mit denen die Leuchte kompatibel ist	A++ ... E
244	ENERGY_EFFICIENCY_CLASS_LED	Energieeffizienzklassen für LED-Module, die nicht dafür bestimmt sind	A++ ... E
245	ENERGY_EFFICIENCY_CLASS_INCLUDED	Energieeffizienzklassen für Leuchte, die mit Lampen betrieben werden	A++ ... E
Information für Fernsehgeräte			
260	ENERGY_EFFICIENCY_CLASS	Energieeffizienzklasse des Modells gemäß Tabelle 19	A+++ ... G
2.8.1			
Eigenschaft-Nr.	Bezeichnung	Beschreibung	Maßeinheit Wertangabe
Information für Waschmaschinen			
101	ENERGY_EFFICIENCY_CLASS	Energieeffizienzklasse gemäß Tabelle 1	A ... G
Information für Geschirrspüler			
121	ENERGY_EFFICIENCY_CLASS	Energieeffizienzklasse gemäß Tabelle 3	A ... G
Information für Wäschetrocknern			
142	ENERGY_EFFICIENCY_CLASS	Energieeffizienzklasse gemäß Tabelle 5	A ... G
Information für Kühlgeräte			
181	ENERGY_EFFICIENCY_CLASS	Energieeffizienzklasse des Modells gemäß Tabelle 11	A ... G
Information für elektrische Lampen und Leuchten			
240	ENERGY_EFFICIENCY_CLASS	die Energieeffizienzklasse gemäß Tabelle 18	A ... G
242	ENERGY_EFFICIENCY_CLASS_COMPATIBILITY	Energieeffizienzklassen der vom Nutzer austauschbaren Leuchten	A ... G
243	ENERGY_EFFICIENCY_CLASS_N_COMPATIBILITY	Energieeffizienzklassen von Lampen, mit denen die Leuchte kompatibel ist	A ... G
244	ENERGY_EFFICIENCY_CLASS_LED	Energieeffizienzklassen für LED-Module, die nicht dafür bestimmt sind	A ... G
245	ENERGY_EFFICIENCY_CLASS_INCLUDED	Energieeffizienzklassen für Leuchte, die mit Lampen betrieben werden	A ... G
Information für Fernsehgeräte			
260	ENERGY_EFFICIENCY_CLASS	Energieeffizienzklasse des Modells gemäß Tabelle 19	A ... G

The permitted values of "A+++...D", "A+++...G" and "A++...E" were changed to "A...G" in the information codes 101, 121, 142, 181, 240, 242, 243, 244, 245 and 260. The corresponding tables 1, 3, 5, 11, 18 and 19 have also been replaced by the tables in the new EU regulations.

A = Added = add new elements or attributes

C = Changed = changes to existing elements, attributes or descriptive texts

R = Removed = deletion of elements or attributes

F = Fixed = correction of errors to existing elements, attributes or descriptive texts

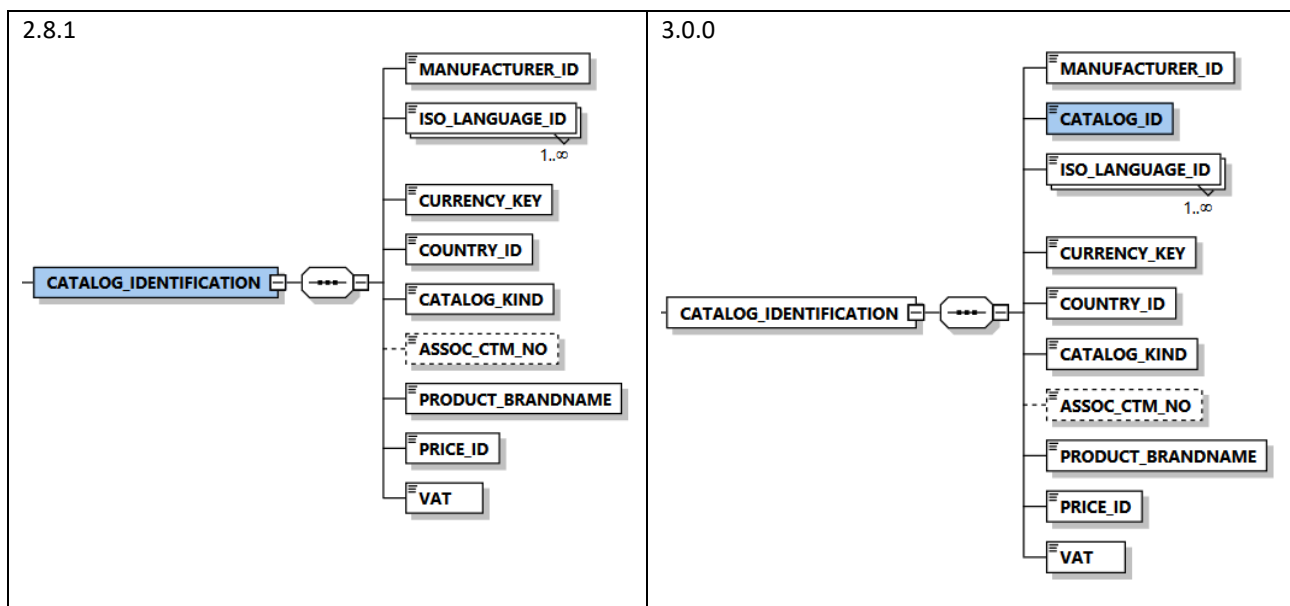


Unreleased

Display of all changes planned for version 2.9.0

1. Catalogue identification and versioning

1.1. A New element CATALOG_ID under CATALOG_IDENTIFICATION Decision: 2021_09_29



The element CATALOG_ID under CATALOG_IDENTIFICATION is mandatory with a maximum of 64 characters, and clearly identifies the catalogue together with the MANUFACTURER_ID.

Description in the documentation:

The manufacturer must enter a unique ID (e.g. GUID) that unequivocally identifies the catalogue here.

A manufacturer catalogue must always have the same ID for the same dealership.

```

<xs:element name="CATALOG_ID">
  <xs:annotation>...</xs:annotation>
  <xs:simpleType>
    <xs:restriction base="xs:string">
      <xs:minLength value="1"/>
      <xs:maxLength value="64"/>
    </xs:restriction>
  </xs:simpleType>
</xs:element>

```

A = Added = add new elements or attributes

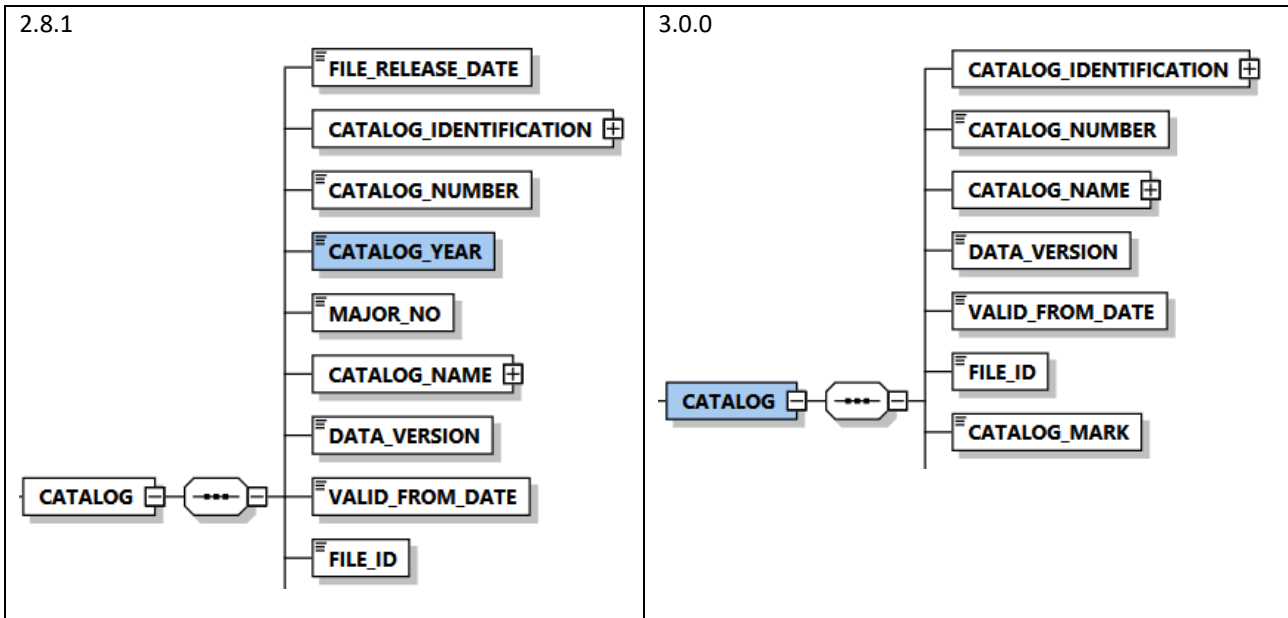
C = Changed = changes to existing elements, attributes or descriptive texts

R = Removed = deletion of elements or attributes

F = Fixed = correction of errors to existing elements, attributes or descriptive texts

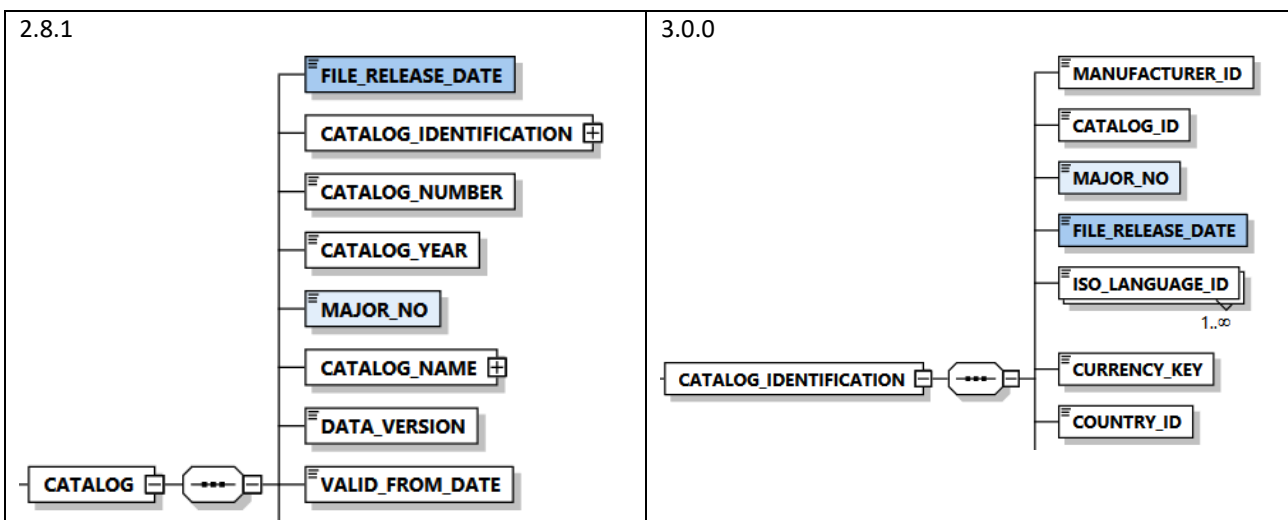


1.2. R CATALOG_YEAR under CATALOG deleted Decision: 2021_09_29



The element CATALOG_YEAR under CATALOG is omitted, It is replaced by the element MAJOR_NO under CATALOG_IDENTIFICATION.

1.3. C Move MAJOR_NO and FILE_RELEASE_DATE to after CATALOG_IDENTIFICATION Decision: 2021_09_29



The elements MAJOR_NO and FILE_RELEASE_DATE along with the new element MINOR_NO clearly indicate the catalogue version.

A = Added = add new elements or attributes

C = Changed = changes to existing elements, attributes or descriptive texts

R = Removed = deletion of elements or attributes

F = Fixed = correction of errors to existing elements, attributes or descriptive texts



The FILE_RELEASE_DATE is not changed.

MAJOR_NO:

The function of the existing element MAJOR_NO is changed. It now indicates the production year of the main catalogue.

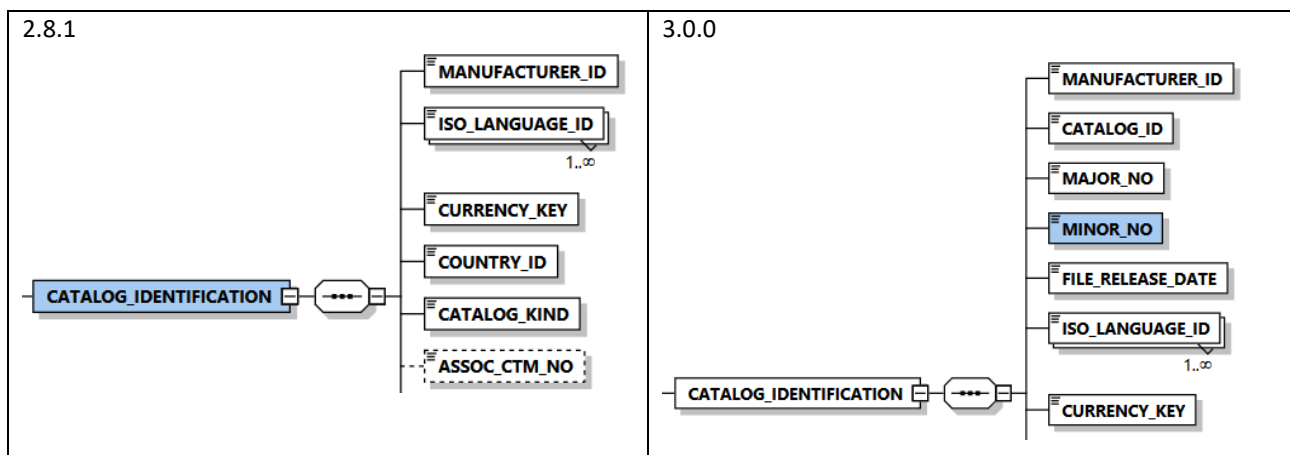
Description in the documentation:

The catalogue version number MAJOR_NO provides the year in which the main catalogue was produced. The complete information of the catalogue version in which a data pool is delivered consists of MAJOR and MINOR.

```
<xs:element name="MAJOR_NO">
  <xs:annotation> [...] </xs:annotation>
  <xs:simpleType>
    <xs:restriction base="xs:gYear"/>
  </xs:simpleType>
</xs:element>
<xs:element name="MINOR_NO"> [...] </xs:element>
<xs:element name="FILE_RELEASE_DATE" type="xs:dateTime">
  <xs:annotation> [...] </xs:annotation>
</xs:element>
```

1.4. A New element MINOR_NO under CATALOG_IDENTIFICATION

Decision: 2021_09_29



The element MINOR_NO is mandatory, and contains as the sub-version number serial numbers for every MAJOR_NO.

A = Added = add new elements or attributes

C = Changed = changes to existing elements, attributes or descriptive texts

R = Removed = deletion of elements or attributes

F = Fixed = correction of errors to existing elements, attributes or descriptive texts

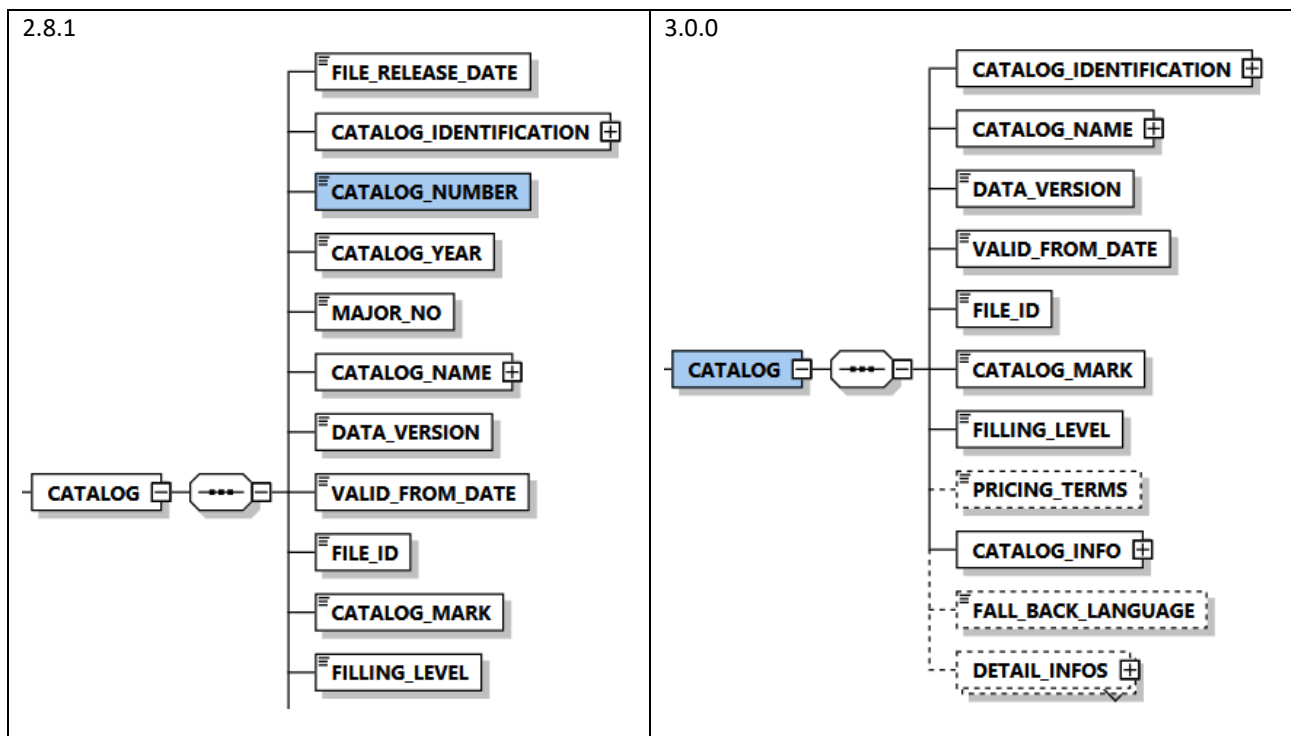


Description in the documentation:

The catalogue sub-version number MINOR_NO is given in serial numbers for the year or during the period the catalogue is valid. The full indication of the catalogue version in which a data pool is delivered consists of MAJOR and MINOR. If the catalogue version MAJOR is changed, the catalogue sub-version is reset to 0.

```
<xs:element name="MINOR_NO">
  <xs:annotation>...</xs:annotation>
  <xs:simpleType>
    <xs:restriction base="xs:nonNegativeInteger">
      <xs:minInclusive value="1"/>
      <xs:maxInclusive value="999"/>
    </xs:restriction>
  </xs:simpleType>
</xs:element>
```

1.5. R CATALOG_NUMBER under CATALOG deleted Decision: 2021_09_29



The element CATALOG_NUMBER under CATALOG is omitted,

A = Added = add new elements or attributes

C = Changed = changes to existing elements, attributes or descriptive texts

R = Removed = deletion of elements or attributes

F = Fixed = correction of errors to existing elements, attributes or descriptive texts



2. Longer item numbers

2.1. C SUBCONTRACTOR_ITEM_NO increased to 25 figures

Decision: 2021_09_29

2.8.1

```
<xs:element name="SUBCONTRACTOR_ITEM_NO" minOccurs="0">  
  <xs:annotation>...</xs:annotation>  
  <xs:simpleType>  
    <xs:restriction base="xs:string">  
      <xs:minLength value="1"/>  
      <xs:maxLength value="15"/>  
    </xs:restriction>  
  </xs:simpleType>  
</xs:element>
```

3.0.0

```
<xs:element name="SUBCONTRACTOR_ITEM_NO" minOccurs="0">  
  <xs:annotation>...</xs:annotation>  
  <xs:simpleType>  
    <xs:restriction base="xs:string">  
      <xs:minLength value="1"/>  
      <xs:maxLength value="25"/>  
    </xs:restriction>  
  </xs:simpleType>  
</xs:element>
```

The element SUBCONTRACTOR_ITEM_NO can only contain 25 characters.



Contact

Daten Competence Center e. V.

Goebenstraße 4-10

32052 Herford

Info: www.dcc-moebel.org

Dr.-Ing. Olaf Plümer

Email: pluemer@dcc-moebel.org

Tel.: +49 (0)5221/126537

Anika Degenhard

Email: degenhard@dcc-moebel.org

Tel.: +49 (0)5221/126538