



# Changelog IDM Merge Version 2.2.0

This Changelog describes all the new features, enhancements and corrections provided in the latest version **IDM Merge 2.2.0** (in comparison with version 2.1.1) both in the XML scheme and in the documentation.

The Version IDM Merge 2.2.0 was released on 2021-12-21 und wird gültig ab 2022-03-01.

## Contents:

*Sorting is based on the structure in the scheme from top to bottom*

Decision of:    Type    Page  
(Date)

Released	<b>1. Catalogue identification</b>				2
	1.1.	New element CATALOG_IDENTIFICATION	2021-03-23	C	2
	1.2.	GLN_NO shifted	2021-03-23	C	3
	1.3.	GLN_NO	2021-06-09	C	4
	<b>2. Organising the detailed information</b>				5
	2.1.	New attribute SEQUENCE_NO under DETAIL_INFO_REF below CATALOG	2020-06-16	A	5
	2.2.	New attribute SEQUENCE_NO under DETAIL_INFO_REF below NODE	2020-06-16	A	6
	<b>3. Protected spaces on regular printouts</b>				7
	3.1.	Changed pattern for global complexType languagetext30	2021-06-09	F	7
	3.2.	Changed pattern for global complexType languagetext40	2021-06-09	F	8
	<b>4. Text changes in the documentation IDM Merge</b>				9
	4.1.	Validity of multi-manufacturer catalogues	2019-09-05	C	9
	4.2.	Referencing to the latest version of the manufacturer catalogue	2019-09-05	C	9
	4.3.	Recommended size of images of typical settings 2048x2048	2021-03-23	C	10

A = Added = add new elements or attributes

C = Changed = changes to existing elements, attributes or descriptive texts

R = Removed = deletion of elements or attributes

F = Fixed = correction of errors to existing elements, attributes or descriptive texts

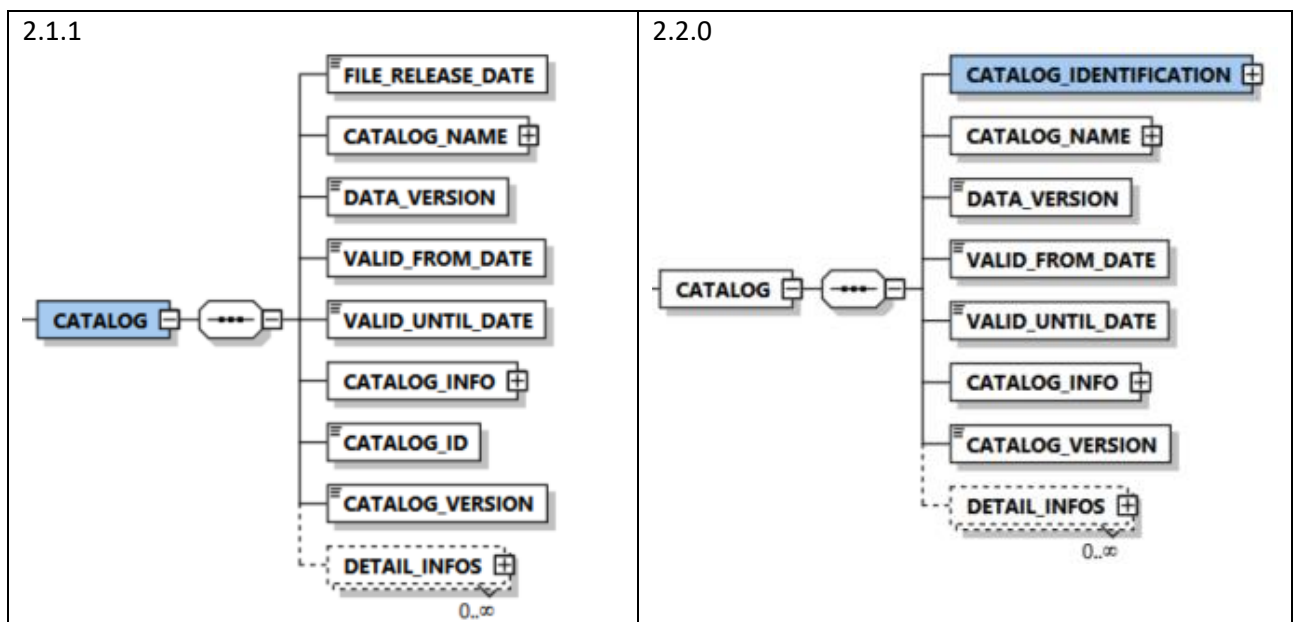


# Released

Display of all changes noted for version 2.2.0

## 1. Catalogue identification

1.1. A New element CATALOG\_IDENTIFICATION Decision : 2021-03-23



In position 1 under CATALOG is the new element CATALOG\_IDENTIFICATION as a complex type and mandatory field.

```

<xs:element name="CATALOG_IDENTIFICATION">
  <xs:annotation>...</xs:annotation>
  <xs:complexType>
    <xs:sequence>
      <xs:element name="GLN_NO">...</xs:element>
      <xs:element name="CATALOG_ID">...</xs:element>
      <xs:element name="FILE_RELEASE_DATE" type="xs:dateTime">...</xs:element>
    </xs:sequence>
  </xs:complexType>
</xs:element>

```

Description in the documentation:

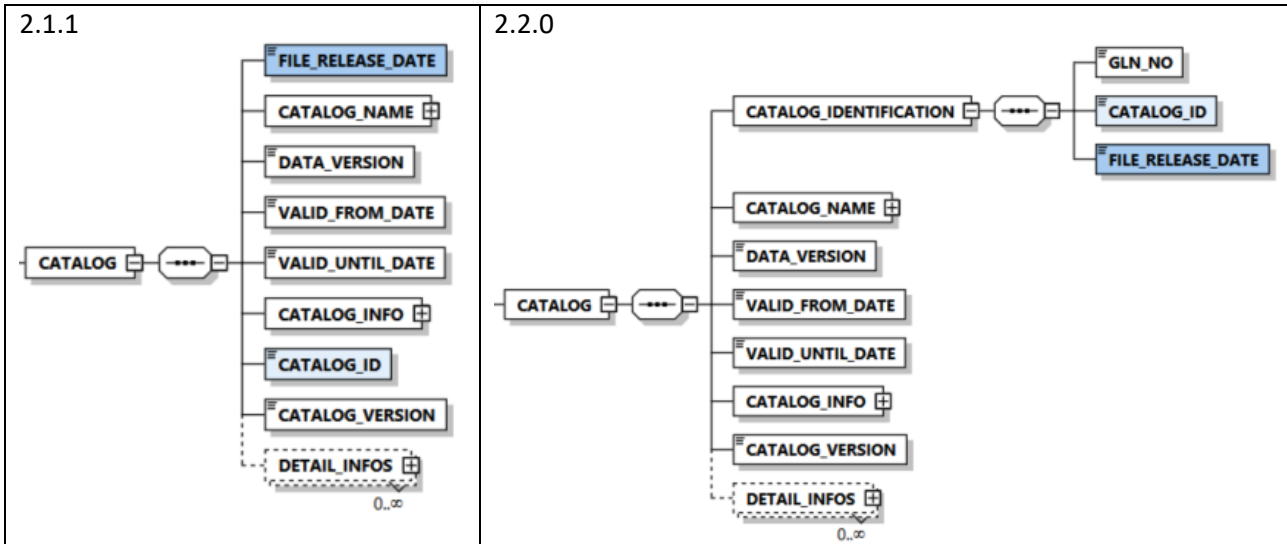
Identifying features of the multi-manufacturer catalog are stored in this element. If the content of these elements differs from the base file in an updated catalogue, it is not possible to update the existing catalogue.

A = Added = add new elements or attributes

C = Changed = changes to existing elements, attributes or descriptive texts

R = Removed = deletion of elements or attributes

F = Fixed = correction of errors to existing elements, attributes or descriptive texts



Because the CATALOG\_ID and FILE\_RELEASE\_DATE are used for catalog identification and versioning, they are moved from their position below CATALOG one level down below CATALOG\_IDENTIFICATION. They are located at positions 2 and 3 and are unchanged in terms of content.

```

<xs:element name="CATALOG_IDENTIFICATION">
  <xs:annotation>...</xs:annotation>
  <xs:complexType>
    <xs:sequence>
      <xs:element name="GLN_NO">...</xs:element>
      <xs:element name="CATALOG_ID">
        <xs:annotation>...</xs:annotation>
        <xs:simpleType>
          <xs:restriction base="xs:string">
            <xs:minLength value="1"/>
            <xs:maxLength value="64"/>
          </xs:restriction>
        </xs:simpleType>
      </xs:element>
      <xs:element name="FILE_RELEASE_DATE" type="xs:dateTime">
        <xs:annotation>...</xs:annotation>
      </xs:element>
    </xs:sequence>
  </xs:complexType>
</xs:element>

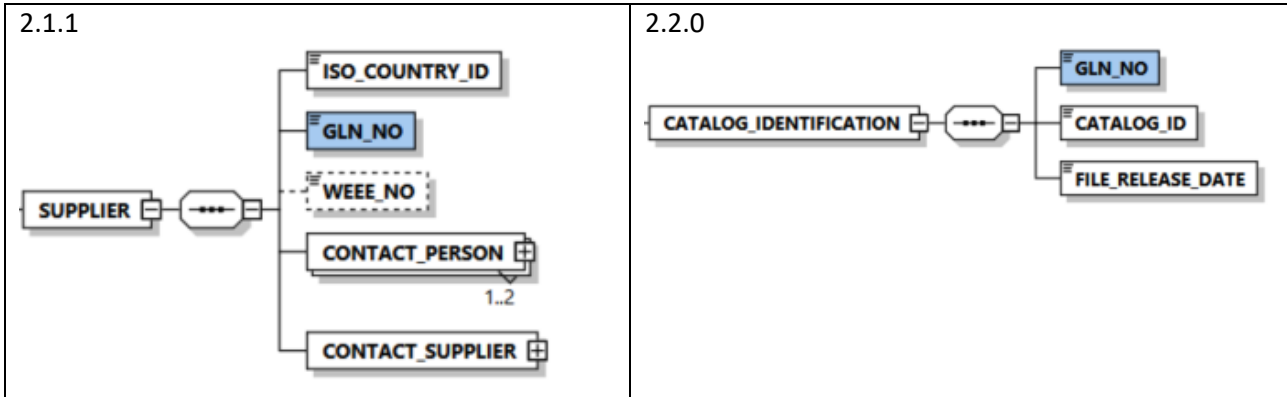
```

A = Added = add new elements or attributes

C = Changed = changes to existing elements, attributes or descriptive texts

R = Removed = deletion of elements or attributes

F = Fixed = correction of errors to existing elements, attributes or descriptive texts



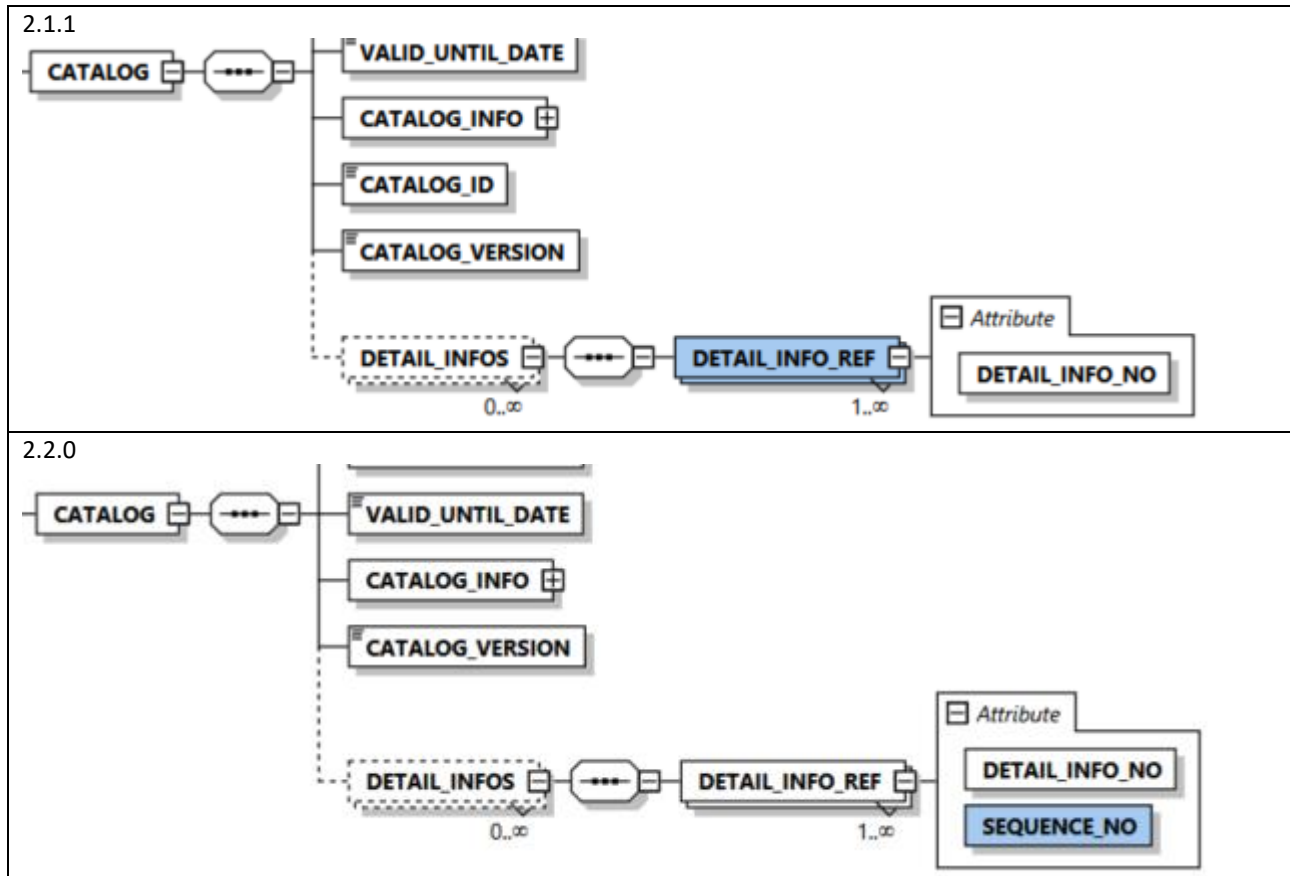
The content of the GLN\_NO remains identical. The element is now in position 1 under CATALOG -> CATALOG\_IDENTIFICATION, and is mandatory. It is omitted under SUPPLIER.

```
<xs:element name="CATALOG_IDENTIFICATION">
  <xs:annotation base="..." />
  <xs:complexType>
    <xs:sequence>
      <xs:element name="GLN_NO">
        <xs:annotation base="..." />
        <xs:simpleType>
          <xs:restriction base="xs:string">
            <xs:pattern value="(0-9){13}" />
          </xs:restriction>
        </xs:simpleType>
      </xs:element>
      <xs:element name="CATALOG_ID" type="..." />
      <xs:element name="FILE_RELEASE_DATE" type="xs:dateTime" type="..." />
    </xs:sequence>
  </xs:complexType>
</xs:element>
```



## 2. Organising the detailed information

2.1. A New attribute SEQUENCE\_NO under DETAIL\_INFO\_REF Decision : 2020-06-16  
below CATALOG



The new attribute SEQUENCE\_NO, which is mandatory and has the data type positive integer, is under DETAIL\_INFO\_REF below CATALOG.

```
<xs:attribute name="SEQUENCE_NO" use="required">
  <xs:annotation>...</xs:annotation>
  <xs:simpleType>
    <xs:restriction base="xs:positiveInteger"/>
  </xs:simpleType>
</xs:attribute>
```

Description in the documentation:

This attribute allows for the specification of detailed information for the catalogue with a freely defined sorting order.

A = Added = add new elements or attributes

C = Changed = changes to existing elements, attributes or descriptive texts

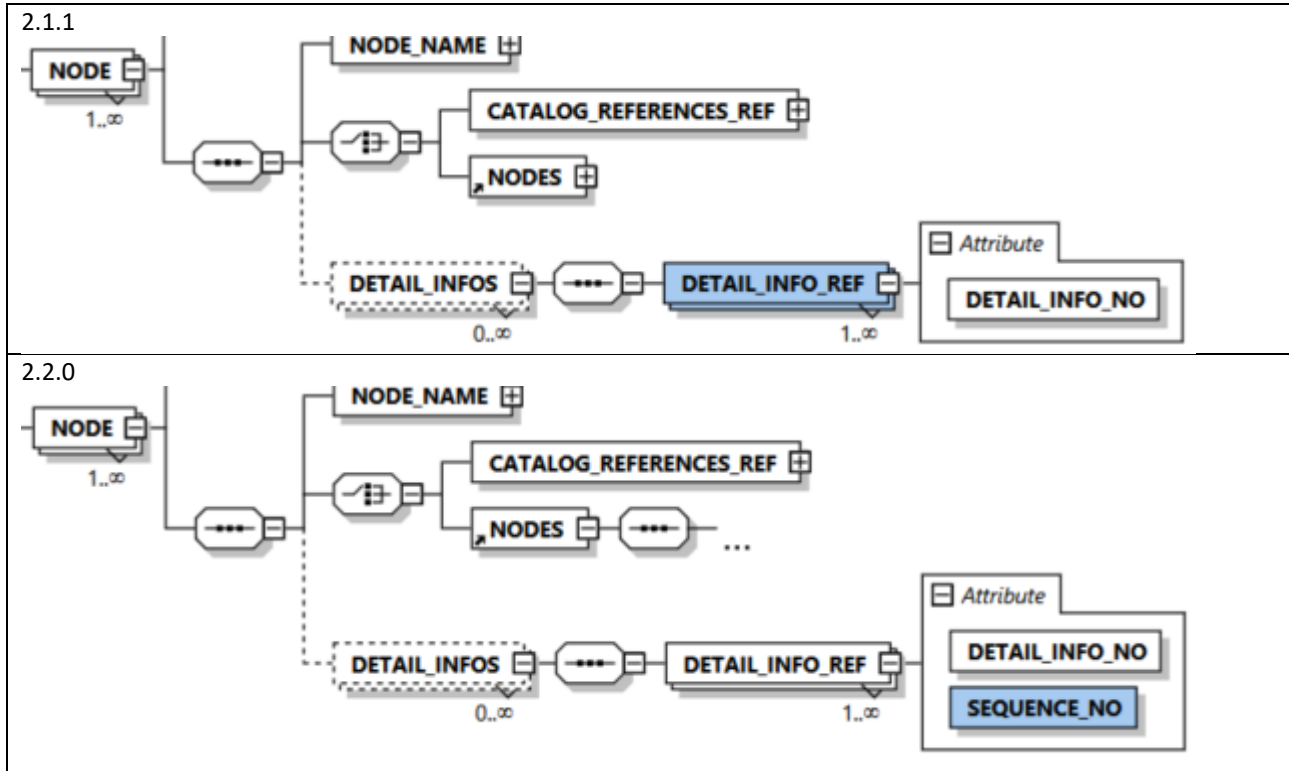
R = Removed = deletion of elements or attributes

F = Fixed = correction of errors to existing elements, attributes or descriptive texts



2.2. A New attribute SEQUENCE\_NO under DETAIL\_INFO\_REF below NODE

Decision : 2020-06-16



The new attribute SEQUENCE\_NO, which is mandatory and has the data type positive integer, is under DETAIL\_INFO\_REF below NODE.

```
<xs:attribute name="SEQUENCE_NO" use="required">
  <xs:annotation>...</xs:annotation>
  <xs:simpleType>
    <xs:restriction base="xs:positiveInteger"/>
  </xs:simpleType>
</xs:attribute>
```

Description in the documentation:

This attribute allows for the specification of detailed information with a freely-defined sorting order.

A = Added = add new elements or attributes

C = Changed = changes to existing elements, attributes or descriptive texts

R = Removed = deletion of elements or attributes

F = Fixed = correction of errors to existing elements, attributes or descriptive texts



### 3. Protected spaces on regular printouts

3.1. F Changed pattern for global complexType languagetext30

Decision : 2021-06-09

2.1.1

```
<xs:complexType name="languagetext30">
  <xs:annotation>...</xs:annotation>
  <xs:sequence>
    <xs:element name="LANGUAGE" maxOccurs="unbounded">
      <xs:complexType>
        <xs:sequence>
          <xs:element name="TEXT">
            <xs:simpleType>
              <xs:restriction base="xs:string">
                <xs:pattern value="\S ]{1,30}" />
              </xs:restriction>
            </xs:simpleType>
          </xs:element>
        </xs:sequence>
        <xs:attribute name="ISO_LANGUAGE_ID" use="required">
          <xs:simpleType>
            <xs:restriction base="xs:language">
              <xs:pattern value="[A-Z]{2}" />
            </xs:restriction>
          </xs:simpleType>
        </xs:attribute>
      </xs:complexType>
    </xs:element>
  </xs:sequence>
</xs:complexType>
```

2.2.0

```
<xs:complexType name="languagetext30">
  <xs:annotation>...</xs:annotation>
  <xs:sequence>
    <xs:element name="LANGUAGE" maxOccurs="unbounded">
      <xs:complexType>
        <xs:sequence>
          <xs:element name="TEXT">
            <xs:simpleType>
              <xs:restriction base="xs:string">
                <xs:pattern value="[\p{L}\p{N}\p{P}\p{S}][\p{L}\p{N}\p{P}\p{S} ]{1,30}" />
              </xs:restriction>
            </xs:simpleType>
          </xs:element>
        </xs:sequence>
        <xs:attribute name="ISO_LANGUAGE_ID" use="required">
          <xs:simpleType>
            <xs:restriction base="xs:language">
              <xs:pattern value="[A-Z]{2}" />
            </xs:restriction>
          </xs:simpleType>
        </xs:attribute>
      </xs:complexType>
    </xs:element>
  </xs:sequence>
</xs:complexType>
```

As \S was interpreted differently, another regular expression was chosen. The new pattern now allows clearly protected spaces in languagetext30.

A = Added = add new elements or attributes

C = Changed = changes to existing elements, attributes or descriptive texts

R = Removed = deletion of elements or attributes

F = Fixed = correction of errors to existing elements, attributes or descriptive texts



## 2.1.1

```
<xs:complexType name="languagetext40">
  <xs:annotation>[...]</xs:annotation>
  <xs:sequence>
    <xs:element name="LANGUAGE" maxOccurs="unbounded">
      <xs:complexType>
        <xs:sequence>
          <xs:element name="TEXT">
            <xs:simpleType>
              <xs:restriction base="xs:string">
                <xs:pattern value="\S ){1,40}" />
              </xs:restriction>
            </xs:simpleType>
          </xs:element>
        </xs:sequence>
        <xs:attribute name="ISO_LANGUAGE_ID" use="required">
          <xs:simpleType>
            <xs:restriction base="xs:language">
              <xs:pattern value="[A-Z]{2}" />
            </xs:restriction>
          </xs:simpleType>
        </xs:attribute>
      </xs:complexType>
    </xs:element>
  </xs:sequence>
</xs:complexType>
```

## 2.2.0

```
<xs:complexType name="languagetext40">
  <xs:annotation>[...]</xs:annotation>
  <xs:sequence>
    <xs:element name="LANGUAGE" maxOccurs="unbounded">
      <xs:complexType>
        <xs:sequence>
          <xs:element name="TEXT">
            <xs:simpleType>
              <xs:restriction base="xs:string">
                <xs:pattern value="[\p{L}\p{N}\p{P}\p{S}][\p{L}\p{N}\p{P}\p{S} ]{1,40}" />
              </xs:restriction>
            </xs:simpleType>
          </xs:element>
        </xs:sequence>
        <xs:attribute name="ISO_LANGUAGE_ID" use="required">
          <xs:simpleType>
            <xs:restriction base="xs:language">
              <xs:pattern value="[A-Z]{2}" />
            </xs:restriction>
          </xs:simpleType>
        </xs:attribute>
      </xs:complexType>
    </xs:element>
  </xs:sequence>
</xs:complexType>
```

As \S was interpreted differently, another regular expression was chosen. The new pattern now allows clearly protected spaces in languagetext40.

A = Added = add new elements or attributes

C = Changed = changes to existing elements, attributes or descriptive texts

R = Removed = deletion of elements or attributes

F = Fixed = correction of errors to existing elements, attributes or descriptive texts





## 4. Text changes in the documentation IDM Merge

### 4.1. C Validity of multi-manufacturer catalogues

Decision : 2019-09-05

Description on the element VALID\_FROM\_DATE:

#### 2.1.1

The element is used to specify the validity period start date of the multi-manufacturer catalogue.

#### 2.2.0

The element is used to specify the validity period start date of the multi-manufacturer catalogue.

The period of validity specified for a multi-manufacturer catalog applies to the compilation, it does not refer to an individual catalog contained in the compilation if this is used for planning as an individual catalogue.

Description on the element VALID\_UNTIL\_DATE:

#### 2.1.1

The element is used to specify the validity period expiry date of the multi-manufacturer catalogue.

#### 2.2.0

The element is used to specify the validity period expiry date of the multi-manufacturer catalogue.

The period of validity specified for a multi-manufacturer catalog applies to the compilation, it does not refer to an individual catalog contained in the compilation if this is used for planning as an individual catalogue.

### 4.2. C Referencing to the latest version of the manufacturer catalogue

Decision : 2019-09-05

Description on the element CATALOG\_REFERENCES:

#### 2.1.1

This element is used to reference the manufacturer catalogues.

#### 2.2.0

This element is used to reference the manufacturer catalogues.

If there are several versions of a manufacturer catalogue, the latest version is always referenced.



Description on the element INFO\_TYPE:

2.1.1

This element is here to describe the type of detailed information.

The values of the available info types can be found in the corresponding table in the introduction.

2.2.0

This element is here to describe the type of detailed information.

The values of the available info types can be found in the corresponding table in the introduction.

An image size of 2048x2048px is recommended for images of typical settings (INFO\_TYPE = 1).



## Contakt

### Daten Competence Center e. V.

Goebenstraße 4-10

32052 Herford

Info: [www.dcc-moebel.org](http://www.dcc-moebel.org)

Dr.-Ing. Olaf Plümer

E-Mail: [pluemer@dcc-moebel.org](mailto:pluemer@dcc-moebel.org)

Tel.: +49 52 21 / 12 65-37

Anika Degenhard

E-Mail: [degenhard@dcc-moebel.org](mailto:degenhard@dcc-moebel.org)

Tel.: +49 52 21 / 12 65 - 38